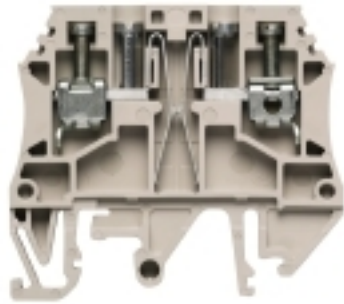


**W-Series
WTL 4/2 STB**

Weidmüller Interface GmbH & Co. KG
Klingenbergstraße 16
D-32758 Detmold
Germany
Fon: +49 5231 1429-0
Fax: +49 5231 14292083
www.weidmueller.com

**Current and voltage transformer wiring**

Our test disconnect terminal blocks featuring spring and screw connection technology allow you to create all the important converter circuits for measuring current, voltage and power in a safe and sophisticated way.

General ordering data

Type	WTL 4/2 STB
Order No.	1881650000
Version	Test-disconnect terminal, Screw connection, 4 mm ² , 500 V, 10 A, pluggable, Dark Beige
GTIN (EAN)	4032248484041
Qty.	50 pc(s).

**W-Series
WTL 4/2 STB**

Weidmüller Interface GmbH & Co. KG
 Klingenbergstraße 16
 D-32758 Detmold
 Germany
 Fon: +49 5231 1429-0
 Fax: +49 5231 14292083
 www.weidmueller.com

Technical data**Dimensions and weights**

Width	6 mm	Width (inches)	0.236 inch
Height	56.5 mm	Height (inches)	2.224 inch
Depth	48.5 mm	Depth (inches)	1.909 inch
Depth including DIN rail	50 mm	Net weight	13.45 g

Temperatures

Continuous operating temp., min.	-50 °C	Continuous operating temp., max.	120 °C
----------------------------------	--------	----------------------------------	--------

Material data

Material	Wemid	Colour	Dark Beige
UL 94 flammability rating	V-0		

System specifications

Version	Screw connection, Disconnection element, One end without connector	End cover plate required	Yes
Number of potentials	1	Number of levels	1
No. of clamping points per level	2	Number of potentials per tier	1
Levels cross-connected internally	No	PE connection	No
Mounting rail	TS 35	N-function	No
PE function	No	PEN function	No

Additional technical data

Open sides	Open	Type of mounting	Snap-on
------------	------	------------------	---------

CSA rating data

Certificate No. (CSA)	200039-1057876	Current size C (CSA)	8 A
Voltage size C (CSA)	150 V	Wire cross section max. (CSA)	10 AWG
Wire cross section min. (CSA)	26 AWG		

Conductors for clamping (rated connection)

Blade size	0.6 x 3.5 mm	Clamping range, rated connection, max.	6 mm ²
Clamping range, rated connection, min.	0.13 mm ²	Clamping screw	M 3
Connection direction	on side	Gauge to IEC 60947-1	A4
Number of connections	2	Stripping length	10 mm
Tightening torque, max.	0.8 Nm	Tightening torque, min.	0.5 Nm
Torque level with DMS electric screwdriver	2	Type of connection	Screw connection
Wire connection cross section, finely stranded with wire-end ferrules DIN 46228/1, rated connection, max.	4 mm ²	Wire connection cross section, finely stranded with wire-end ferrules DIN 46228/1, rated connection, min.	0.5 mm ²
Wire connection cross section, finely stranded, max.	6 mm ²	Wire connection cross section, solid core max. rated connection	6 mm ²
Wire connection cross section, solid core, min. rated connection	0.5 mm ²	Wire connection cross section, stranded, rated connection, max.	6 mm ²
Wire connection cross section, stranded, rated connection, min.	1.5 mm ²	Wire connection cross-section, finely stranded, min.	0.5 mm ²

W-Series WTL 4/2 STB

Weidmüller Interface GmbH & Co. KG
 Klingenbergstraße 16
 D-32758 Detmold
 Germany
 Fon: +49 5231 1429-0
 Fax: +49 5231 14292083
 www.weidmueller.com

Technical data

Dimensions

TS 35 offset 28 mm

Disconnect terminals

Cross-disconnect	without	Integral test socket	Yes
Slitting	pluggable		

Rating data

Rated cross-section	4 mm ²	Rated voltage	500 V
Rated current	10 A	Current at maximum wires	11 A
Volume resistance according to IEC 60947-7-x	1 mΩ	Rated impulse withstand voltage	6 kV
Pollution severity	3		

UL rating data

Certificate No. (cURus)	E60693	Conductor size Factory wiring max. (cURus)	10 AWG
Conductor size Factory wiring min. (cURus)	26 AWG	Conductor size Field wiring max. (cURus)	10 AWG
Conductor size Field wiring min. (cURus)	26 AWG	Current size D (cURus)	8 A
Voltage size D (cURus)	300 V	Wire cross section max. (cURus)	10 AWG
Wire cross section min. (cURus)	26 AWG		

Classifications

ETIM 3.0	EC000902	ETIM 4.0	EC000902
ETIM 5.0	EC000902	ETIM 6.0	EC000902
UNSPSC	30-21-18-11	eClass 5.1	27-14-11-26
eClass 6.2	27-14-11-26	eClass 7.1	27-14-11-26
eClass 8.1	27-14-11-26	eClass 9.0	27-14-11-26
eClass 9.1	27-14-11-26		

Product information

Descriptive text technical data	2 wires can be connected; similar to the WDU 4N.
Descriptive text accessories	WTA 8-series test adapter, WQV external cross-connector, end bracket and shield bus LS 2.8, refer to "Accessories".

Approvals

Approvals



ROHS Conform

Downloads

Approval/Certificate/Document of Conformity	DE_PT1004_20160418_979_ISSUE01.pdf
Brochure/Catalogue	CAT 1 TERM 16/17 EN
Engineering Data	EPLAN, WSCAD, Zuken E3.S

Creation date October 4, 2017 5:55:02 PM CEST

Data sheet

W-Series
WTL 4/2 STB

Weidmüller Interface GmbH & Co. KG
Klingenbergstraße 16
D-32758 Detmold
Germany
Fon: +49 5231 1429-0
Fax: +49 5231 14292083
www.weidmueller.com

Technical data

Safety note

Safety notice

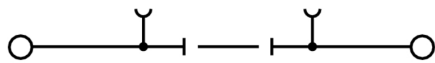
[Safety Information](#)

Data sheet

W-Series
WTL 4/2 STB

Weidmüller Interface GmbH & Co. KG
Klingenbergstraße 16
D-32758 Detmold
Germany
Fon: +49 5231 1429-0
Fax: +49 5231 14292083
www.weidmueller.com

Drawings



**W-Series
WTL 4/2 STB**

Weidmüller Interface GmbH & Co. KG
 Klingenbergstraße 16
 D-32758 Detmold
 Germany
 Fon: +49 5231 1429-0
 Fax: +49 5231 14292083
 www.weidmueller.com

Accessories

End brackets



Klippon® Connect with clamping yoke Technology
 The high reliability and variety of designs of the terminal blocks with clamping yoke connections make planning easier and optimises operational safety. Klippon® Connect provides a proven response to a range of different requirements.

General ordering data

Type	Order No.	Version	GTIN (EAN)	Qty.
WEW 35/2	1061200000	W-Series, End bracket	4008190030230	100 pc(s).

End plates



Current and voltage transformer wiring
 Our test disconnect terminal blocks featuring spring and screw connection technology allow you to create all the important converter circuits for measuring current, voltage and power in a safe and sophisticated way.

General ordering data

Type	Order No.	Version	GTIN (EAN)	Qty.
WAP WTL4/2	1881640000	W-Series, End plate	4032248484034	50 pc(s).

Markers



Extensive range of accessories for the FieldPower® boxes.
 Cable seals, plug-in connectors, locking elements and much more.

General ordering data

Type	Order No.	Version	GTIN (EAN)	Qty.
WS 12/6 MC	1609900000	WS, Terminal marker, 12 x 6 mm, Pitch in mm (P): 6.00	4008190203467	600 pc(s).
NE WS		Weidmueller, Allen-Bradley, White		

**W-Series
WTL 4/2 STB**

Weidmüller Interface GmbH & Co. KG
 Klingenbergstraße 16
 D-32758 Detmold
 Germany
 Fon: +49 5231 1429-0
 Fax: +49 5231 14292083
 www.weidmueller.com

Accessories

Test adapter



Klippon® Connect with clamping yoke Technology
 The high reliability and variety of designs of the terminal blocks with clamping yoke connections make planning easier and optimises operational safety. Klippon® Connect provides a proven response to a range of different requirements.

General ordering data

Available until	Type	Order No.	Version	GTIN (EAN)	Qty.
2016-09-01	WTA 8 KO-TN	1915510000	W-Series, Test adapter	4032248548088	25 pc(s).
2016-09-01	WTA 8 KO-TN	1915520000	W-Series, Test adapter	4032248548095	25 pc(s).
	WTA 8 KO-TN	1915480000	W-Series, Test adapter	4032248548057	25 pc(s).
2012-10-31	WTA 8 KO-TN	1915450000	W-Series, Test adapter	4032248548026	25 pc(s).
2016-09-01	WTA 8 KO-TN	1915470000	W-Series, Test adapter	4032248548040	25 pc(s).
2016-09-01	WTA 8 KO-TN	1915500000	W-Series, Test adapter	4032248548071	25 pc(s).