



**180-122 (06)**  
**GHD • Glenair High Density**  
**Fiber Optic Connection System**  
**D38999 Style Plug Connector with Alignment Sleeve Retainer (ASR)**



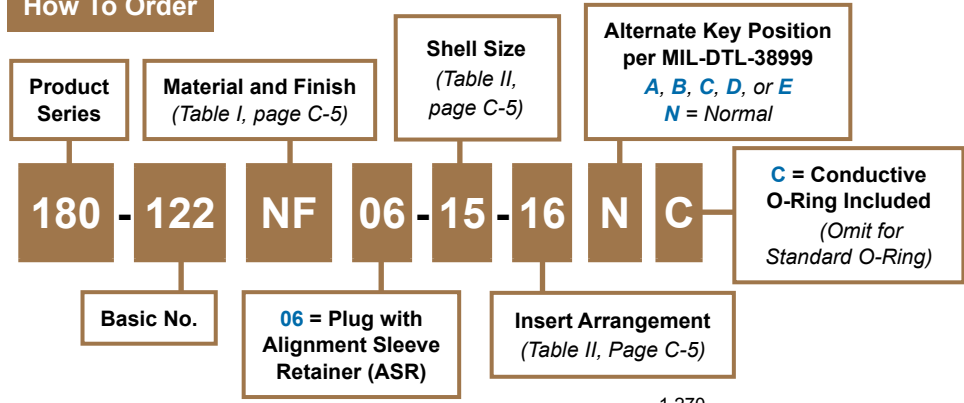
**GHD Plug connector with removable alignment sleeve retainer (ASR)**

C

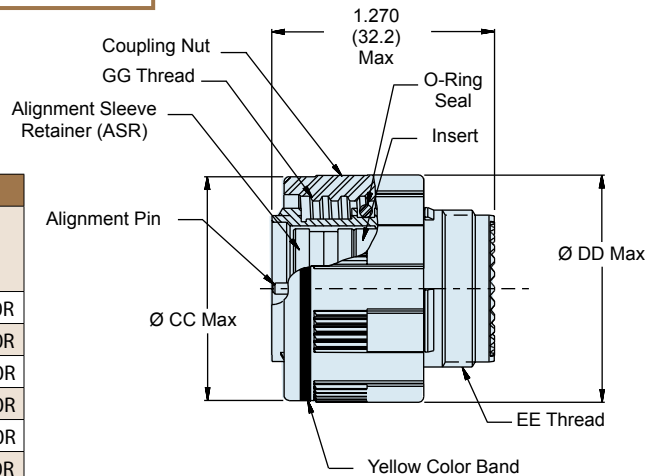


D38999 Style Plug Connector

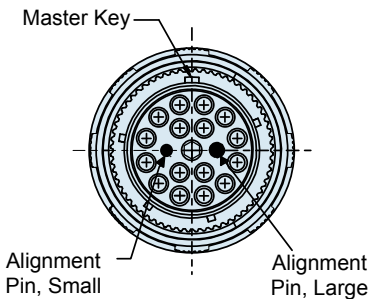
**How To Order**



| Shell Size Code | Shell Size | GG Thread            | Ø CC Max     | Ø DD Max     | EE Thread           |
|-----------------|------------|----------------------|--------------|--------------|---------------------|
| B               | 11         | .7500-.1P-.3L-TS-2B  | .929 (23.6)  | .984 (25.0)  | M15 X 1.0-6g 0.100R |
| C               | 13         | .8750-.1P-.3L-TS-2B  | 1.110 (28.2) | 1.157 (29.4) | M18 X 1.0-6g 0.100R |
| D               | 15         | 1.0000-.1P-.3L-TS-2B | 1.232 (31.3) | 1.280 (32.5) | M22 X 1.0-6g 0.100R |
| E               | 17         | 1.1875-.1P-.3L-TS-2B | 1.358 (34.5) | 1.406 (35.7) | M25 X 1.0-6g 0.100R |
| F               | 19         | 1.2500-.1P-.3L-TS-2B | 1.469 (37.3) | 1.516 (38.5) | M28 X 1.0-6g 0.100R |
| G               | 21         | 1.3750-.1P-.3L-TS-2B | 1.594 (40.5) | 1.642 (41.7) | M31 X 1.0-6g 0.100R |
| H               | 23         | 1.5000-.1P-.3L-TS-2B | 1.720 (43.3) | 1.768 (44.9) | M34 X 1.0-6g 0.100R |
| J               | 25         | 1.6250-.1P-.3L-TS-2B | 1.843 (46.8) | 1.890 (48.0) | M37 X 1.0-6g 0.100R |



**06 - PLUG WITH ASR**



**Material and Finish**

Barrel, Coupling Nut: See Table I, page C-5.  
 Coupling Nut (for composite): High grade engineering thermoplastic/unplated.  
 Insert: High grade rigid dielectric, or Al Alloy/Anodize - MFR's option.  
 Alignment Sleeve Retainer: Al Alloy/anodize.  
 Seal: Fluorosilicone.

**Notes**

Consult factory for optional RFI spring.  
 Alignment Sleeve Retainer is supplied with plug connector, and maybe ordered separately.  
 See Glenair drawing 180-122ASR.

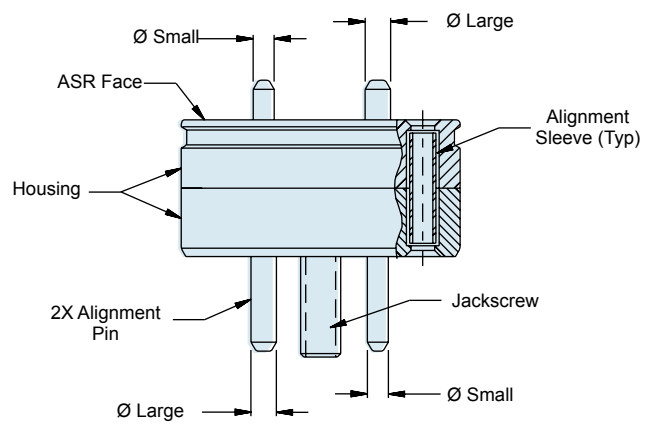
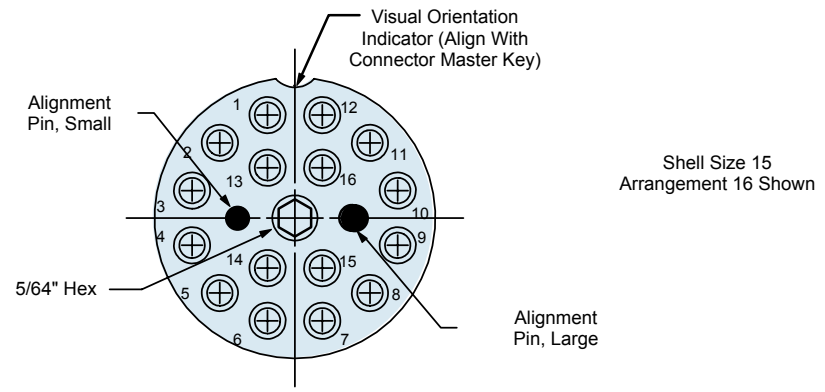
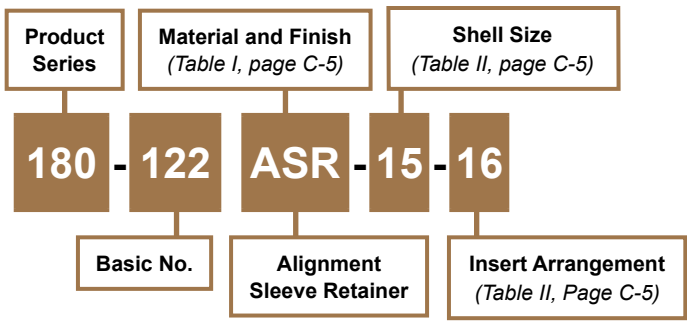


**GHD alignment sleeve retainer (ASR)**



Alignment Sleeve Retainer (ASR)

**How To Order**



**Material and Finish**

Housing: Al Alloy/Anodize  
 Alignment Pin and Jackscrew: Stainless Steel/Passivate  
 Alignment Sleeve: Zirconia Ceramic

# Mouser Electronics

Authorized Distributor

Click to View Pricing, Inventory, Delivery & Lifecycle Information:

[Glenair:](#)

[180-122M06-11-4N](#) [180-122M06-15-16N](#) [180-122M06-17-22N](#) [180-122M06-19-30A](#) [180-122M06-19-30B](#) [180-122M06-19-30C](#) [180-122NF06-11-4N](#) [180-122Z106-11-4N](#)