

Connector - SACC-MINFS-5CON-PG 9 - 1521384

Please be informed that the data shown in this PDF Document is generated from our Online Catalog. Please find the complete data in the user's documentation. Our General Terms of Use for Downloads are valid (<http://phoenixcontact.com/download>)




Sensor/actuator connector, female, straight, 5-pos., 7/8", screw connection, metal knurl, cable screw connection Pg9

Why buy this product

- ✓ Safe use in the field, thanks to a high degree of protection
- ✓ Flexible: connectors for on-site assembly
- ✓ Screw connection: proven connection technology for a large selection of different conductors



Key commercial data

Packing unit	1 pc
GTIN	 4 017918 949600
Weight per Piece (excluding packing)	40.1 g
Custom tariff number	85366990
Country of origin	Germany

Technical data

Dimensions

External diameter	6 mm ... 8 mm
-------------------	---------------

Ambient conditions

Ambient temperature (operation)	-25 °C ... 85 °C (Plug / socket)
Degree of protection	IP67

General

Rated current at 40°C	9 A
Rated voltage	300 V
Number of positions	5
Contact resistance	≤ 5 mΩ
Insulation resistance	≥ 100 MΩ
Coding	A - standard
Status display	No

Connector - SACC-MINFS-5CON-PG 9 - 1521384

Technical data

General

Surge voltage category	II
Pollution degree	3
Connection method	Screw connection
Conductor cross section	0.34 mm ² ... 1.5 mm ²
AWG conductor cross section	22 ... 16
Insertion/withdrawal cycles	≥ 100
Torque	0.8 Nm (7/8" connectors) 0.4 Nm (Screw terminal blocks) 0.8 Nm ... 1 Nm (Pressure screw)
Tightening torque	Screw plug insert with sleeve housing as far it will go
Assembly instructions	The wires can be connected both with ferrules and without ferrules

Material

Inflammability class according to UL 94	HB
Contact material	CuZn
Contact surface material	Au
Contact carrier material	PUR / PA66
Material of grip body	PBT
Material, knurls	Zinc die-cast, nickel-plated

Classifications

eCl@ss

eCl@ss 4.0	27140815
eCl@ss 4.1	27140815
eCl@ss 5.0	27260701
eCl@ss 5.1	27260701
eCl@ss 6.0	27279221
eCl@ss 7.0	27440104
eCl@ss 8.0	27440104

ETIM

ETIM 2.0	EC001121
ETIM 3.0	EC002062
ETIM 4.0	EC002062
ETIM 5.0	EC002062

UNSPSC

UNSPSC 6.01	31251501
UNSPSC 7.0901	31251501
UNSPSC 11	31251501
UNSPSC 12.01	31251501

Connector - SACC-MINFS-5CON-PG 9 - 1521384

Classifications

UNSPSC

UNSPSC 13.2	31251501
-------------	----------

Approvals

Approvals

Approvals

UL Recognized / cUL Recognized / EAC / cULus Recognized

Ex Approvals

Approvals submitted

Approval details

UL Recognized

cUL Recognized

EAC

cULus Recognized

Accessories

Accessories

Cable by the meter

Sensor/Actuator cable - SAC-5P-100,0-186/0,75 - 1535590



Cable ring, PUR/PVC black, 5-pos., conductor colors: Brown/white/blue/black/gray, cable length: 100 m

Connector - SACC-MINFS-5CON-PG 9 - 1521384

Accessories

Protective cap

Screw plug - PROT-MINMS-PA-CHAIN - 1430925

7/8" sealing cap made of plastic with fixing band, for sensor cables, for 7/8" sockets



Screwdriver tools

Adapter insert - TSD-M SAC-BIT ADAPTER - 1212600



Adapter bit for TSD-M...torque tools, E6.3-1/4" drive with 4 mm hexagon to accommodate SAC bits

Adapter - SAC BIT MIN-D25 - 1212512



SAC nut, for assembling 7/8" connectors, with 4 mm hexagonal drive

Torque tool

Torque screwdriver - TSD 08 SAC - 1212597



Torque screw driver with preset torque of 0.8 Nm, with 4 mm hexagon for accommodating SAC bits, two-component handle with non-slip grip

Torque screwdriver - TSD-M 1,2NM - 1212224

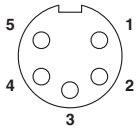


Torque screw driver, accuracy as per EN ISO 6789 standard, adjustable from 0.3 - 1.2 Nm

Connector - SACC-MINFS-5CON-PG 9 - 1521384

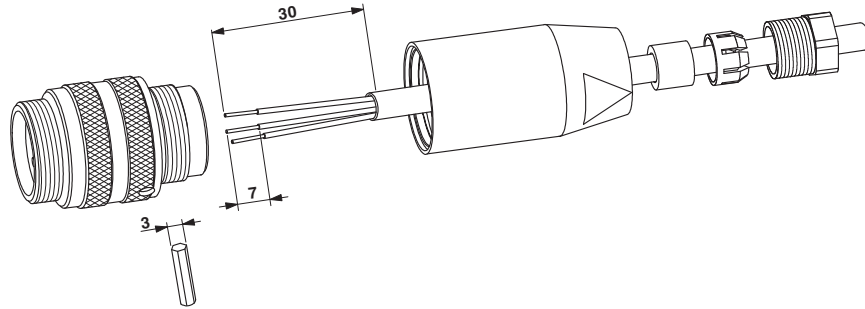
Drawings

Schematic diagram

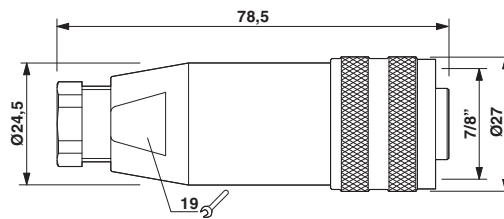


Pin assignment, socket, 7/8"-16UNF, 5-pos., view of female side

Functional drawing



Dimensioned drawing



Socket 7/8"-16UNF, straight, Pg9