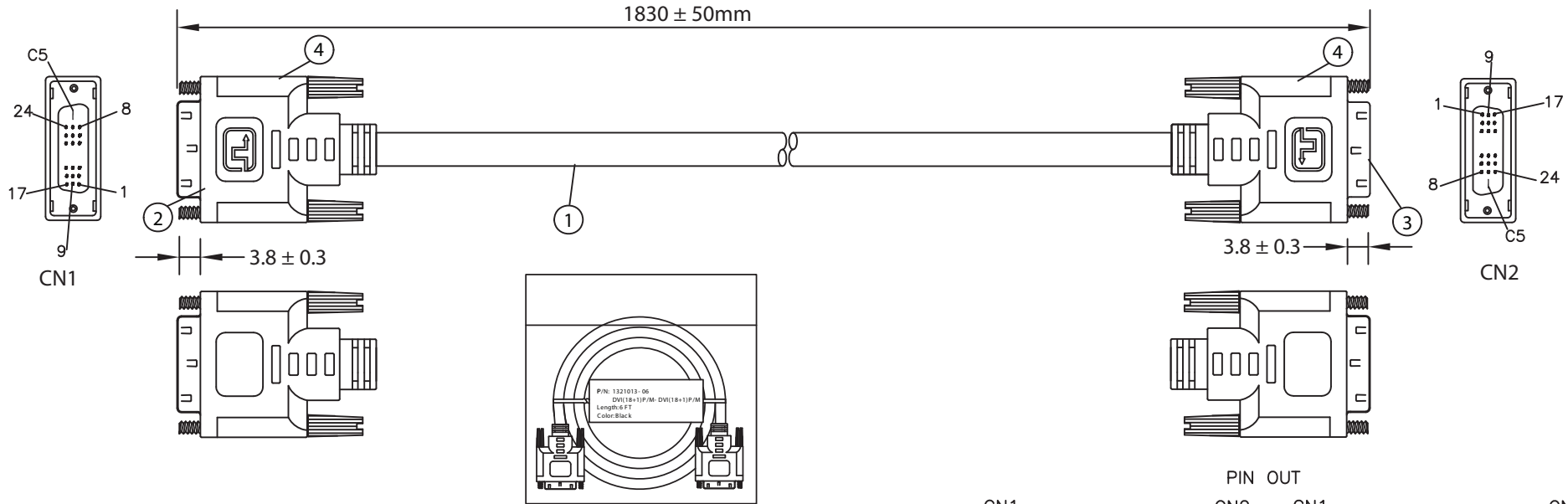


THESE DRAWINGS ARE THE PROPERTY OF QUALTEK ELECTRONICS AND NOT TO BE REPRODUCED FOR OR COMMUNICATED TO A THIRD PARTY WITHOUT THE EXPRESS WRITTEN PERMISSION OF AN OFFICER OF QUALTEK ELECTRONICS.

| REVISION |                                     |          |          |
|----------|-------------------------------------|----------|----------|
| REV.     | DESCRIPTION                         | DATE     | APPROVED |
| B        | Updated Pin Out, Notes and Graphics | 10-30-14 | LY       |
|          |                                     |          |          |



NOTES:

- CABLE: UL20276  
(28AWG\*1PR+EAM)\*4+28AWG\*1PR+28AWG\*3C+AEB(AL) 65%  
OUTER JACKET: BLACK, OD: 7.0 ± 0.2mm
- CONNECTOR: DVI 18+1 MALE  
INSULATOR: BLACK  
PIN G/F  
NICKEL PLATED SHELL  
THUMB SCREW: 2.8\*32.5 4-40UNC
- CONNECTOR: DVI 18+1 MALE  
INSULATOR: BLACK  
PIN G/F  
NICKEL PLATED SHELL  
THUMB SCREW: 2.8\*32.5 4-40UNC
- PVC MOLDED: COLOR V398 30P BLACK
- ELECTRICAL TEST:  
<1>.100% OPEN SHORT & MISS WIRE TEST  
<2>.INSULATION RESISTANCE: AC300V DC400V 10M ohm MIN.  
<3>.CONDUCTOR RESISTANCE: 3 ohm MAX.
- PACKING: 1PC/POLYBAG

PIN OUT

| CN1 |        | CN2 |        | CN1   |               | CN2   |        |
|-----|--------|-----|--------|-------|---------------|-------|--------|
| 1   | WHITE  | 1   | WHITE  | 15    | WHITE         | 15    | WHITE  |
| 2   | BROWN  | 2   | VIOLET | 16    | VIOLET        | 16    | VIOLET |
| 3   | DRAIN  | 3   | WHITE  | 17    | WHITE         | 17    | WHITE  |
| 6   | YELLOW | 6   | GREEN  | 18    | GREEN         | 18    | GREEN  |
| 7   | ORANGE | 7   | DRAIN  | 19    | DRAIN         | 19    | DRAIN  |
| 9   | WHITE  | 9   | WHITE  | 23    | WHITE         | 23    | WHITE  |
| 10  | RED    | 10  | BLUE   | 24    | BLUE          | 24    | BLUE   |
| 11  | DRAIN  | 11  | DRAIN  | 22    | DRAIN         | 22    | DRAIN  |
| 14  | RED    | 14  | SHELL  | SHELL | BRAID & DRAIN | SHELL | SHELL  |

CONTROLLED

| Dim range (mm) | Tolerance +/- (mm) | Qualtek Electronics Corp.<br>WCI DIVISION     |                |                 |
|----------------|--------------------|---|----------------|-----------------|
|                |                    | Part Number: 1321013-06                       |                | RoHS Compliant  |
| 0-1            | 0.15               | Description:<br>DVI (18+1)P/M - DVI (18+1)P/M |                |                 |
| 1-6            | 0.20               |   |                |                 |
| 6-18           | 0.30               |   |                |                 |
| 18-50          | 0.50               |   |                |                 |
| 50-120         | 0.70               | UNIT: mm                                      | REV. B         |                 |
| 120-250        | 0.90               | Drawn / Date                                  | Checked / Date | Approved / Date |
| 250-500        | 1.20               | B. Grubb<br>12-20-06                          | 12-20-06       | JJH / 12-20-06  |

# Mouser Electronics

Authorized Distributor

Click to View Pricing, Inventory, Delivery & Lifecycle Information:

[Qualtek:](#)

[1321013-06](#)