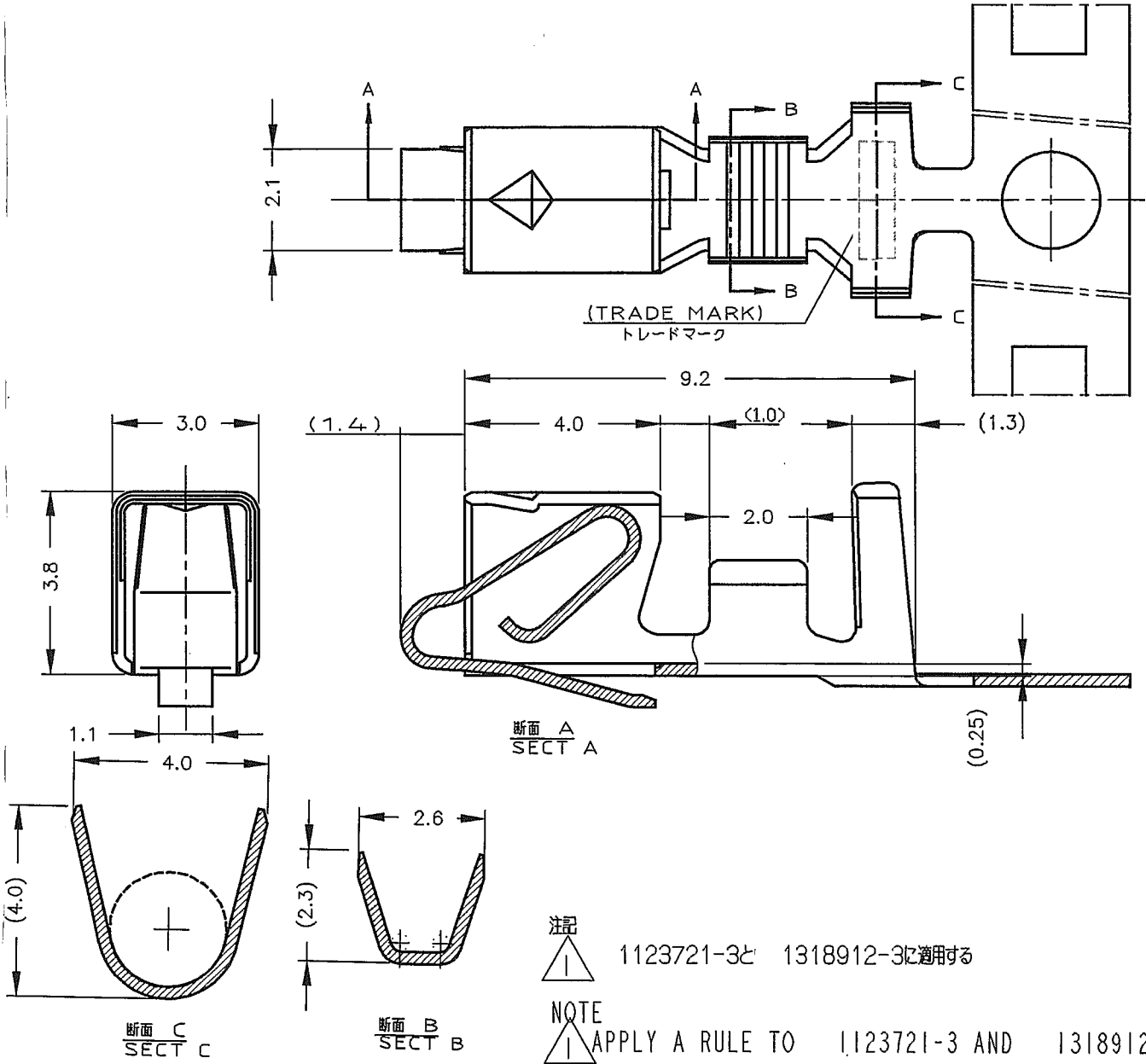


LOC J	DIST -	REVISIONS			
P	LTR	DESCRIPTION	DATE	DWN	APVD
	A	RELEASED	2JUN2009	T.S	T.K

-3:本図
-3:AS SHOWN



注記
△ 1123721-3と 1318912-3に適用する
NOTE
△ APPLY A RULE TO 1123721-3 AND 1318912-3

1473063-1, 1473063-2 1473393-1, 1473393-2	1318912-3	PHOS-PHO BRONS (Au PL. CONT.) リン青銅(コンタクト部金メッキ)	1123721-3
適合ハウジング キット SUITED HOUSING KIT	バラ端子型番 LOOSE PIECE CONT. P/N	材料 MATERIAL	型番 PART NUMBER

2003
 RELEASED FOR PUBLICATION
 BY TYCO ELECTRONICS CORPORATION. ALL RIGHTS RESERVED.
 THIS DRAWING IS UNPUBLISHED.
 COPYRIGHT 2003

DIMENSIONS: mm	DWN T.SAMI 2JUN2009	WIRE RANGE 絶縁電線断面積 0.53-1.37mm ² (AWG#20-16) △ 1	INSULATION DIA 被覆外径 φ1.8-2.8mm △ 1
	CHK N.YAMASAKI 2JUN2009	MATERIAL SEE TABLE	FINISH -
TOLERANCES UNLESS OTHERWISE SPECIFIED: 一般公差 5μ : ±0.3 >5 : ±0.4	APVD T.KIMURA 2JUN2009	Tyco Electronics Corporation Kawasaki, Japan	
	PRODUCT SPEC 108-5743 △ 1	NAME ECONOMY POWER(EP) CONN. REC. CONT. エコノミーパワー(EP) コネクタ リセコンタクト	
	APPLICATION SPEC 114-5303 △ 1	SIZE A 4	CAGE CODE 00779
	WEIGHT -	DRAWING NO C= 1123721-3	RESTRICTED TO -
CUSTOMER DRAWING		SCALE -	SHEET 1 OF 1
			REV A

Mouser Electronics

Authorized Distributor

Click to View Pricing, Inventory, Delivery & Lifecycle Information:

[TE Connectivity:](#)

[1318912-3](#)