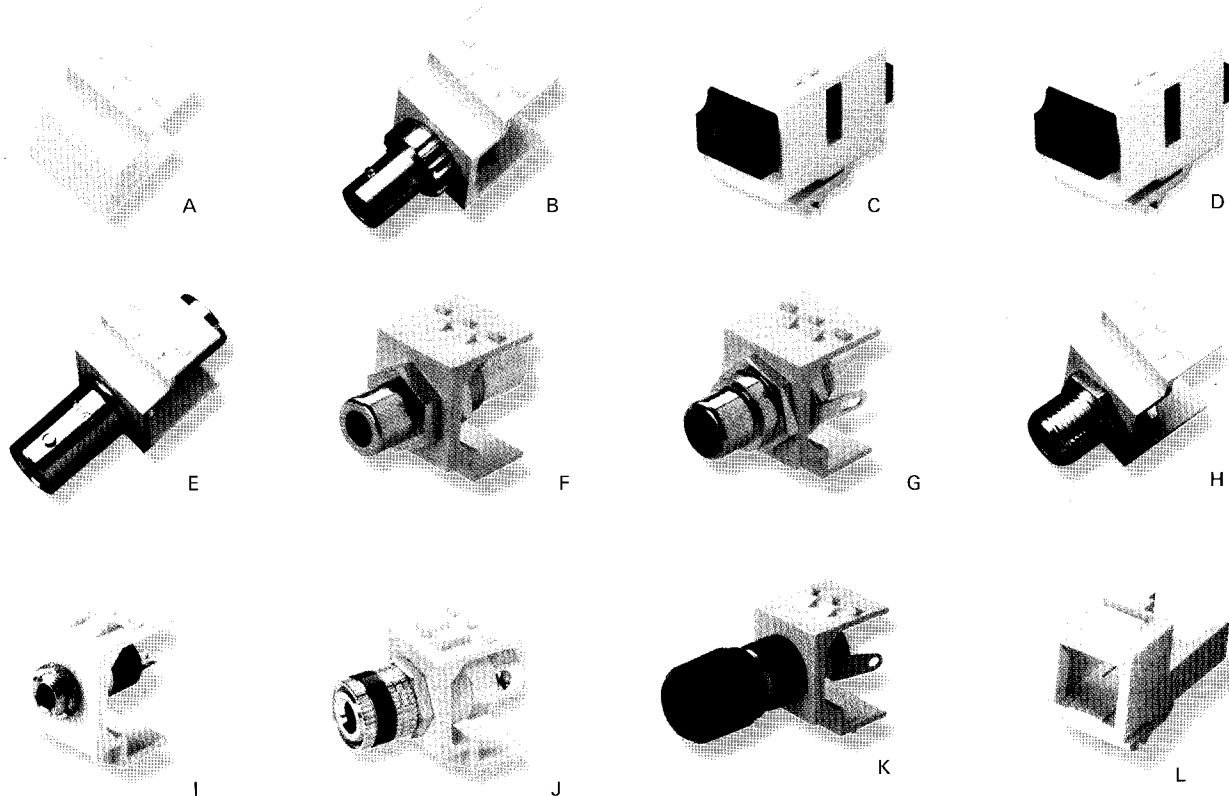




## SL Series Multimedia Inserts

### SL Series Multimedia Inserts



3.2

Description		Figure	Part Number
Blank		A	1116412-X
ST Coupler	Multimode	B	1339123-X
	Single-mode	-	1479181-X
LC Coupler	Multimode	C	1435735-X
	Single-mode	D	1435799-X
BNC Coupler		E	1339124-X
RCA Coupler	Red Dielectric	F	1375361-X
	White Dielectric	-	1375362-X
	Yellow Dielectric	-	1375363-X
RCA, Solder Termination	Red Dielectric	G	1375364-X
	White Dielectric	-	1375365-X
	Yellow Dielectric	-	1375366-X
F-Connector Coupler		H	1339121-X
3.5 mm Stereo, Mini-Headphone, Solder Termination		I	1479086-X
Speaker Post	Black Stripe	-	1479190-X
	Red Stripe	J	1479191-X
Binding Post	Black	-	1375359-X
	Red	K	1375360-X
MT-RJ SL Series Housing		L	1374416-Y

X denotes color: -1 = Almond, -2 = Black, -3 = White, -4 = Gray, 1--1 = Electrical Ivory  
 Y denotes color: -1 = Almond, -2 = Black, -3 = White, -4 = Gray, -5 = Orange, -6 = Blue, -7 = Red,  
 -8 = Yellow -9 = Green, 1--0 = Violet, 1--1 = Electrical Ivory, 2--3 = Rose,  
 2--4 = Aqua, 2--5 = Brown, 2--6 = Slate

NOTE: Highlighted part numbers are routinely stocked for shortest lead times.

### Product Facts

- :: Provide connections for different media types
- :: Configure faceplates to handle various services
- :: May be used in straight or angled SL Series Faceplate Modules
- :: Inserts easily snap into SL Series Modules and Duplex Mounting Straps
- :: MT-RJ SL Series housing accepts one MT-RJ Jack sold separately