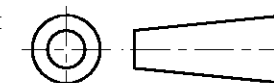


DO NOT SCALE

DIMENSIONS IN mm

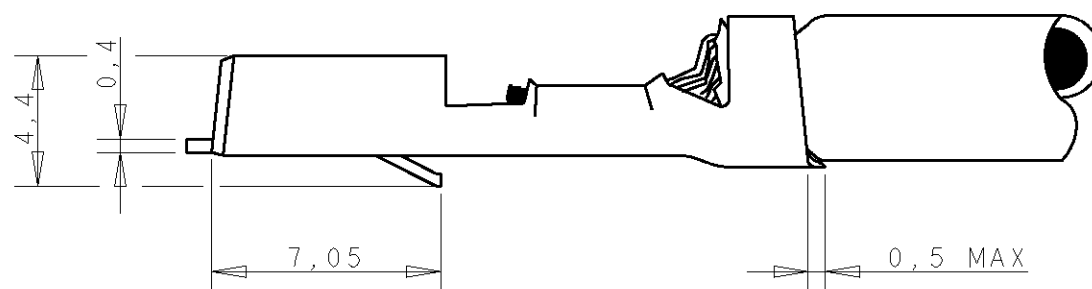
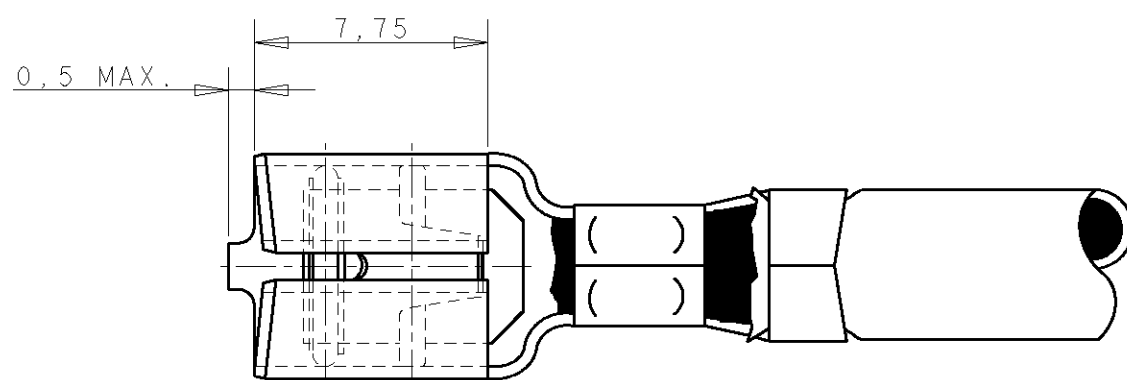
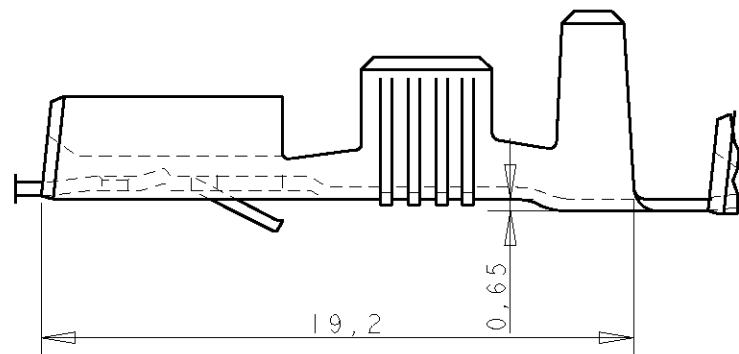
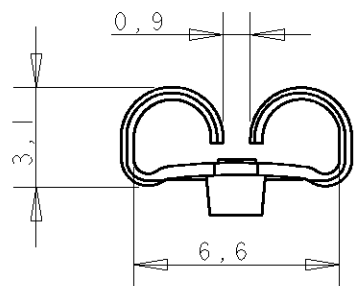
METRIC

THIRD ANGLE  
PROJECTION



NOTES:

- 1 FOR USE ON MINIATURE APPLICATORS ( LEFT-RIGHT FEED )  
AND STANDARD APPLICATORS ( RIGHT-LEFT FEED ).
- 2 REELED WITH PAPER COVER.
- 3 SPLICE FREE CODE 115-10003.1



GENERAL TOLERANCES ±0.3

WIRE RANGE :  
>2,5-4,0 mm<sup>2</sup>  
INSULATION RANGE :  
3,3-4,5 DIA.

NOTES	FINISH	MATERIAL	PARTNUMBER
-	-	-	-
1	PRE-TINPLATED	PH.BRONZE	6-160913-8
1	PRE-TINPLATED	BRASS	6-160913-7
1	TINPLATED	PH.BRONZE	160913-4
3	UNPLATED	PH.BRONZE	160913-3
1	TINPLATED	BRASS	160913-2
1	UNPLATED	BRASS	160913-1

REV.	DESCRIPTION	DR.	CHK.	DATE	NOTES							
EI	4,4 was 4,1	J.L	J.L	7/JUL/2006	<b>CUSTOMER DRAWING</b> FOR REFERENCE ONLY WILL NOT BE UPDATED. © COPYRIGHT 19- BY AMP HOLLAND B.V. ALL INTERNATIONAL RIGHTS RESERVED. AMP PRODUCTS MAY BE COVERED BY U.S. AND FOREIGN AND/OR PATENTS PENDING. THIS DRAWING IS UNPUBLISHED RELEASED FOR PUBLICATION ,19							
E	ES00-0008-03	JL	JL	17JAN03								
D	ES00-0065-01	JC	JL	19JUN01								
C	ES00-0043-01	JC	RS	2MAY01								
B	EH-1045-97	D.K.	R.V.	26 SEP 97								
A	EH-0168-94	DK	PB	21-06-94	<b>AMP</b> Tyco Electronics AMP Barcelona, Spain NAME .250 SRS FASTIN-ON RECEPTACLE							
LTR.	REVISION RECORD	DR.	CHK.	DATE								
DR.:	L.v.d.HEIJDEN	CHK.:	A.BIJNEN	APP.:	L.v.SOEST	DWG.No.	160913	REV.LTR.	EI	SHEET	1 OF 1	A3
DATE:	02-07-87	DATE:	10-08-87	DATE:	24-08-87							