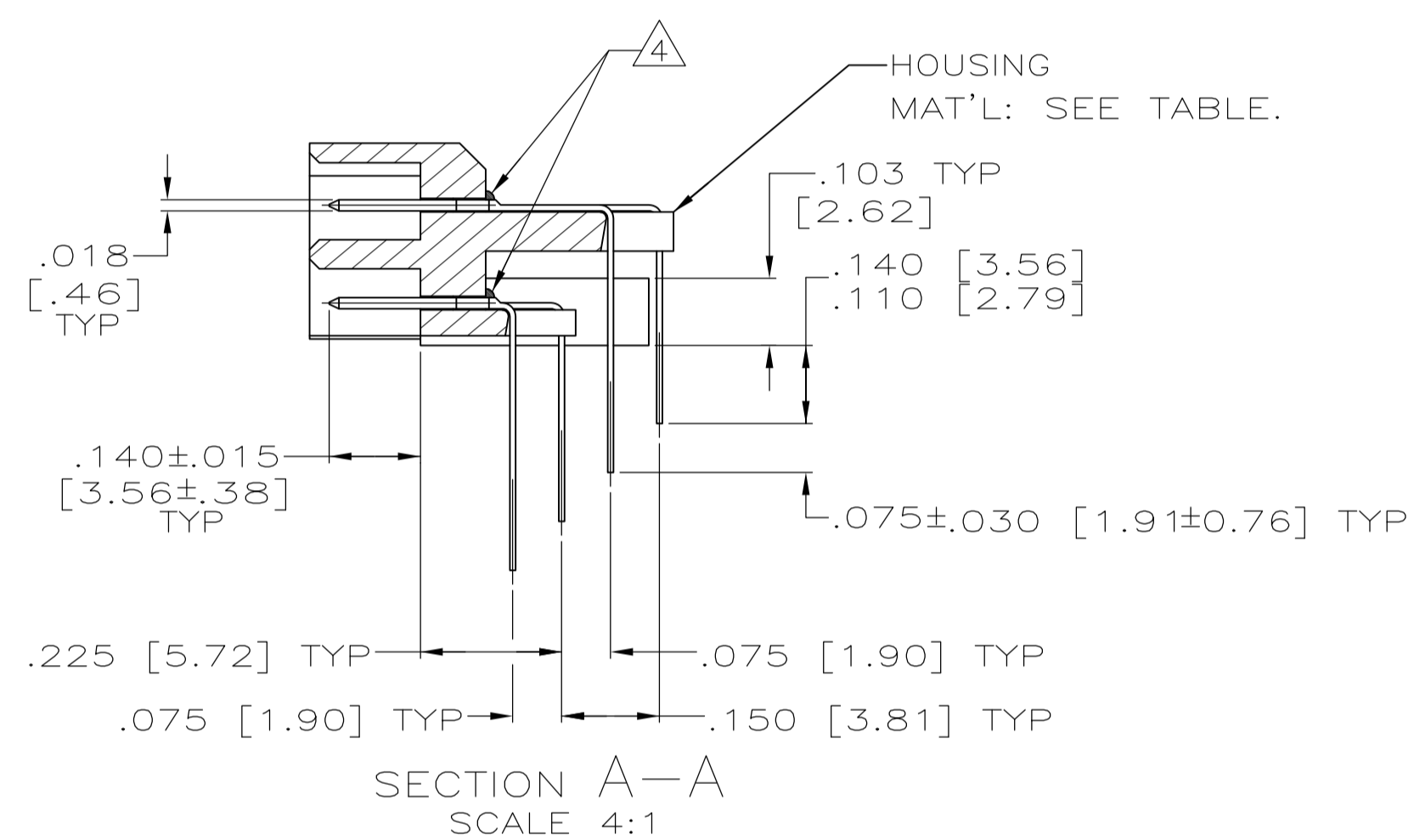
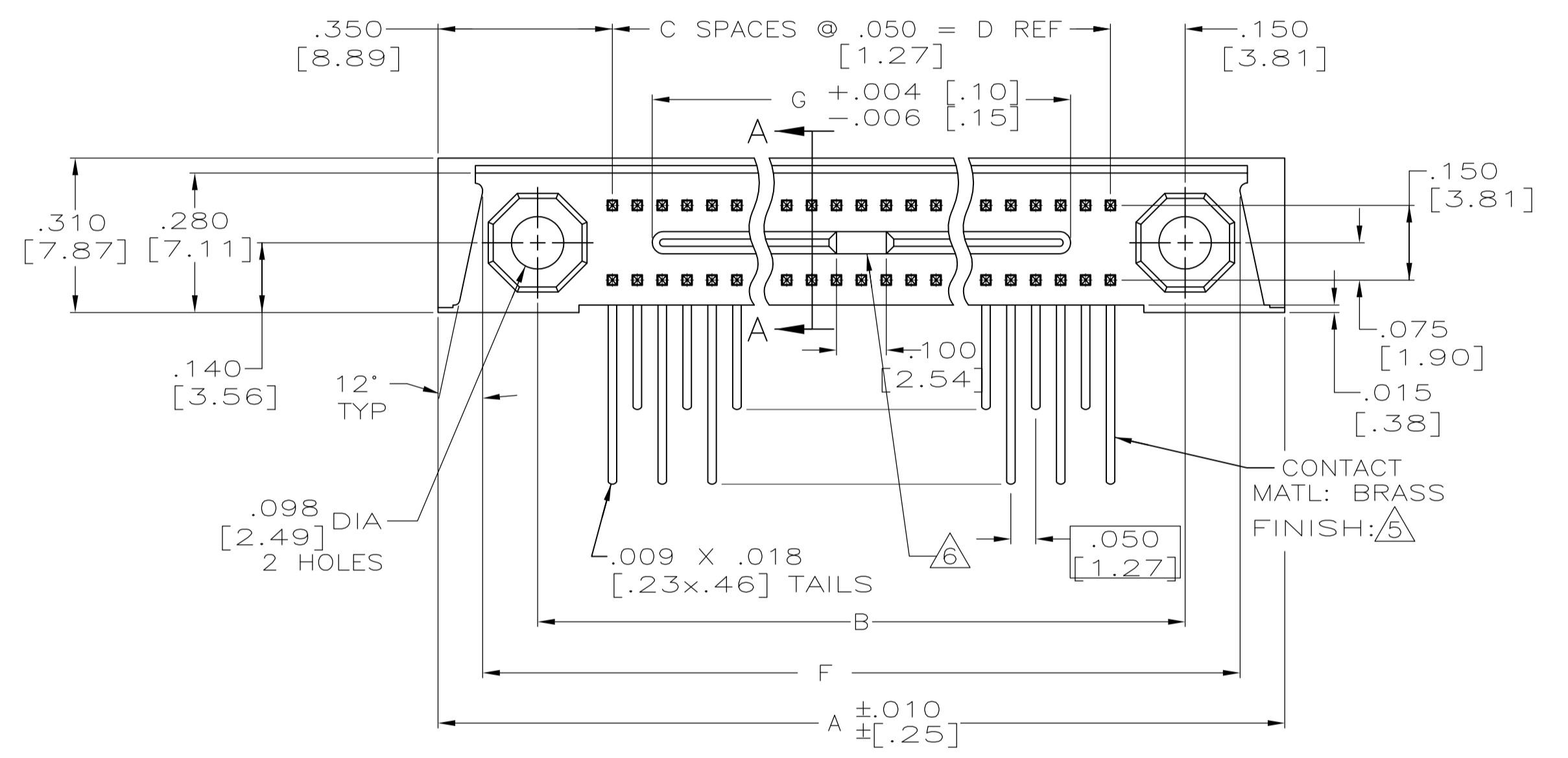
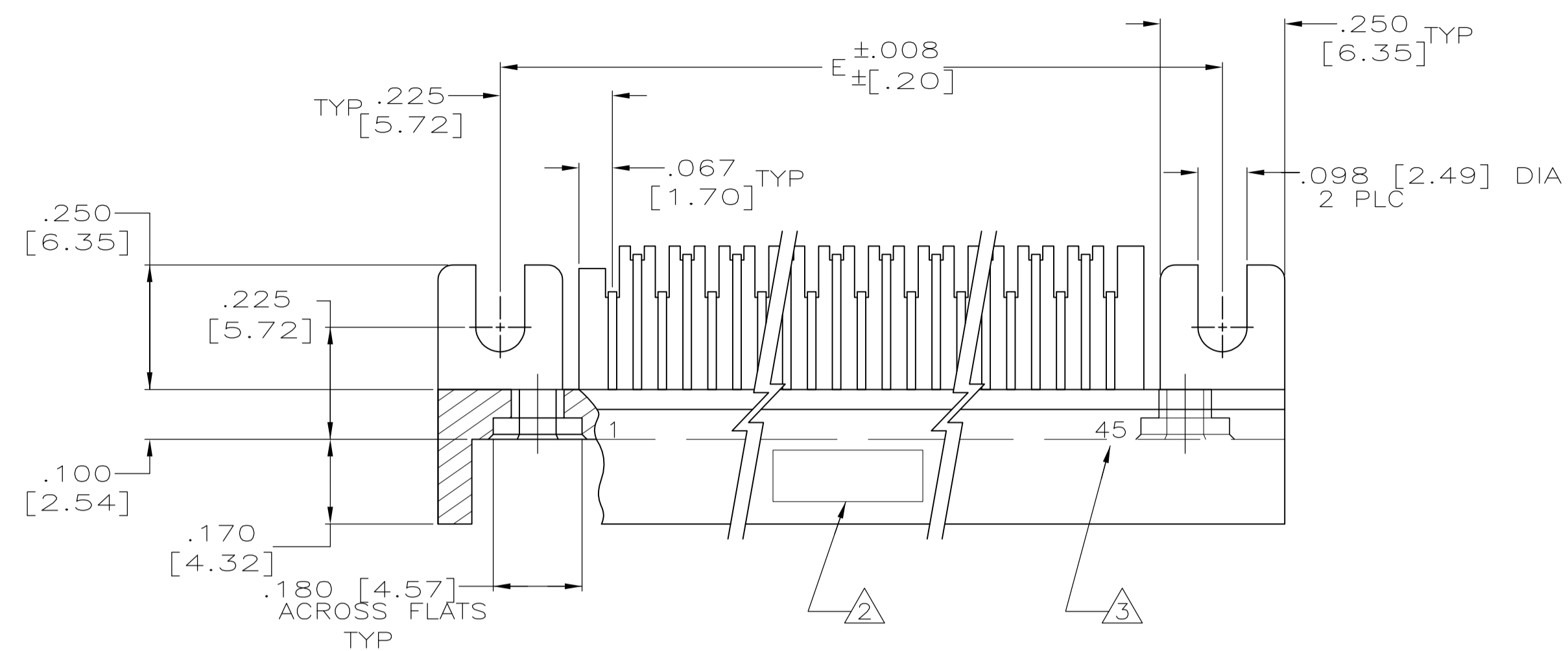
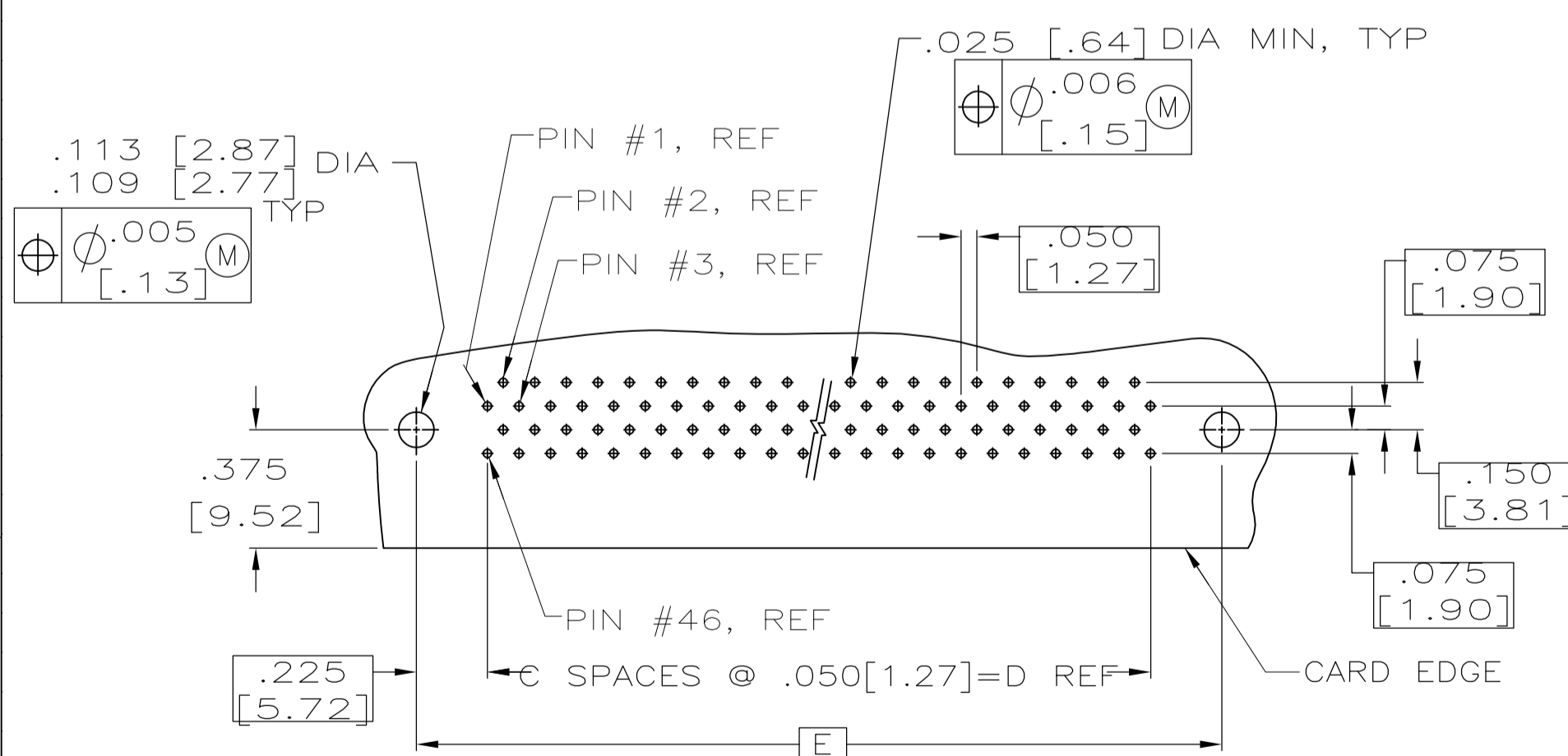


LOC	DIST	REVISIONS					
		P	LTR	DESCRIPTION	DATE	DWN	APVD
G1		REVISED	PER	ECO-11-005030	23MAR11	RK	HMR



1. CONNECTOR MEETS ALL APPLICABLE REQUIREMENTS OF MIL-C-55302.
- 2 AMP.00779, AMP PART NO, MILITARY PART NO.(PER TABLE) AND DATE CODE MARKED IN THIS APPROXIMATE AREA.
- 3 END CAVITY IDENTIFICATION NUMBERS (PER TABLE) MARKED THIS SIDE ONLY.
- 4 EPOXY, FOR CONTACT RETENTION, APPLIED TO CONTACT ROWS IN THIS AREA.
- 5 FINISH: PLATED GOLD .000050 THK PER MIL-G-45204 ON MATING END FOR A LENGTH OF .100 MIN, TAILS PLATED TIN-LEAD .000120 THK, ALL OVER NICKEL .000050 THK PER QQ-N-290.
- 6 SPACE IN TONGUE NOT APPLICABLE FOR 20 THRU 50 POSITIONS.
- 8 HOUSING MATERIAL: LIQUID CRYSTAL POLYMER PER MIL-M-24519, GLCP-30F; COLOR: GRAY.



RECOMMENDED P.C. BOARD LAYOUT (CONNECTOR SIDE) SCALE: 2:1 90 POSN, REF

	8	1	64	M55302/117-11	2.990 [75.95]	3.670 [93.22]	3.600 [91.44]	3.150 [80.01]	63	3.450 [87.63]	3.850 [97.79]	128	2-530743-2
	8	1	55	M55302/117-10	2.540 [64.52]	3.220 [81.79]	3.150 [80.01]	2.700 [68.58]	54	3.000 [76.20]	3.400 [86.36]	110	2-530743-1
	8	1	50	M55302/117-09	2.290 [58.17]	2.970 [75.44]	2.900 [73.66]	2.450 [62.23]	49	2.750 [69.85]	3.150 [80.01]	100	2-530743-0
	8	1	45	M55302/117-08	2.040 [51.82]	2.720 [69.09]	2.650 [67.31]	2.200 [55.88]	44	2.500 [63.50]	2.900 [73.66]	90	1-530743-9
	8	1	40	M55302/117-07	1.790 [45.47]	2.470 [62.74]	2.400 [60.96]	1.950 [49.53]	39	2.250 [57.15]	2.650 [67.31]	80	1-530743-8
	8	1	35	M55302/117-06	1.540 [39.12]	2.220 [56.39]	2.150 [54.61]	1.700 [43.18]	34	2.000 [50.80]	2.400 [60.96]	70	1-530743-7
	8	1	30	M55302/117-05	1.290 [32.77]	1.970 [50.04]	1.900 [48.26]	1.450 [36.83]	29	1.750 [44.45]	2.150 [54.61]	60	1-530743-6
	8	1	25	M55302/117-04	1.040 [26.42]	1.720 [43.69]	1.650 [41.91]	1.200 [30.48]	24	1.500 [38.10]	1.900 [48.26]	50	1-530743-5
	8	1	20	M55302/117-03	.790 [20.07]	1.470 [37.34]	1.400 [35.56]	.950 [24.13]	19	1.250 [31.75]	1.650 [41.91]	40	1-530743-4
	8	1	15	M55302/117-02	.540 [13.72]	1.220 [30.99]	1.150 [29.21]	.700 [17.78]	14	1.000 [25.40]	1.400 [35.56]	30	1-530743-3
	8	1	10	M55302/117-01	.290 [7.37]	.970 [24.64]	.900 [22.86]	.450 [11.43]	9	.750 [19.05]	1.150 [29.21]	20	1-530743-2
SUPSD BY 2--2													1-530743-1
SUPSD BY 2--1													1-530743-0
SUPSD BY 2--0													530743-9
SUPSD BY 1--9													530743-8
SUPSD BY 1--8													530743-7
SUPSD BY 1--7													530743-6
SUPSD BY 1--6													530743-5
SUPSD BY 1--5													530743-4
SUPSD BY 1--4				3		2							530743-3
SUPSD BY 1--3													530743-2
SUPSD BY 1--2													530743-1

THIS DRAWING IS A CONTROLLED DOCUMENT.		DIMENSIONS: INCHES[M]	TOLERANCES UNLESS OTHERWISE SPECIFIED: 0 PLC ± - 1 PLC ± - 2 PLC ± - 3 PLC ± .005 [0.13] 4 PLC ± - ANGLES ± -	DIMENSION DWG T. WIEST 3-8-90 CHK A. HOKE 6-21-90 APVD D. STONER 6-21-90 NAME PRODUCT SPEC APPLICATION SPEC WEIGHT	SIZE CASE CODE DRAWING NO A1 00779 C=530743	RESTRICTED TO CUSTOMER DRAWING
MATERIAL -		FINISH -		SCALE 4:1 SHEET 1 OF 1 REV G1		

Mouser Electronics

Authorized Distributor

Click to View Pricing, Inventory, Delivery & Lifecycle Information:

[TE Connectivity:](#)

[1-530743-2](#)