

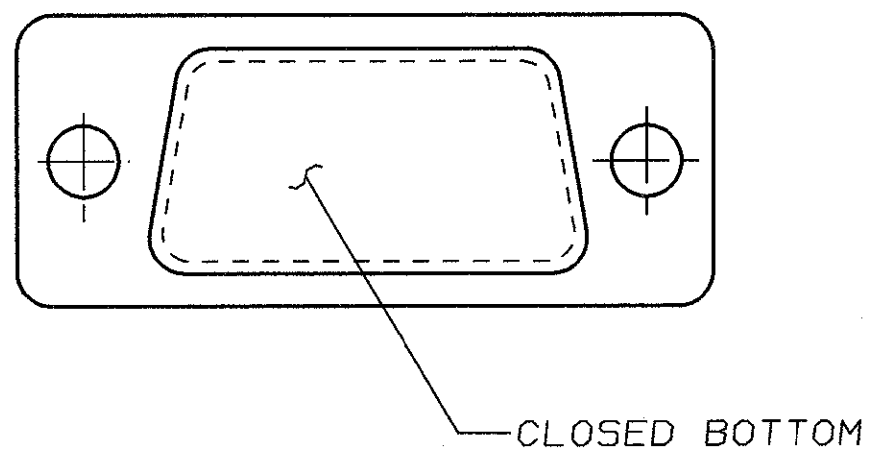
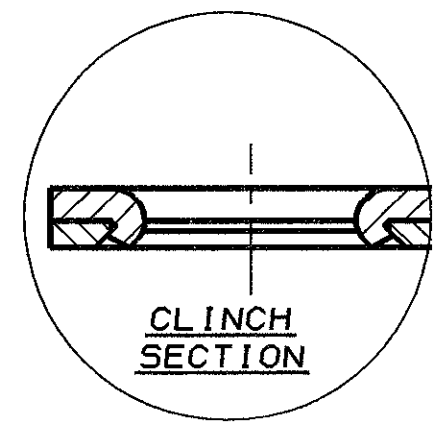
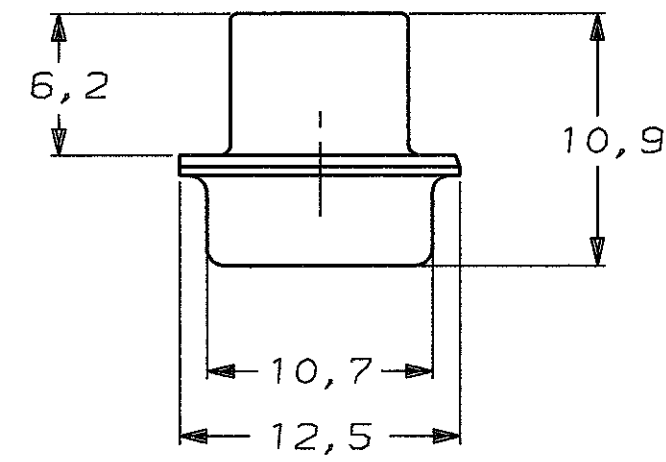
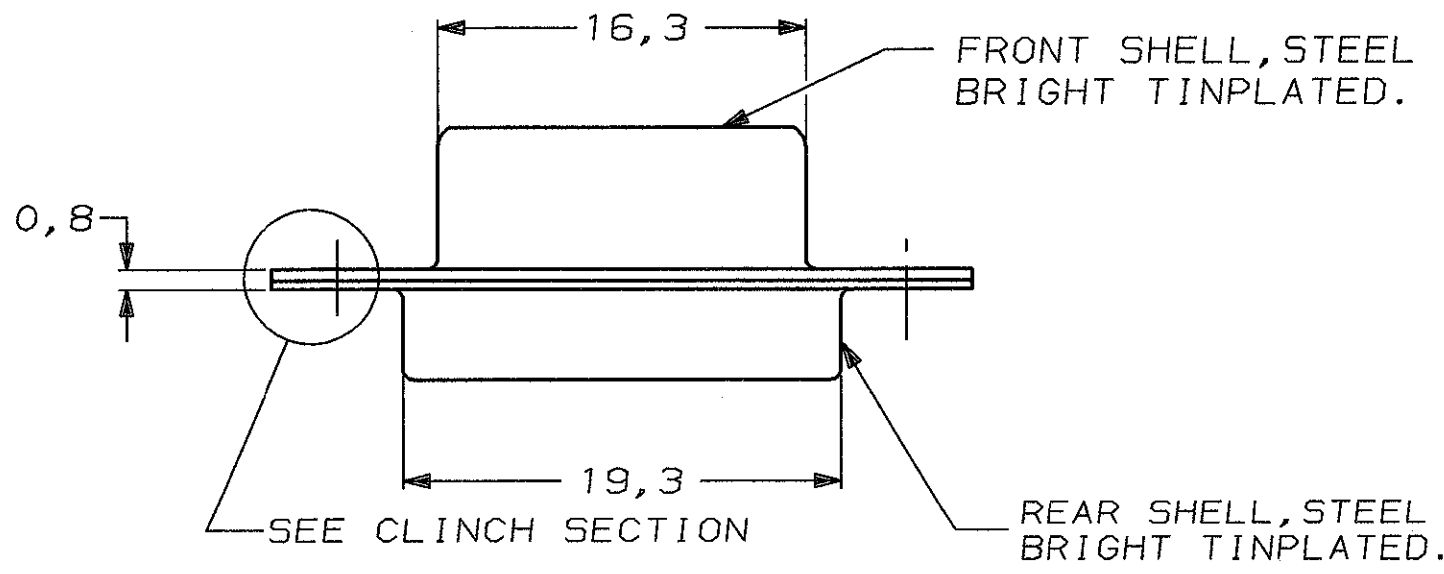
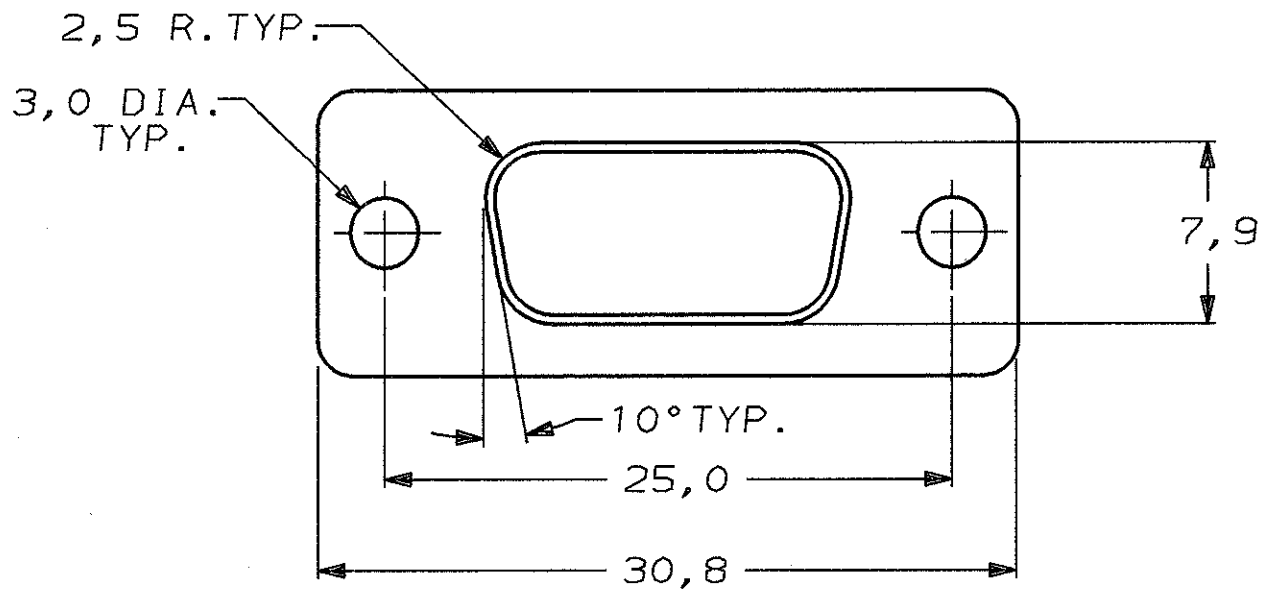
DO NOT SCALE

DIMENSIONS IN mm

METRIC

THIRD ANGLE

PROJECTION



		SEE DRAWING		SEE DRAWING		106698-1	
		FINISH		MATERIAL		PARTNUMBER	
-	-	-	-	-	-	CUSTOMER DRAWING FOR REFERENCE ONLY WILL NOT BE UPDATED	
-	-	-	-	-	-	© COPYRIGHT 19- BY AMP HOLLAND B.V. ALL INTERNATIONAL RIGHTS RESERVED. AMP PRODUCTS MAY BE COVERED BY U.S. AND FOREIGN AND/OR PATENTS PENDING.	
-	-	-	-	-	-	THIS DRAWING IS UNPUBLISHED RELEASED FOR PUBLICATION, 19-	
-	-	-	-	-	-	AMP HOLLAND B.V. 's-Hertogenbosch, The Netherlands.	
-	-	-	-	-	-	NAME	
0	EH-0829-93	JvdH	CVT	09-11-93	SIZE 1 HD-20 DUMMY, RECEPTACLE.		
LTR.	REVISION RECORD	DR.	CHK.	DATE			
DR.: J.V.D.HEIJDEN.	CHK.: C.V.TILBURG	APP.: L.V.SOEST.	DWG. No.		REV. LTR.	SHEET	
DATE: 09-11-93	DATE: 09-12-93	DATE: 02-1-94	C-106698		0	1 OF 1	A3