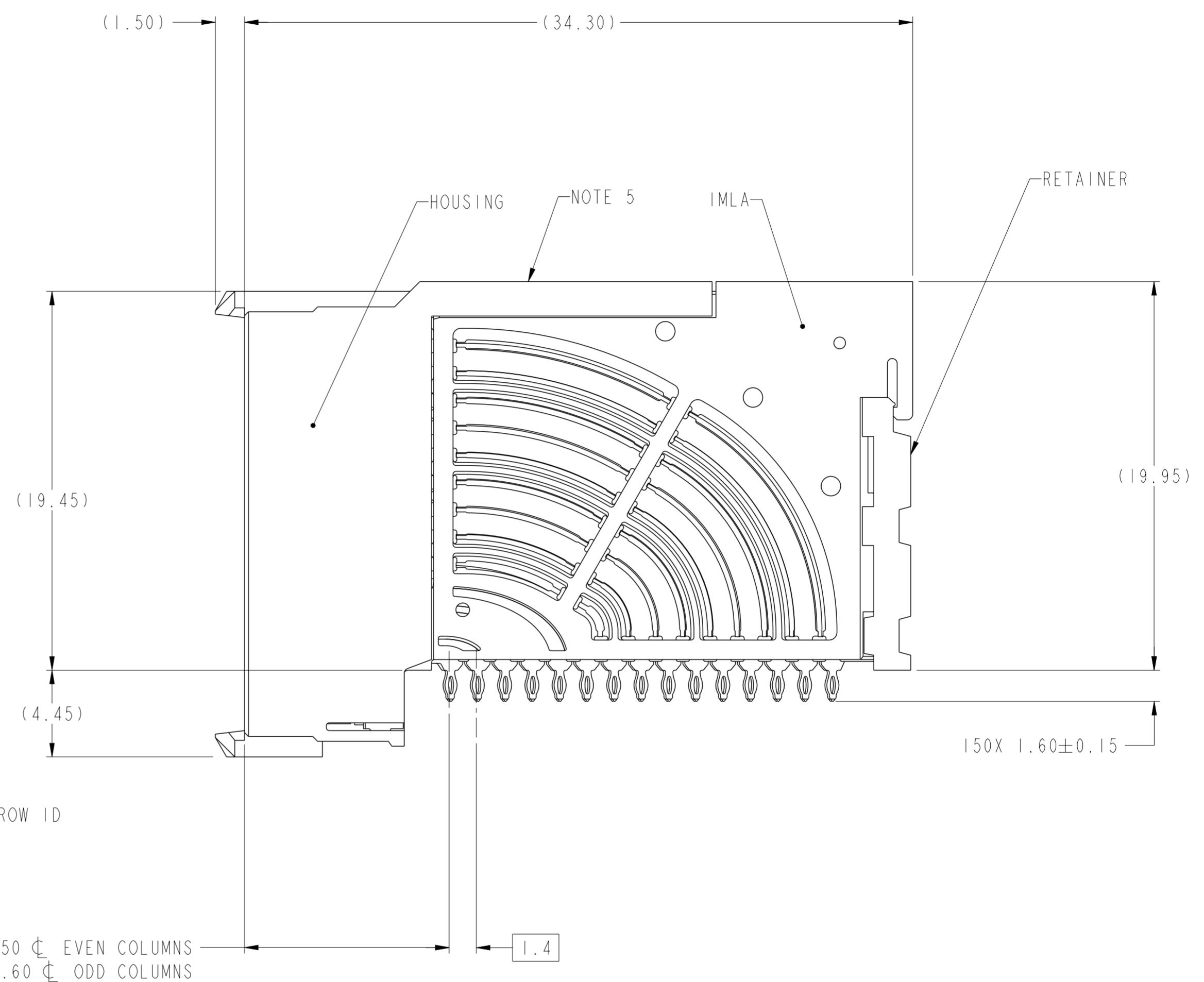
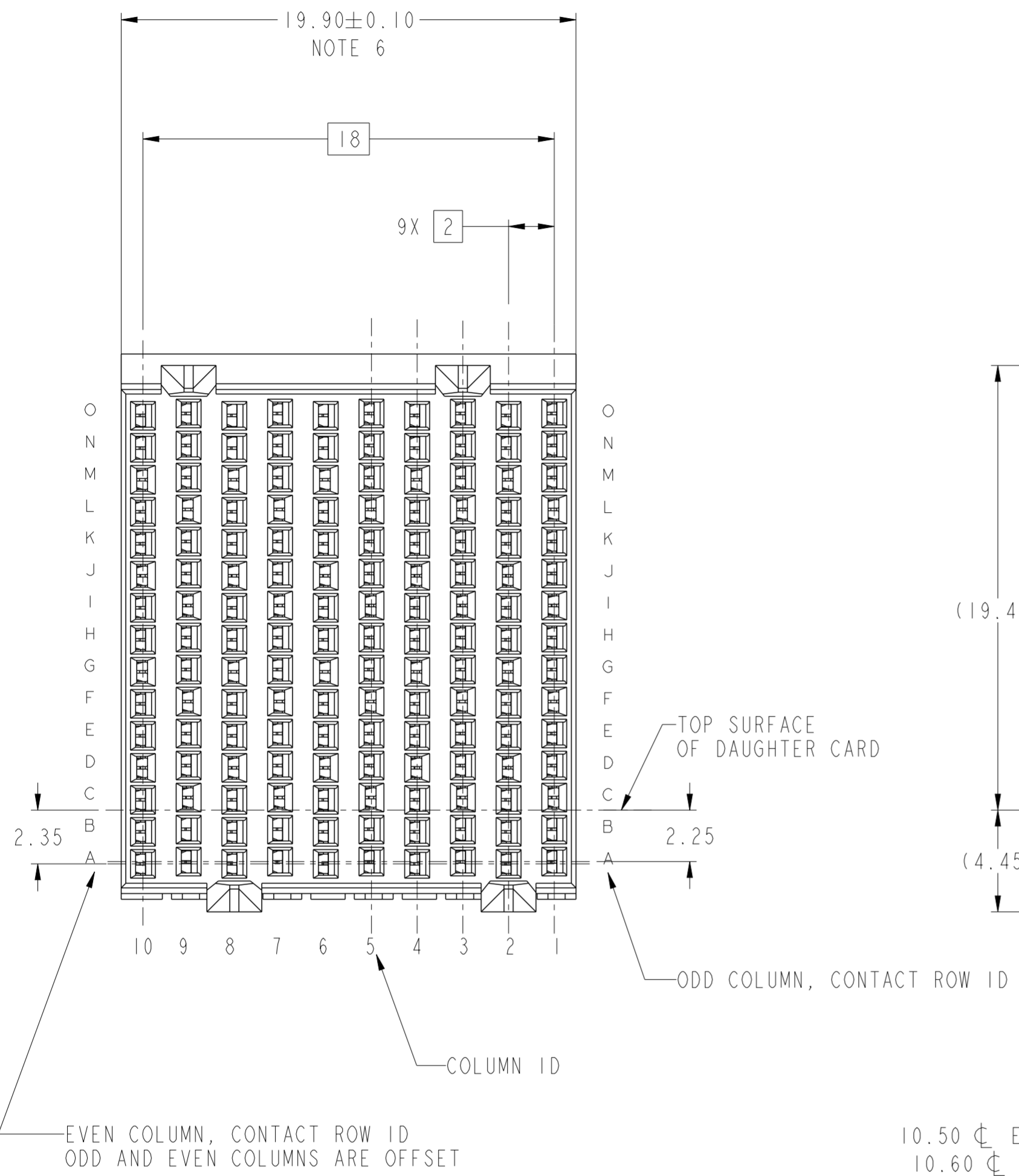


PRODUCT NUMBER
SEE SHEET 3



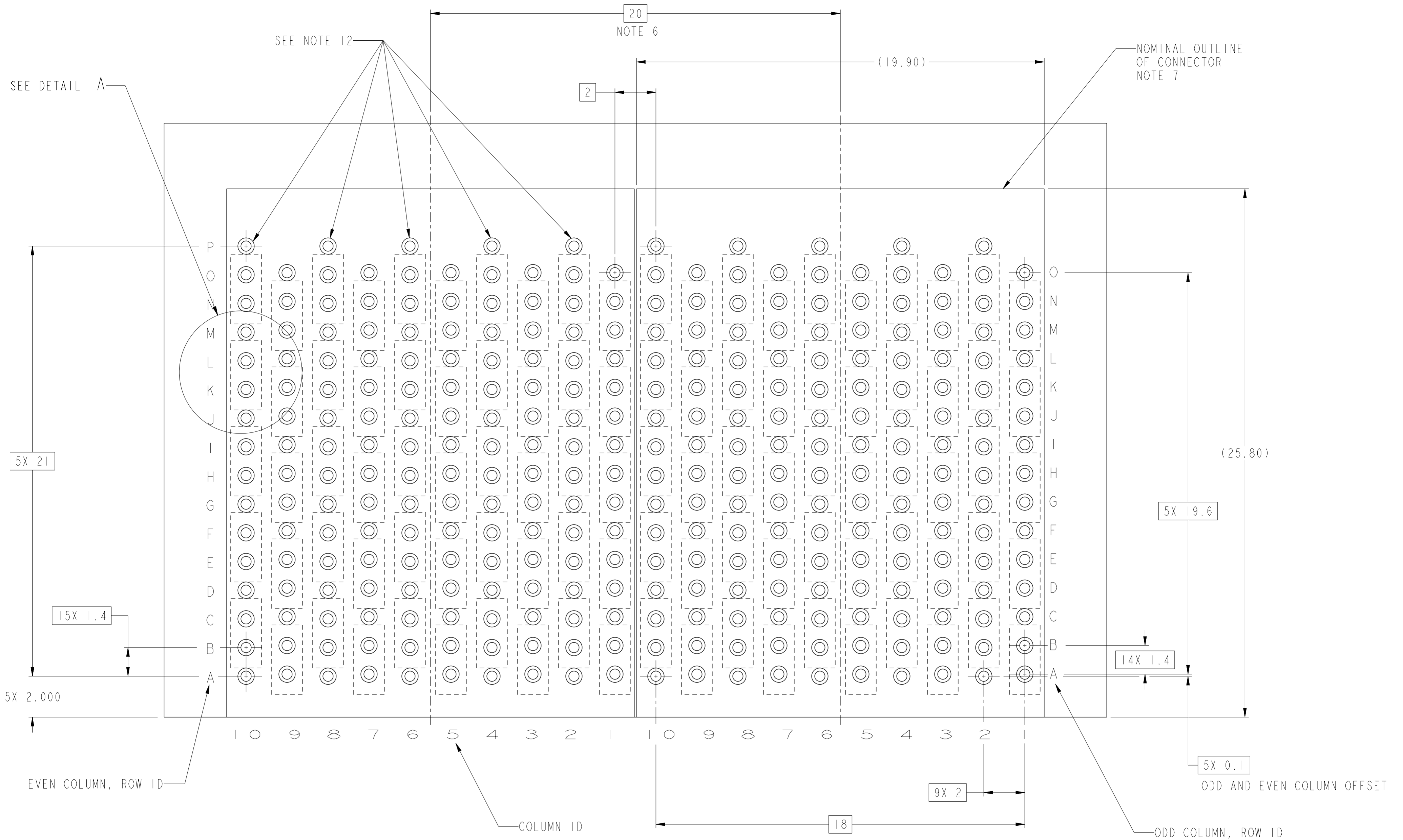
Copyright FCI.
FCI

spec ref	---	dr	Lin-Soe Ngwe	2012/09/05	projection	MM	size	A2	scale	1:1												
tolerance std	ASME Y14.5M	eng	Jackie Chen	2015/01/27			ecn no	ELX-DG-20056-1														
TOLERANCES UNLESS OTHERWISE SPECIFIED		chr	-	rel level			Released															
surface	<table border="1"> <tr> <td>linear</td> <td>0.X</td> <td>±.3</td> </tr> <tr> <td></td> <td>0.XX</td> <td>±.10</td> </tr> <tr> <td></td> <td>0.XXX</td> <td>±.050</td> </tr> <tr> <td>angular</td> <td>0°</td> <td>±°</td> </tr> </table>	linear	0.X	±.3		0.XX	±.10		0.XXX	±.050	angular	0°	±°	appr	Collins Lu	2015/01/28	product family	AirMax VSE	cat. no.	10122665	rev	B
linear	0.X	±.3																				
	0.XX	±.10																				
	0.XXX	±.050																				
angular	0°	±°																				
www.fci.com		title		AIRMAX VS2 R.A. RECEPTACLE		Product - Customer Drw		sheet 1 of 3														

PDS: Rev :B

STATUS:Released

Printed: Feb 03, 2015

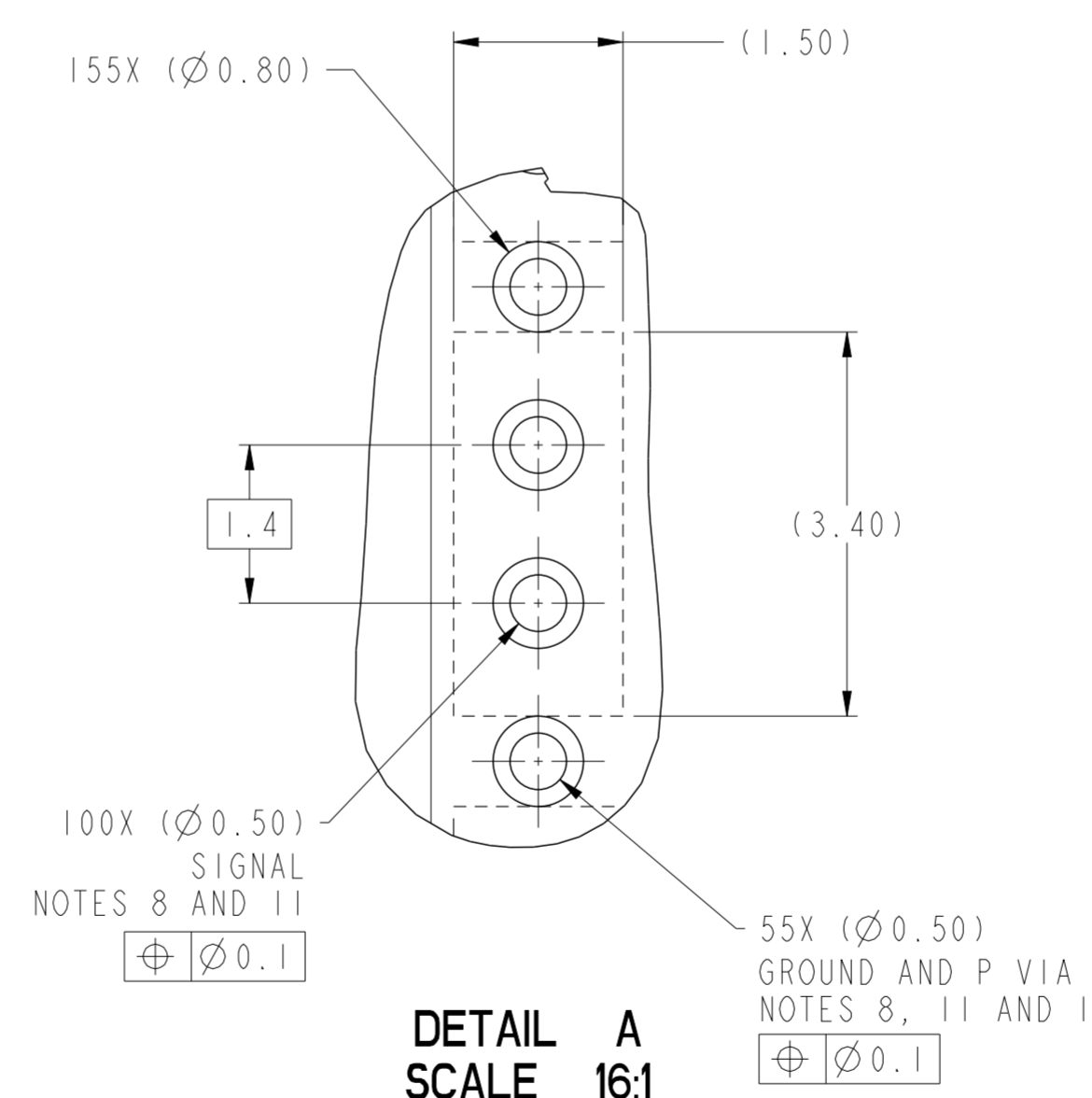
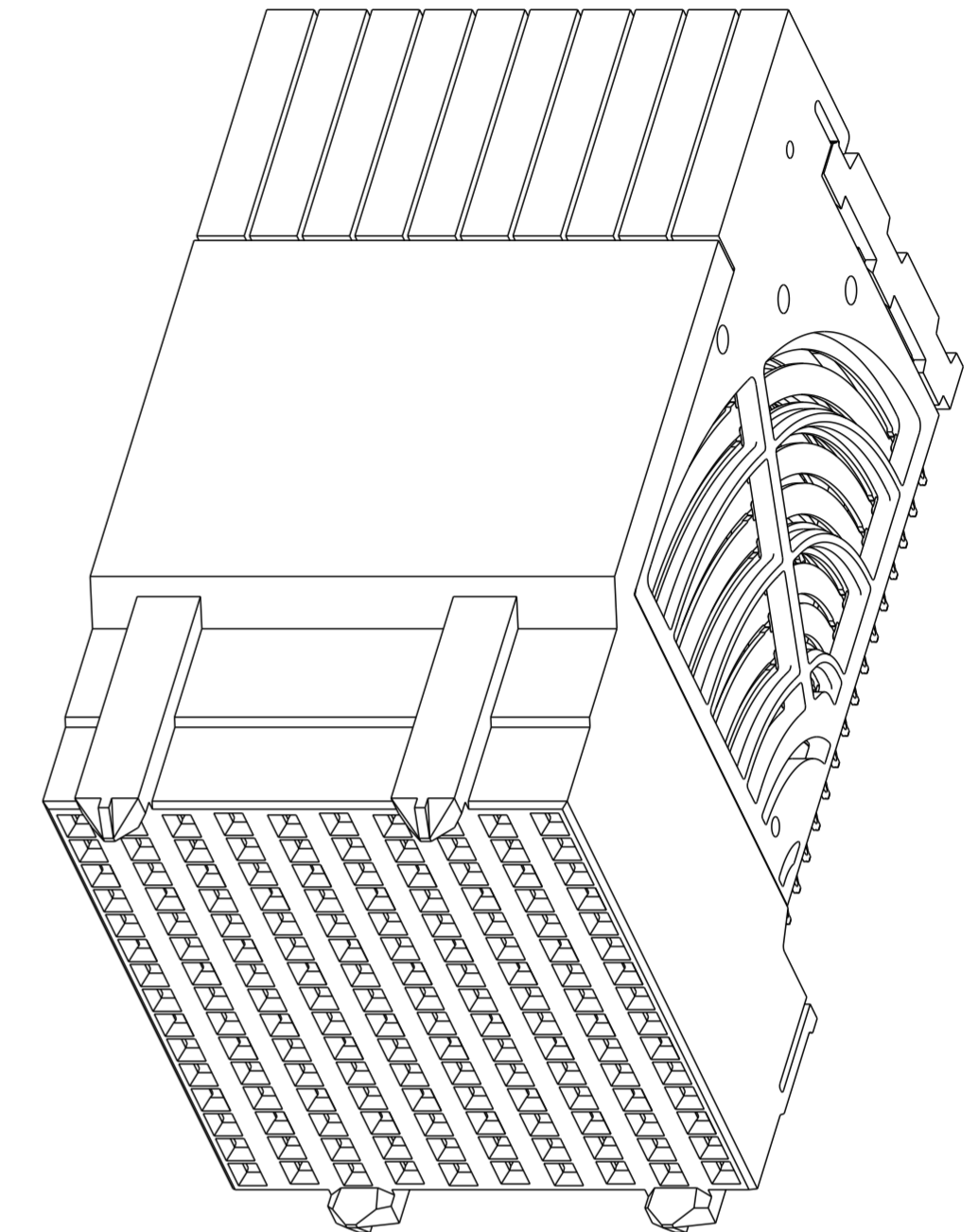


RECOMMENDED PCB LAYOUT
FOR DIFFERENTIAL APPLICATIONS
COMPONENT SIDE
(TWO ADJACENT FOOTPRINTS SHOWN)
NOTES 6, 8, & 11

spec ref	---	dr	Lin-See Ngwe	2012/09/05	projection	MM	size	A2	scale	1:1		
tolerance std	ASME Y14.5M	eng	Jackie Chen	2015/01/27			ecn no	ELX-DG-20056-1				
TOLERANCES UNLESS OTHERWISE SPECIFIED		chr	-	appr			Collins Lu	2015/01/28	product family	AirMax VSE	rel level	Released
surface	✓	linear	0.X	±.3		AIRMAX VS2 R.A. RECEPTACLE ASS'Y, 5 PAIR, 150 POS, 10 IMLA, 20MM, Std PF	dwg no 10122665	rev B	www.fci.com			
			0.XX	±.10					cat. no.	-	Product - Customer Drw	sheet 2 of 3
		angular	0°	±°								

PRODUCT NUMBER	PRESS-FIT TAIL PLATING TYPE
10122665-101	TIN/LEAD ALLOY OVER NICKEL
10122665-101LF	TIN OVER NICKEL (LEAD FREE)

- 1 - CONNECTOR MATERIALS:
HOUSING: HIGH TEMP THERMOPLASTIC, NATURAL, UL94-V0
IMLA PLASTIC: HIGH TEMP THERMOPLASTIC, BLACK, UL94-V0
CONTACT: COPPER ALLOY
ORGANIZER: HIGH TEMP THERMOPLASTIC, WHITE, UL94-V0
- 2 - CONTACT PLATING:
SEPARABLE INTERFACE:
PERFORMANCE-BASED PLATING, QUALIFIED TO MEET THE REQUIREMENTS OF FCI PRODUCT SPECIFICATION GS-12-0956 INCLUDING TELCORDIA GR-1217-CORE (NOVEMBER 1995) CENTRAL OFFICE TEST SEQUENCE
- PRESS-FIT TAILS: SEE TABLE
- 3 - PRODUCT SPECIFICATION: GS-12-0956
- 4 - APPLICATION SPECIFICATION: GS-20-0305.
- 5 - PRODUCT MARKING, (PROTOTYPE, PART NUMBER & LOT CODE), ON THIS SURFACE.
- 6 - THE MINIMUM CENTERLINE SPACING BETWEEN ADJACENT MODULES IS 20.0 MM.
- 7 - CONNECTOR OUTLINE MAY BE SCREEN PRINTED ONTO CUSTOMER PCB TO BE USED AS A GUIDE FOR MANUAL CONNECTOR PLACEMENT.
- 8 - REFER TO CUSTOMER DRAWING 10104444 FOR INFORMATION ON PCB HOLE DIAMETERS AND PLATING OPTIONS
- 9 - LEAD FREE PRODUCT MEETS THE EUROPEAN UNION DIRECTIVES & OTHER COUNTRY REGULATIONS AS DESCRIBED IN GS-22-008
- 10 - PACKAGING MEETS GS-14-920 LEAD FREE LABELING SPECIFICATION.
- 11 - GROUND CONTACTS (C,F,I,L AND O IN ODD COLUMNS AND A,D,G,J AND M, EVEN COLUMNS) REQUIRE (Ø0.500) FINISHED HOLES. SIGNAL LOCATIONS REQUIRE (Ø0.500) FINISHED HOLES.
- 12 - THESE OUTER VIAS (P) ARE OPTIONAL. WHILE NO CONNECTOR PINS ARE PRESSED INTO THESE HOLES, WE RECOMMEND (Ø 0.500) FINISHED HOLES AT THESE LOCATIONS TO PROVIDE GROUND SYMMETRY THROUGH THE PCB.



10122665-101 OR -101LF
SCALE 4:1

Copyright FCI. FCI

spec ref	---	dr	Lin-Soe Ngwe	2012/09/05	projection	MM	size	A2	scale	4:1													
tolerance std	ASME Y14.5M	eng	Jackie Chen	2015/01/27			ecn no	ELX-DG-20056-1															
TOLERANCES UNLESS OTHERWISE SPECIFIED		chr	-	rel level			Released																
surface	<table border="1"> <tr> <td>linear</td> <td>0.X</td> <td>±.3</td> </tr> <tr> <td></td> <td>0.XX</td> <td>±.10</td> </tr> <tr> <td></td> <td>0.XXX</td> <td>±.050</td> </tr> <tr> <td>angular</td> <td>0°</td> <td>±°</td> </tr> </table>	linear	0.X	±.3		0.XX	±.10		0.XXX	±.050	angular	0°	±°	appr	Collins Lu	2015/01/28	product family			cat. no.	10122665	rev	B
linear	0.X	±.3																					
	0.XX	±.10																					
	0.XXX	±.050																					
angular	0°	±°																					
		www.fci.com		title		AIRMAX VS2 R.A. RECEPTACLE		ASS'Y, 5 PAIR, 150 POS, 10 IMLA, 20MM, Std PF		Product - Customer Drw													

PDS: Rev :B

STATUS:Released

Printed: Feb 03, 2015