

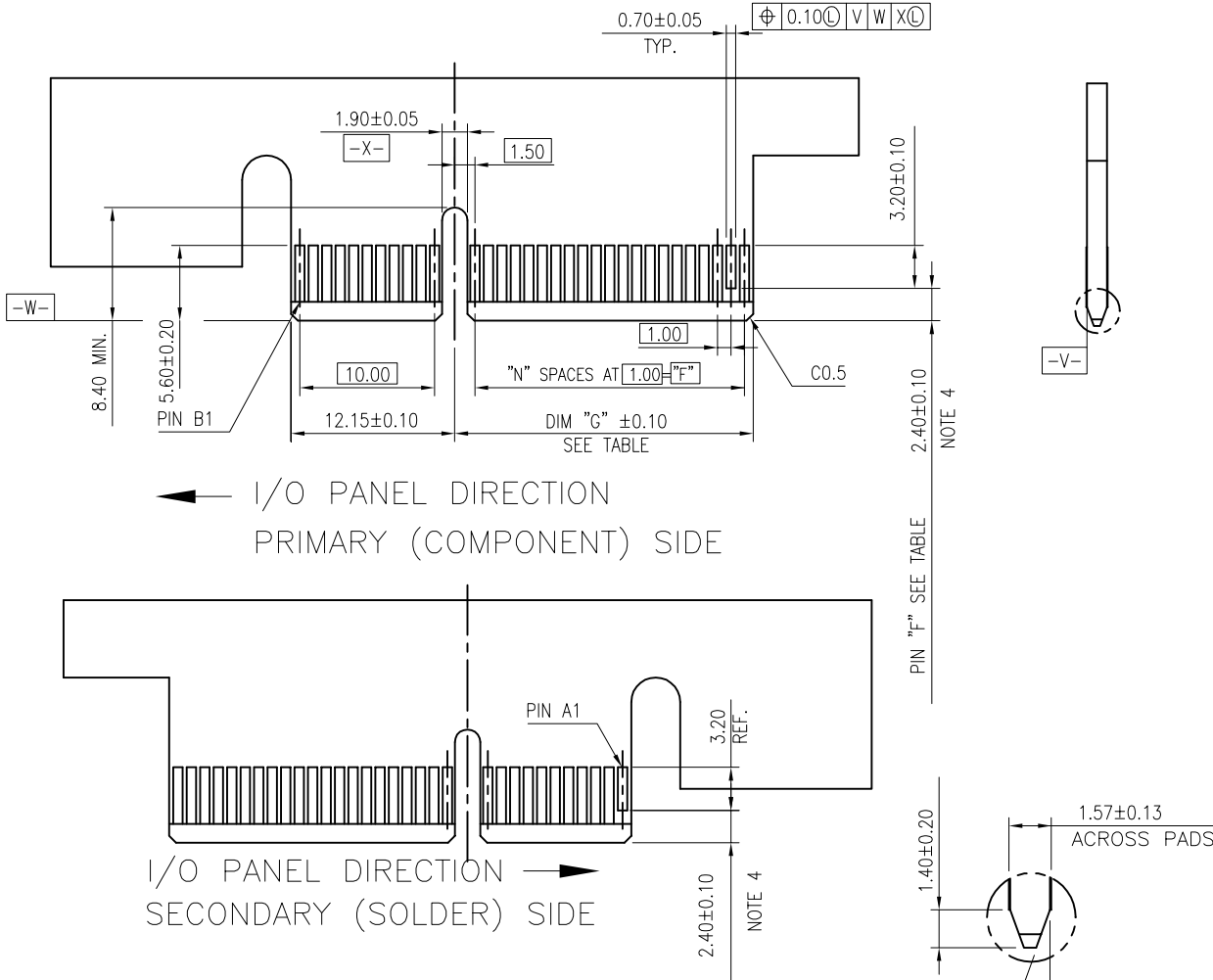
HOLD DOWN TYPE



FCIconnect.com

Copyright FCI

mat'l. code		surface 58/ISO 1302		tolerance ISO 406 ISO 1101		projection		product family	
-		✓		ISO 1101		MM		PCI_EXPRESS	
ltr	ecn no	dr	date	tolerances unless otherwise specified		MM		title	
D	T07-1120	RC	07/31/'07	angles	linear	MM		PCI_EXPRESS_CARD_EDGE ASSEMBLY(SMT)	
E	DG08-0111	RC	05/08/'08	0°±2'		scale 1			
F	T08-1097	RC	06/03/'08						
G	T08-1XXX	RC	9/9/08	dr	MAGGIE_WU	06'/6/21		dwg no sheet 1 of 6 size	
H	T10-0007	JH	1/30/10	engr	RICHARD_CHIU	06'/6/21		10061913 A4	
J	ELX-DG-14311	WL	2013/03/21	chr	PAUL_WANG	06'/6/21			
K	ELX-DG-16289	ST	2013/11/13	app	JOSEPH_HSIA	06'/6/21		type CUSTOMER Drawing	
sheet index	revision sheet	K	K	K	K	K	K		
		1	2	3	4	5	6		



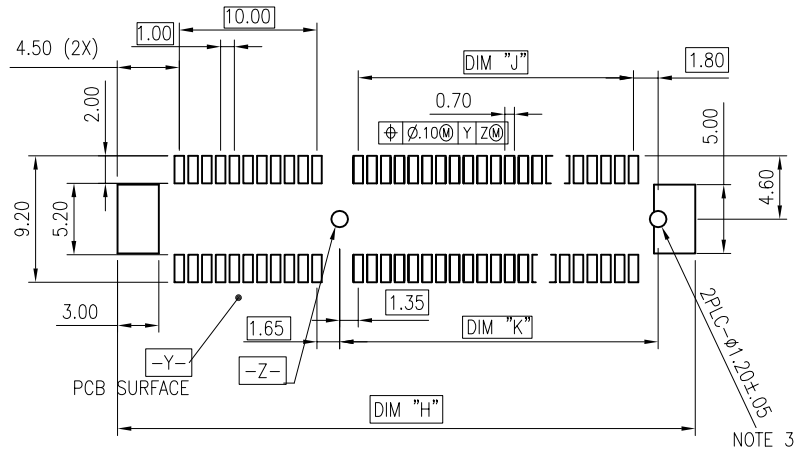
#	POS	REF.	N	DIM "G"	DIM "F"	"F"
36	6		8.15	6.00	B17	
64	20		22.15	20.00	B31	
98	37		39.15	37.00	B48	
164	70		72.15	70.00	B81	

ADD-IN CARD EDGE-FINGER DIMENSIONS

mat'l. code				surface 58/ISO 1302		tolerance ISO 406 ISO 1101		projection		product family PCI_EXPRESS				
ltr ecn no dr date				tolerances unless otherwise specified						title				
K - - -				angles linear		.X±.2		MM		PCI_EXPRESS_CARD_EDGE ASSEMBLY(SMT)				
				0°±2'		.XX±.13		scale 2		dwg no		sheet 2 of 6		size
				dr MAGGIE_WU		06'/6/21		FCJ		10061913		A4		
				enr RICHARD_CHIU		06'/6/21								
				chr PAUL_WANG		06'/6/21								
				app JOSEPH_HSIA		06'/6/21								
sheet index		revision sheet		K 2						type		CUSTOMER Drawing		



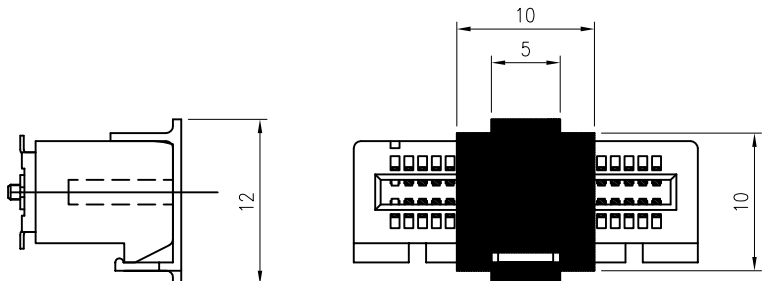
Copyright FCI



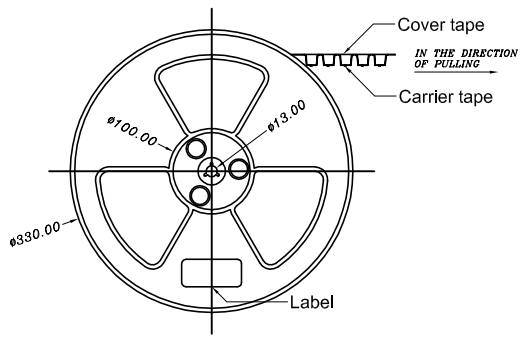
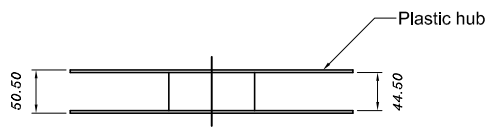
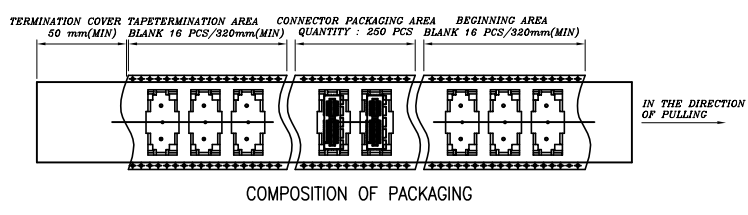
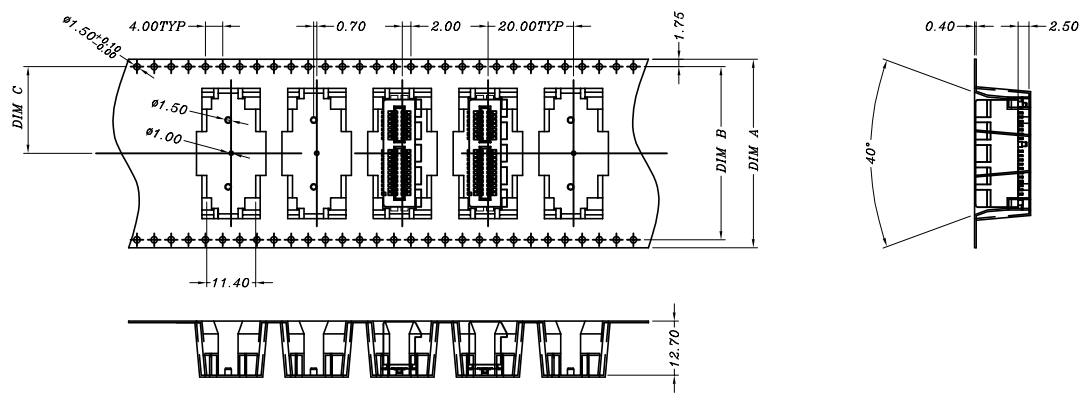
RECOMMENDED PCB LAYOUT, PAD TYPE

DIMENSIONS								
POSITION	A	B ± 0.15 -0.05	C ± 0.20	D ± 0.23	E ± 0.20	H ± 0.10	J	K ± 0.10
36	6.00	7.65	9.15	25.00	27.00	28.00	6.00	9.15
64	20.00	21.65	23.15	39.00	41.00	42.00	20.00	23.15
98	37.00	38.65	40.15	56.00	58.00	59.00	37.00	40.15
164	70.00	71.65	73.15	89.00	91.00	92.00	70.00	73.15

POSTION OF CAP



mat'l. code				surface 58/ISO 1302		tolerance ISO 406 ISO 1101		projection		product family			
-				✓		ISO 1101		MM		PCI_EXPRESS			
ltr	ecn no	dr	date	tolerances unless otherwise specified						title			
K	-	-	-	angles linear		.X±.2		MM		PCI_EXPRESS_CARD_EDGE ASSEMBLY(SMT)			
				0°±2'		.XX±.13		scale 2		dwg no		sheet 3 of 6	size
				dr	MAGGIE_WU	06'/6/21	FCI		10061913		A4		
				enr	RICHARD_CHIU	06'/6/21							
				chr	PAUL_WANG	06'/6/21							
				app	JOSEPH_HSIA	06'/6/21							
sheet index		revision sheet		K	3								



TAPE AND REEL
PACKING
RECOMMENDED FOR
36PINS ONLY

DIMENSIONS					
POSITIONS	A	B	C	D REF.	E REF.
36 (10061913-xxxxALF)	44.00	40.40	20.20	44.5	50.5
64	56.00	52.60	26.30	56.4	60.4

mat'l. code			surface 58/ISO 1302		tolerance ISO 406 ISO 1101		projection		product family		
-			✓		ISO 1101		MM		PCI_EXPRESS		
ltr	ecn no	dr	date	tolerances unless otherwise specified				title			
K	-	-	-	angles	linear	.X±.3	MM		PCI_EXPRESS_CARD_EDGE ASSEMBLY(SMT)		
				0°±2'		.XX±.20	scale 1		dwg no		
				dr	MAGGIE_WU	06'/6/21	FCJ		sheet 5 of 6		size
				enr	RICHARD_CHIU	06'/6/21			10061913		A4
				chr	PAUL_WANG	06'/6/21			type		
				app	JOSEPH_HSIA	06'/6/21			CUSTOMER Drawing		
sheet index	revision sheet	K	5								



Copyright FCI

1 For PCI EXPRESS SMT TYPE 36P ONLY.

2. Material :

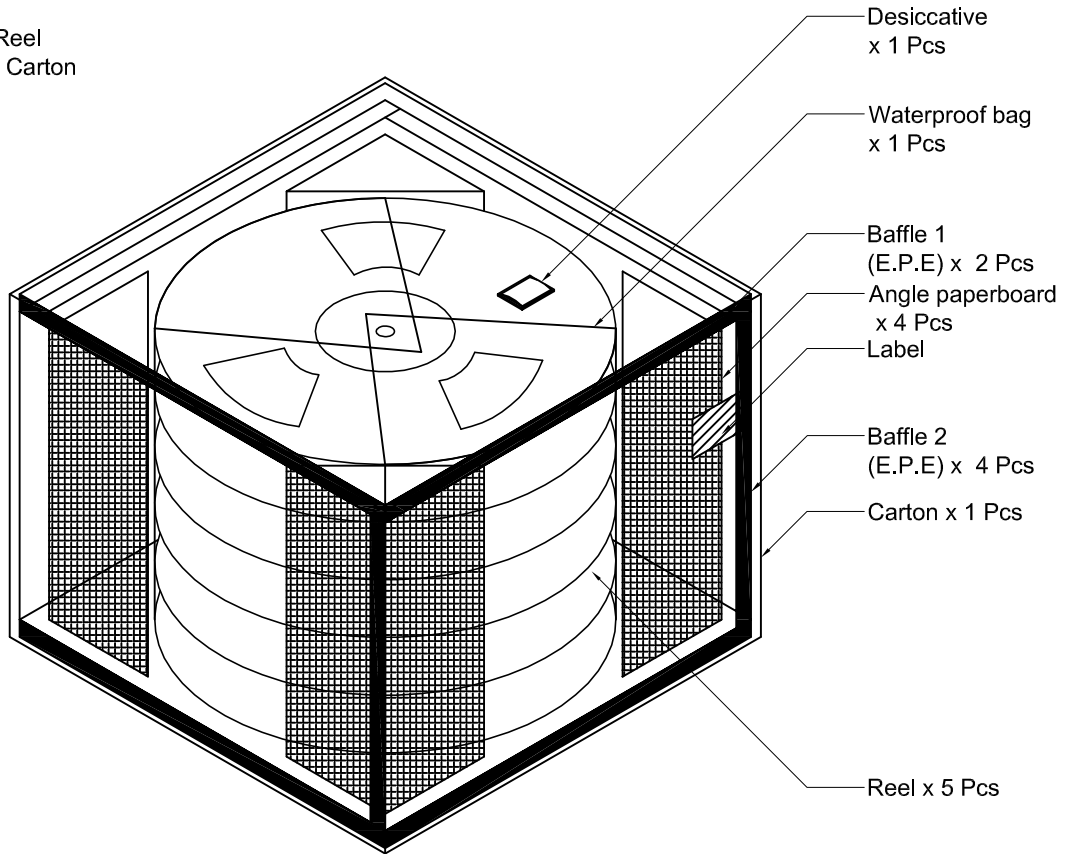
- 2.1 Reel :
 - 2.1.1 Plastic hub : High Impact Polystyrene
 - 2.1.2 Cover tape : PE
 - 2.1.3 Carrier tape : ABS
- 2.2 Waterproof bag : PE
- 2.3 Desiccative : Silica Gel
- 2.4 Carton : Corrugated paper
- 2.5 Baffle : E.P.E
- 2.6 Angle paperboard : Corrugated paper

3. Dimension :

- 3.1 Reel :
 - 3.1.1 Plastic hub : $\phi 330 \times T50.5$ mm
 - 3.1.2 Cover tape : 5690(L) x 37.4(W) mm
 - 3.1.3 Carrier tape : 5640(L) x 44(W)mm
- 3.2 Waterproof bag : 600(H) x 465(W) x 0.06(T) mm
- 3.3 Desiccative : 25 gram / Package
- 3.4 Carton : 380(L) x 380(W) x 300(H) mm
- 3.5 Baffle (1): 370(L) x 370(W) x 15(H) mm
- 3.6 Baffle (2): 355(L) x 252(W) x 15(H) mm
- 3.7 Angle paperboard : 252(H)

4. Quantity :

- 4.1 250 Pcs / Reel
- 4.2 1250 Pcs / Carton



FCIconnect.com

Copyright FCI

mat'l. code				surface 58 / tolerance		projection		product family			
-				ISO 1302 <input checked="" type="checkbox"/> ISO 406 ISO 1101				PCI_EXPRESS			
ltr	ecn no	dr	date	tolerances unless otherwise specified				title			
K	-	-	-	angles	linear	.X \pm .3		PCI_EXPRESS_CARD_EDGE ASSEMBLY(SMT)			
				0'±2'		.XX±.20		MM			
						XXX±.10		scale 1			
				dr	MAGGIE_WU	06'/6/21		dwg no		sheet 6 of 6	size
				enr	RICHARD_CHIU	06'/6/21		10061913			A4
				chr	PAUL_WANG	06'/6/21					
				app	JOSEPH_HSIA	06'/6/21		type CUSTOMER Drawing			
sheet index	revision	K									
	sheet	6									

Mouser Electronics

Authorized Distributor

Click to View Pricing, Inventory, Delivery & Lifecycle Information:

FCI:

[10061913-102TLF](#)