

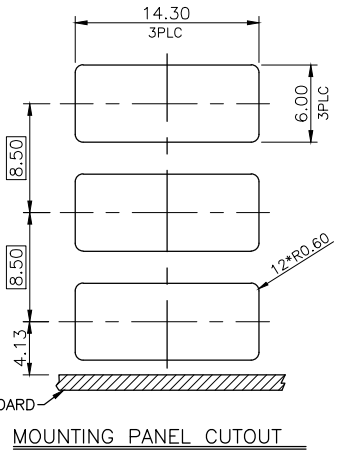
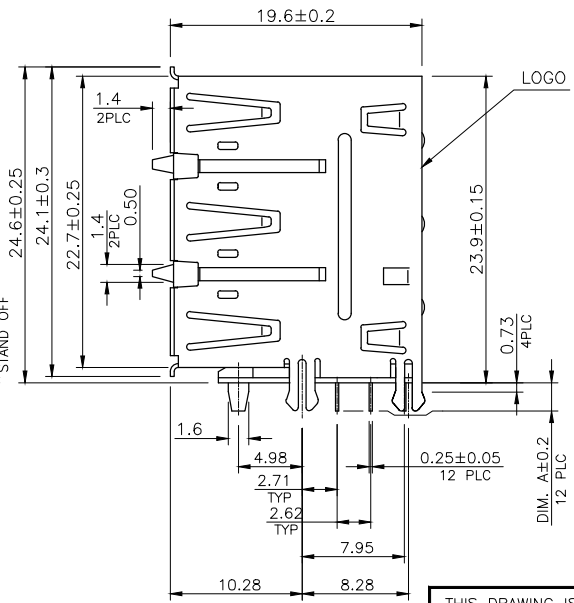
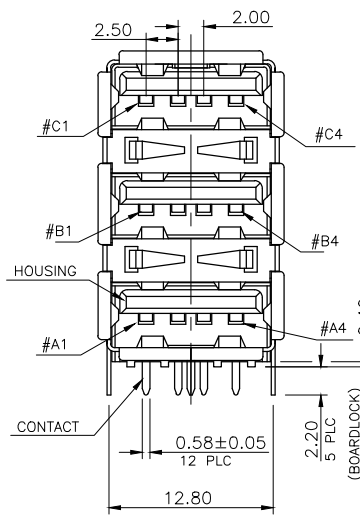
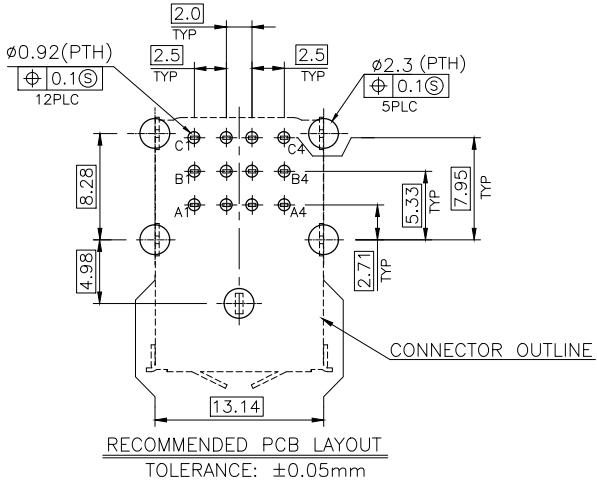
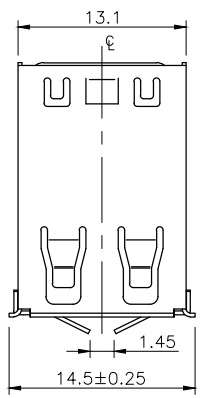
THIS DRAWING IS UNPUBLISHED. RELEASED FOR PUBLICATION
 © COPYRIGHT BY TYCO ELECTRONICS CORPORATION. ALL RIGHTS RESERVED.

LOC DW DIST

REVISIONS

P	LTR	DESCRIPTION	DATE	DWN	APVD
D2		REVISED (ECR-14-005336)	24JUL14	SW	HL

- NOTES:
- MATERIAL:
 HOUSING: A. PA6T WITH 30% GF, UL 94V-0, COLOR: SEE TABLE.
 B. PA9T WITH 33% GF, UL 94V-0, COLOR: BLACK.
 CONTACTS: PHOSPHOR BRONZE.
 SHELL: PHOSPHOR BRONZE.
 SPRING: STAINLESS.
 REAR SHELL: PHOSPHOR BRONZE.
 - FINISH:
 CONTACTS: GOLD PLATING (SEE TABLE) IN CONTACT AREA,
 2.54µm[100µ"] MIN. MATTE TIN PLATING ON SOLDERTAILS,
 1.27µm[50µ"] MIN. NICKEL UNDERPLATED OVER ALL.
 SHELL: A. 2.54µm[100µ"] MIN. BRIGHT TIN PLATING OVER
 1.27µm[50µ"] MIN. NICKEL UNDERPLATED, OR
 B. 2.54µm[100µ"] MIN. NICKEL PLATING OVER ALL.
 SPRING: 1.27µm[50µ"] MIN. NICKEL PLATING.
 REAR SHELL: 1.27µm[50µ"] MIN. NICKEL PLATING.
 - RECOMMENDED PCB THICKNESS: 1.6mm.
 - WAVE SOLDER CAPABLE TO 265° PER TE CONNECTIVITY SPEC. 109-202, CONDITION B.
 - RELOW SOLDER CAPABLE TO 260° PER TE CONNECTIVITY SPEC. 109-201, CONDITION B.
 - "▲" APPLIED FOR 1-1734309-5 ONLY
- △ OBSOLETE PARTS: OBSOLETE CIS STREAMLINING PER D.RENAUD/D.SINISI



DIM A	HOUSING COLOR	MIN. GOLD THICKNESS	PART NUMBER
2.84	BEIGE (726C)	15µ"	2-1734309-8
	BLACK (426C)	15µ"	2-1734309-7
	BEIGE (726C)	30µ"	2-1734309-6
	BLACK (426C)	30µ"	2-1734309-5
2.2	BEIGE (726C)	5µ"	2-1734309-4
	BLACK (426C)	5µ"	2-1734309-3
	BEIGE (726C)	C/F	2-1734309-2
	BLACK (426C)	C/F	2-1734309-1

WITH SPRING

THIS DRAWING IS A CONTROLLED DOCUMENT.

DIMENSIONS: MM

TOLERANCES UNLESS OTHERWISE SPECIFIED:

0 PLC	±
1 PLC	±0.30
2 PLC	±0.25
3 PLC	±0.20
4 PLC	±
ANGLES	± 3'

MATERIAL: SEE NOTE

FINISH: SEE NOTE

THIS DRAWING IS A CONTROLLED DOCUMENT.

DWN: B. HSING 06FEB2009

CHK: S. CHIEN 06FEB2009

APVD: W. KODAMA 06FEB2009

PRODUCT SPEC: 108-57519

APPLICATION SPEC: -

WEIGHT: 9.2 GRAMS

CUSTOMER DRAWING

TE TE Connectivity

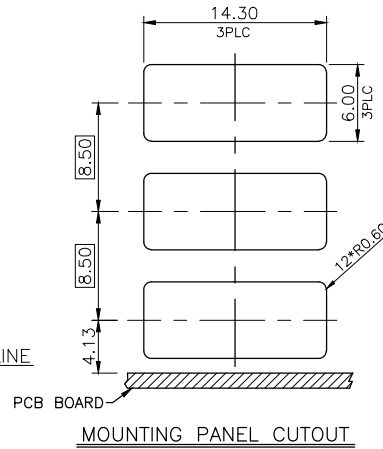
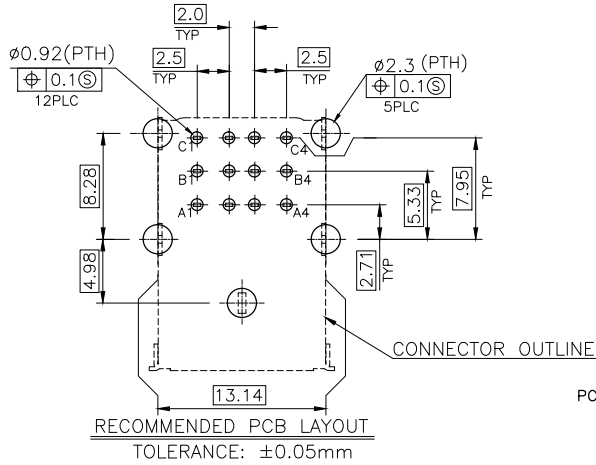
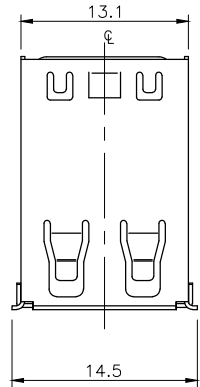
NAME: TRIPLE STACKED USB, A TYPE, RECEPTACLE, R/A, DIP CONN.

SIZE: A3 CAGE CODE: 00779 DRAWING NO: C=1734309 RESTRICTED TO

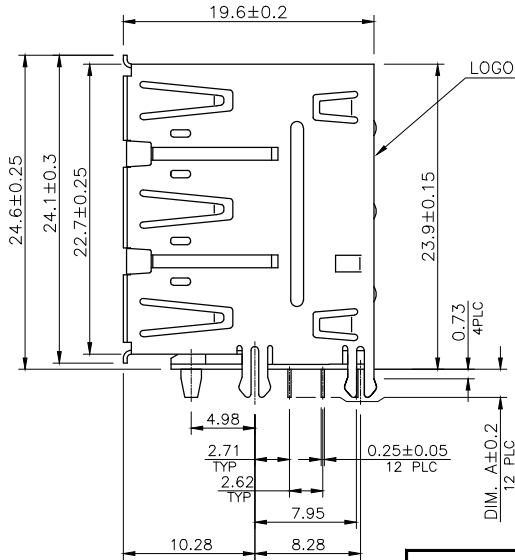
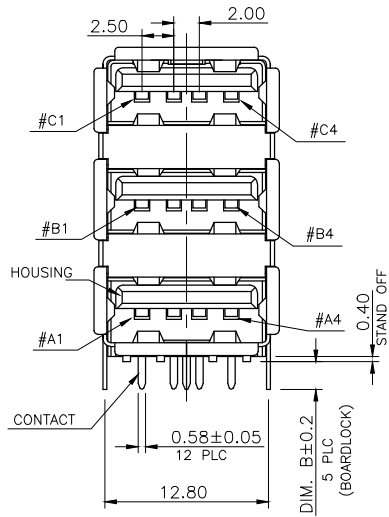
SCALE: - SHEET: 1 OF 3 REV: D2

THIS DRAWING IS UNPUBLISHED. RELEASED FOR PUBLICATION
 © COPYRIGHT BY TYCO ELECTRONICS CORPORATION. ALL RIGHTS RESERVED.

LOC		DIST		REVISIONS			
P	LTR	DESCRIPTION		DATE	DWN	APVD	
		SEE SHEET 1.					



WITHOUT SPRING



DIM B	DIM A	HOUSING COLOR	MIN. GOLD THICKNESS	PART NUMBER
2.84	2.84	BLACK (426C)	15μ"	5-1734309-7
7		OBsolete		
7		OBsolete		
7		OBsolete		
2.84	2.84	-BEIGE (726C)	15μ"	3-1734309-8
		BLACK (426C)	15μ"	3-1734309-7
		-BEIGE (726C)	30μ"	3-1734309-6
		BLACK (426C)	30μ"	3-1734309-5
2.2	2.84	-BEIGE (726C)	5μ"	3-1734309-4
		BLACK (426C)	5μ"	3-1734309-3
		-BEIGE (726C)	G/F	3-1734309-2
		BLACK (426C)	G/F	3-1734309-1
2.2	2.2	-BEIGE (726C)	15μ"	1-1734309-8
		BLACK (426C)	15μ"	1-1734309-7
		-BEIGE (726C)	30μ"	1-1734309-6
		BLACK (426C)	30μ"	1-1734309-5
		-BEIGE (726C)	5μ"	1-1734309-4
		BLACK (426C)	5μ"	1-1734309-3
		-BEIGE (726C)	G/F	1-1734309-2
		BLACK (426C)	G/F	1-1734309-1

THIS DRAWING IS A CONTROLLED DOCUMENT.

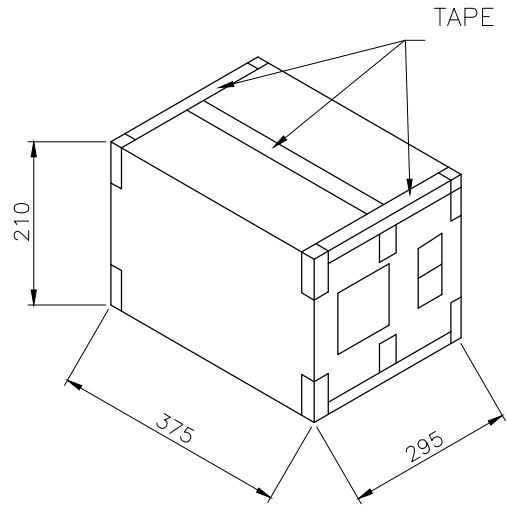
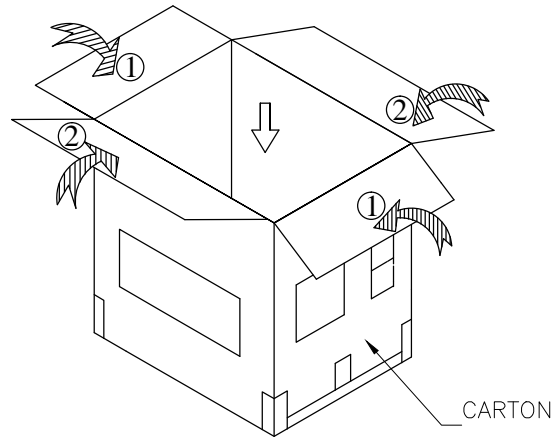
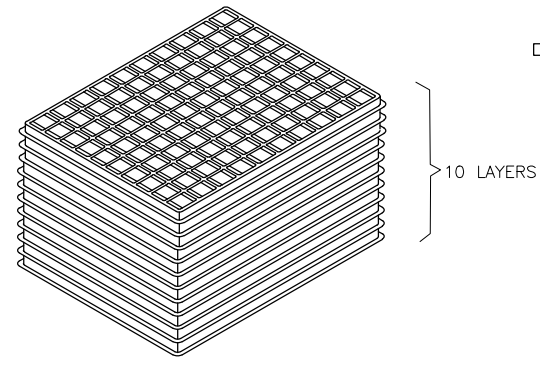
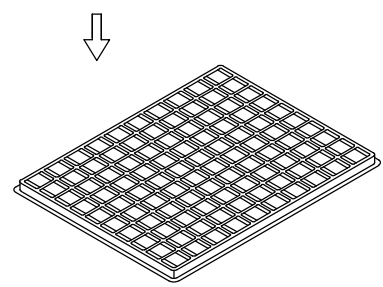
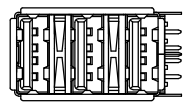
DIMENSIONS: MM	TOLERANCES UNLESS OTHERWISE SPECIFIED:	DWN	TE Connectivity	
0 PLC ±	1 PLC ±0.30	CHK	NAME	
2 PLC ±0.25	3 PLC ±0.20	APVD	TRIPLE STACKED USB, A TYPE, RECEPTACLE, R/A, DIP CONN.	
4 PLC ±	ANGLES ± 3'	PRODUCT SPEC	SIZE	CAGE CODE
MATERIAL	FINISH	APPLICATION SPEC	DRAWING NO	RESTRICTED
		WEIGHT	9.0 GRAMS	A3 00779 C=1734309
		CUSTOMER DRAWING	SCALE	SHEET 2 OF 3 REV D2

THIS DRAWING IS UNPUBLISHED. RELEASED FOR PUBLICATION
 © COPYRIGHT BY TYCO ELECTRONICS CORPORATION. ALL RIGHTS RESERVED.

LOC DW DIST

REVISIONS				
P	LTR	DESCRIPTION	DATE	APVD
		SEE SHEET 1.		

100PCS/TRAY



13.0	12.0	100	10	1000
G/W (KG)	N/W (KG)	PCS/TRAY	TRAY/CARTON	PCS/CARTON

THIS DRAWING IS A CONTROLLED DOCUMENT.		DWN	TE TE Connectivity		
DIMENSIONS: MM		CHK			
TOLERANCES UNLESS OTHERWISE SPECIFIED:		APVD	NAME		
0 PLC ± -	TOLERANCES UNLESS OTHERWISE SPECIFIED: 0 PLC ± - 1 PLC ± - 2 PLC ± - 3 PLC ± - 4 PLC ± - ANGLES ± -	PRODUCT SPEC	TRIPLE STACKED USB, A TYPE, RECEPTACLE, R/A, DIP CONN.		
1 PLC ± -		APPLICATION SPEC	SIZE	CAGE CODE	DRAWING NO
2 PLC ± -		FINISH	A3	00779	©=1734309
3 PLC ± -		MATERIAL	CUSTOMER DRAWING		
4 PLC ± -		WEIGHT	SCALE	SHEET 3 OF 3	
				REV D2	