

PC Card Connectors (Continued)

Frame Kits (Continued)

Non-CardBus, Series III, Sonic Weld, With I/O Port

Bottom Frame

Shielded — Yes

Frame Material — Stainless Steel

Cover Material — Stainless Steel

Voltage — 5V

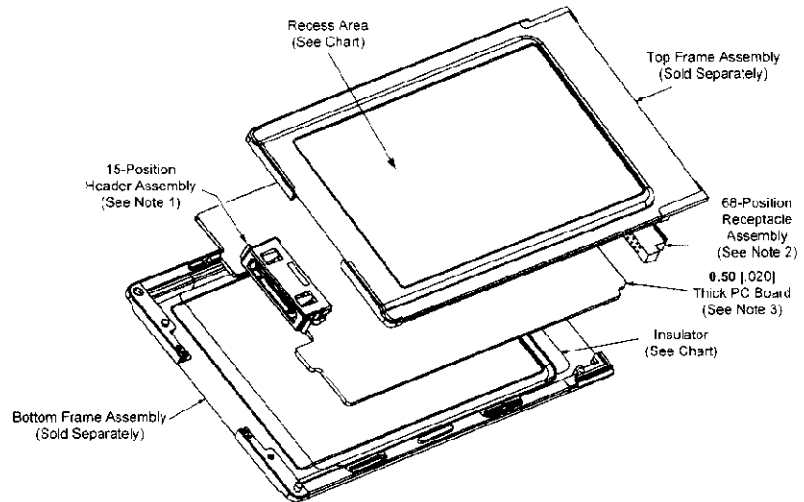
PC Card Headers — see page 49 in Sockets Section

Technical Documents

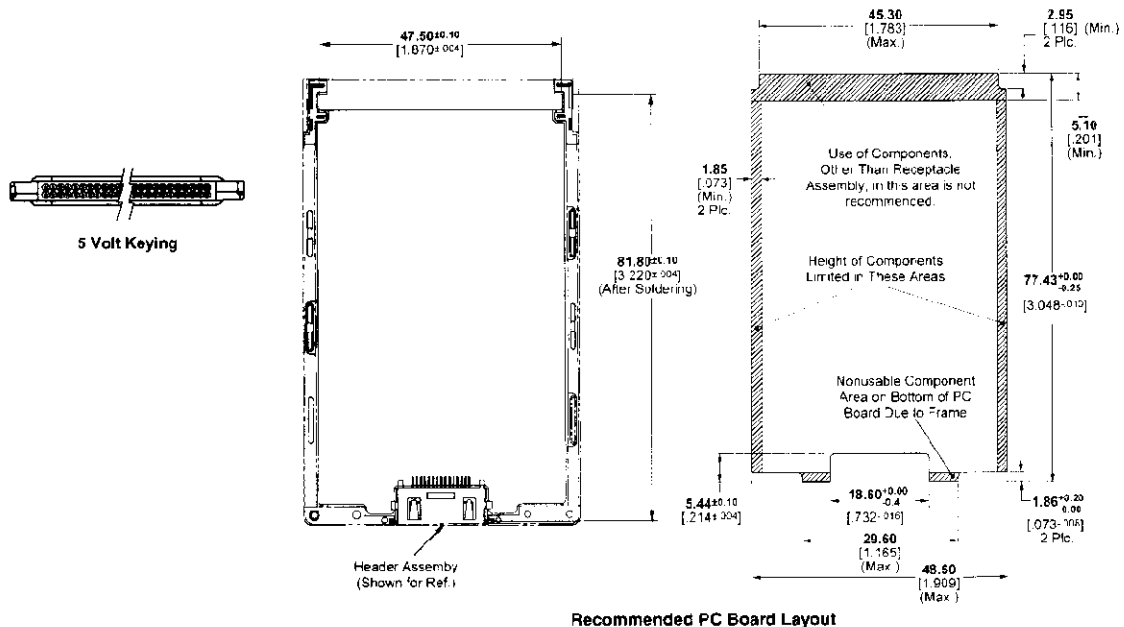
Application Specifications — 114-6058 and 114-1112

Application Tooling

Branson Ultrasonics Corporation



- Notes:** 1. The 15-position header assemblies are not included in the frame kit and must be purchased separately.
2. The 66-position receptacle assembly is not included in the frame kit and must be purchased separately.
3. The PC board is not included in the frame kit; recommended layout dimensions are shown below.
For detailed board layout specifications, request AMP Customer Drawing 406062 or 406063.



No. of Positions	PCB Offset	Recessed Areas	Insulated	Part Number
15	0.41 [.016]	No	Yes	1116176-2 ^{1,2,3}
15	0.41 [.016]	Yes	Yes	406062-3 ^{1,2}
Dual 15's	.000 [0.0]	No	Yes	406142-4 [†]

¹Recess areas are located on the frame assembly and cover. They will accommodate a label size of 38.80 [1.528] x 64.0 [2.52] with a maximum thickness of 0.076 [.003]. The recess area reduces the internal space between the board and covers by 0.076 [.003].

²UL recognition and CSA certification not applicable.

³0.4mm offset, right.