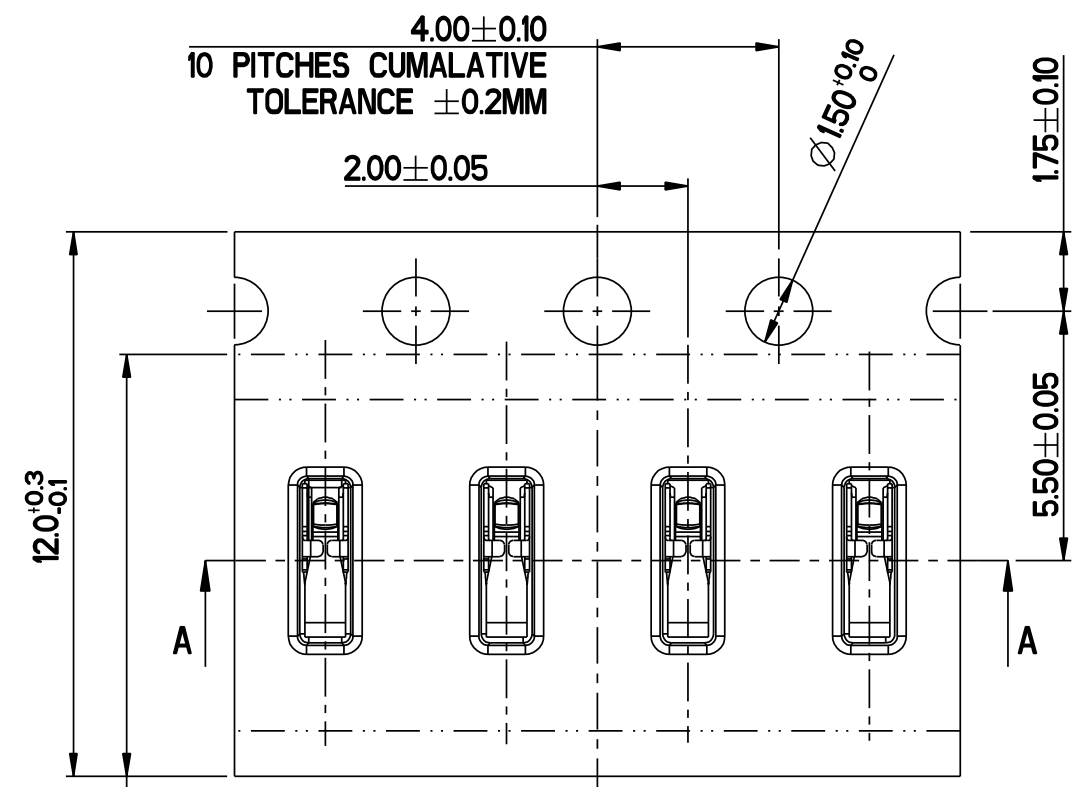


- NOTE:**
1. BERYLLIUM COPPER 0.1 THICK
 2. FINISH: NICKEL UNDERPLATE 1.0/3.0 MICRONS
 3. PRE-LOAD FORCE: 0.39 N @ CONTACT POINT
 4. FORCE @ MAXIMUM DEFLECTION: 0.68 N @ CONTACT POINT
 6. RINGED DIMENSIONS AND GEOMETRIC TOLERANCE ARE CRITICAL.
 7. 9500 PCS ONE REEL WITH 100 LEADER EMPTY POCKETS AND 100 TRAILER EMPTY POCKETS. REEL OUTER DIMETER IS ϕ 330mm, REEL HUB DIMETER IS ϕ 100mm.
 8. RECOMMENDED PCB PAD SIZE: 2.45 X 1.00 mm.

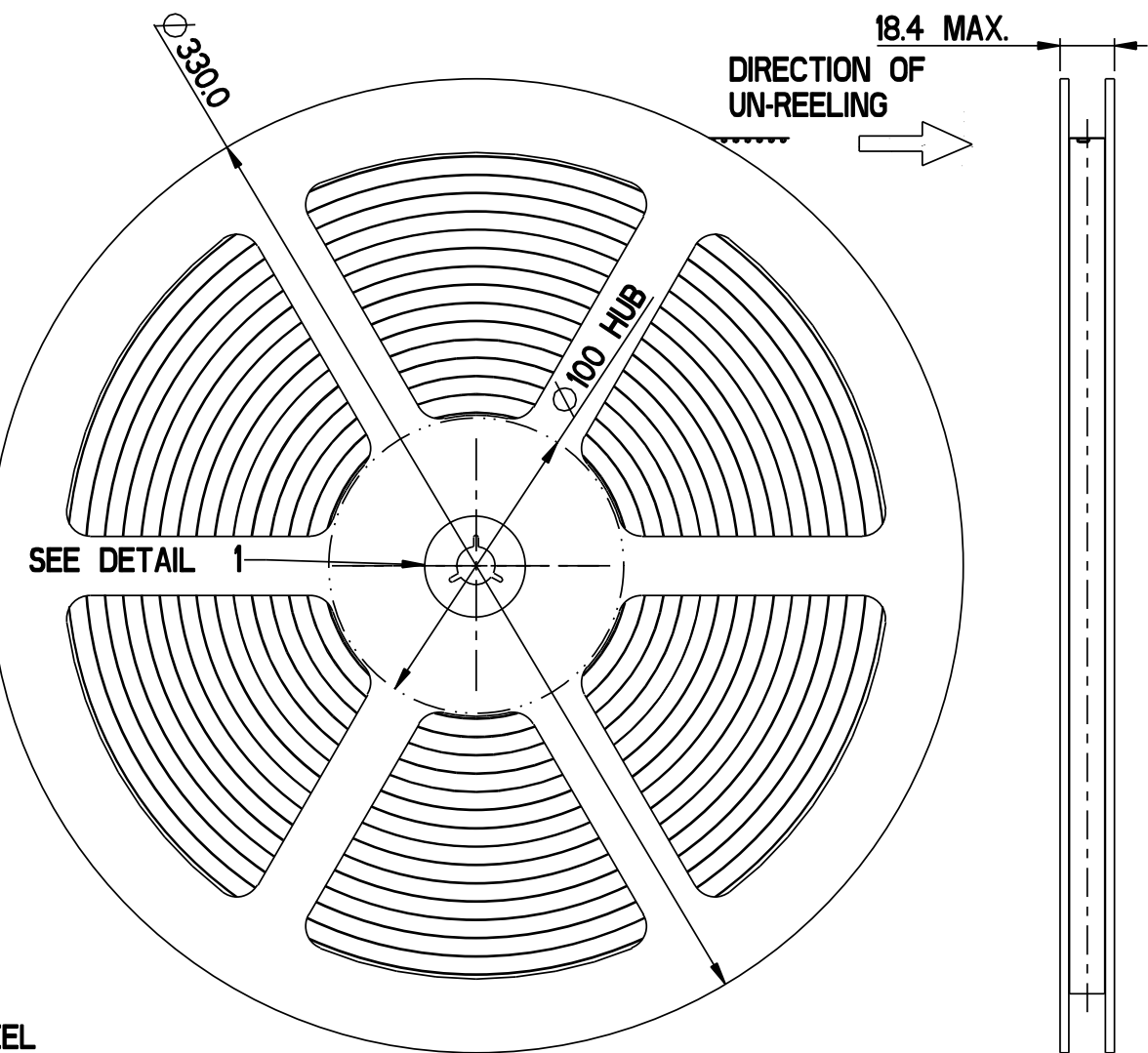
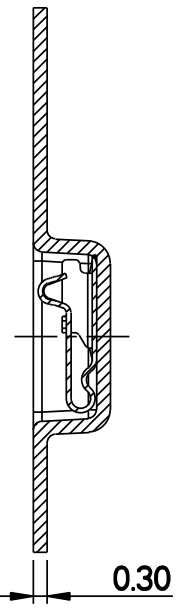
Tolerance Table	
x.x	± 0.15
x.xx	± 0.10
Angle	$\pm 2.0^\circ$

330-4007-000
PLATED NUMBER

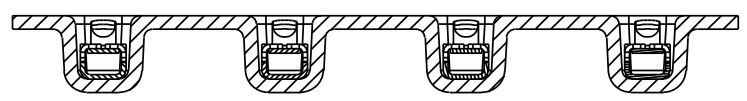
DO NOT SCALE						A3/B	
Drawn	LL	26-Apr-06	Material: BERYLLIUM COPPER 0.10 THICK	3rd ANGLE PROJECTION	Toupan Industrial Area, Jinda Cheng, Xiner Village, Shajing Town, Baoan District, Shenzhen City PRC 518125	Pro/E Generic Model	
Checked	KT	26-Apr-06				Title	
Engineer	LL	26-Apr-06				MICRO UNIVERSAL CONTACT 1.3mm	
Manufact.							
Assembly			Treatment:	Unless Specified	Ref: ""	Scale 20:1	Sheet 1 of 2
Quality							
Approvals	Sign	Date	Dimensions in: mm	Cust Spec No:		Drwg. No. CU-120220-0210	iss/rev B
This is issued in strict confidence on condition that it is not used as a basis for manufacture or sale and that it is not copied reprinted or disclosed to a third party either wholly or in part without the prior written consent of ITT Industries © 24-May-05							



SECTION B-B



9.3 ANTI-STATIC COVER TAPE
POLYESTER - 0.025 THICK
PRESSURE SEAL

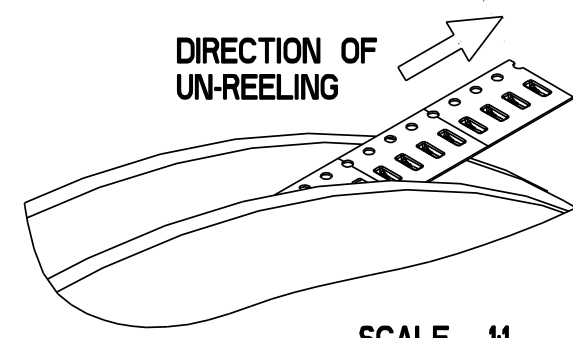


SECTION A-A

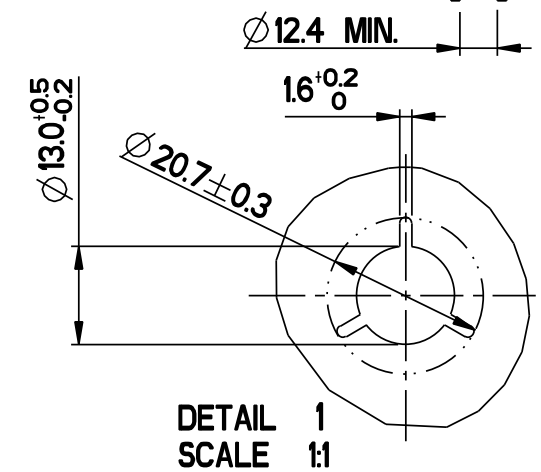
PACKAGING DETAILS

- 1) 9500 PCS TO BE PACKED PER REEL
- 2) LEADER : 400 MM
- 3) TRAILER : 400 MM
- 4) REEL MATERIAL - BLACK ANTI-STATIC POLYSTYRENE

NOTES:
1, UNSPECIFIED INTERNAL RADII R0.2 MM MAX.
2, CARRIER TAPE MATERIAL - BLACK CONDUCTIVE POLYSTYRENE.



SCALE 1:1



DETAIL 1
SCALE 1:1

DO NOT SCALE								A3/B	
Drawn	LL	26-Apr-06	Material: BERYLLIUM COPPER 0.10 THICK	3rd ANGLE PROJECTION	Toupan Industrial Area, Jinda Cheng, Xiner Village, Shajing Town, Baoan District, Shenzhen City PRC 518125	Pro/E Generic Model			
Checked	KT	26-Apr-06				Title			
Engineer.	LL	26-Apr-06				MICRO UNIVERSAL CONTACT 1.3mm			
Manufact.						Drwg. No. CU-120220-0210			
Assembly			Treatment:	Surface Roughness	Cannon Electronics (SZ) Co. Ltd.	Scale 1:1		Sheet 2 of 2	
Quality				Unless Specified		Drw. No. CU-120220-0210		iss/rev B	
Approvals	Sign	Date	Dimensions in: mm	Cust Spec No:		Scale 1:1		Sheet 2 of 2	
SEE SHEET 1			This is issued in strict confidence on condition that it is not used as a basis for manufacture or sale and that it is not copied, reprinted or disclosed to a third party either wholly or in part without the prior written consent of ITT Industries © 24-May-05						
Iss Rev	DCN/ECN or Description		Date						