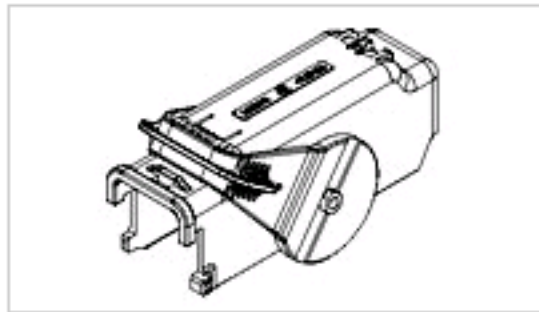


# 1801269-1 Product Details

[Share](#) [Print](#) [Email](#)



## Micro-Power & Power Quadlok System

COVER ASSY, 30 WAY HYBRID CONNECTOR

**1801269-1**

TE Internal Number: 1801269-1

Active

View 3D PDF

**Product Highlights** [View All](#)

- Accessory
- Accessory Type = Cover
- 30 Positions
- Color = Gray
- RoHS compliant, ELV compliant

- [Pricing & Availability](#)
- [Request Sample](#)
- [Add to My Part List](#)
- [Buy Product through Distributor](#)

Feedback

[Documents](#) | [Features](#) | [Compliance](#)

**Please Note:**  
Use the Product Drawing for all design activity

Product Type Features	
Product Type	Accessory
Accessory Type	Cover
Color	Gray

Body Features	
Lever Color	Brown
Material	PBT GF20

Configuration Features	
Number of Positions	30

Industry Standards	
RoHS/ELV Compliance	RoHS compliant, ELV compliant
Lead Free Solder Processes	Not relevant for lead free process
RoHS/ELV Compliance History	Always was RoHS compliant

Other	
Brand	TE Connectivity

**Related Products**

Not quite the product you're looking for?  
[Find Similar Products](#)

[View Part in Product Feature Selector](#)

[Check for Tooling](#)