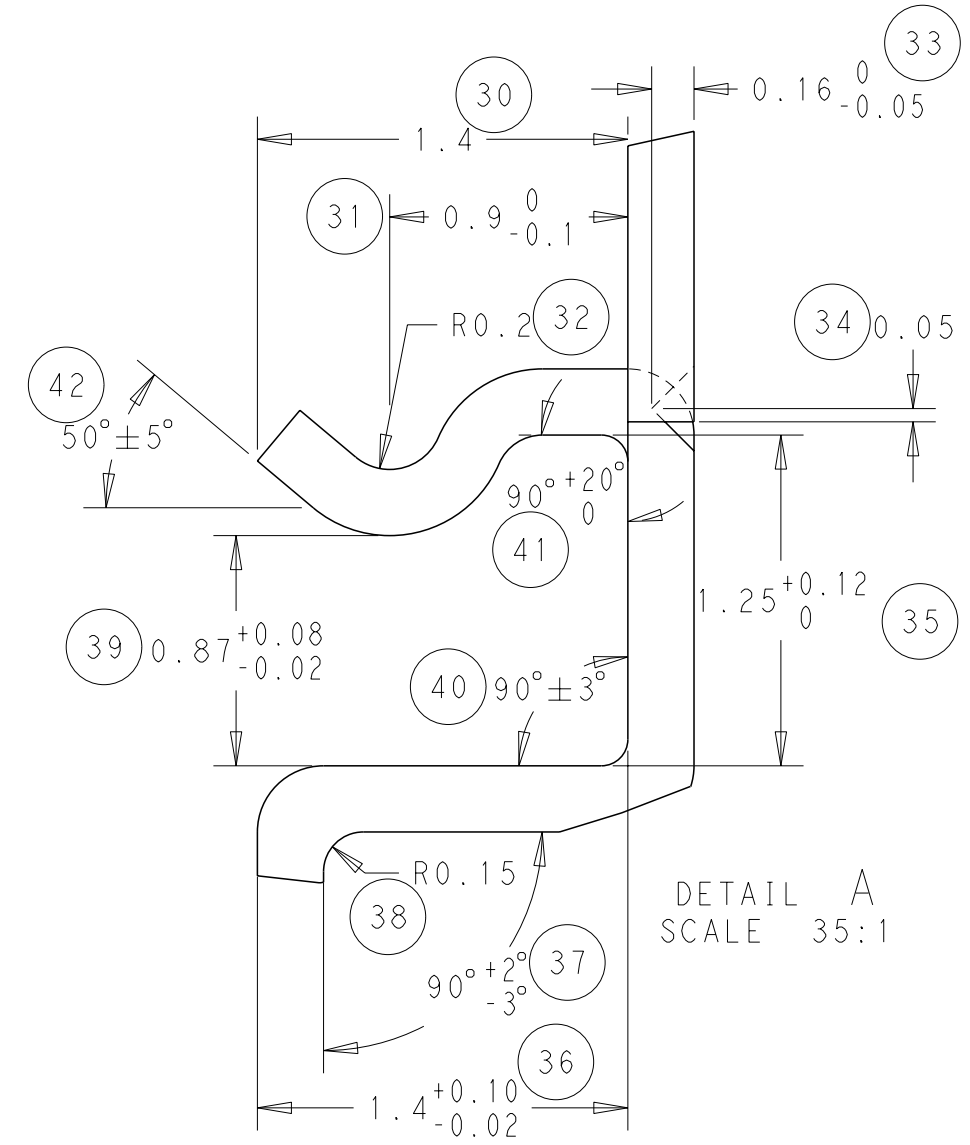
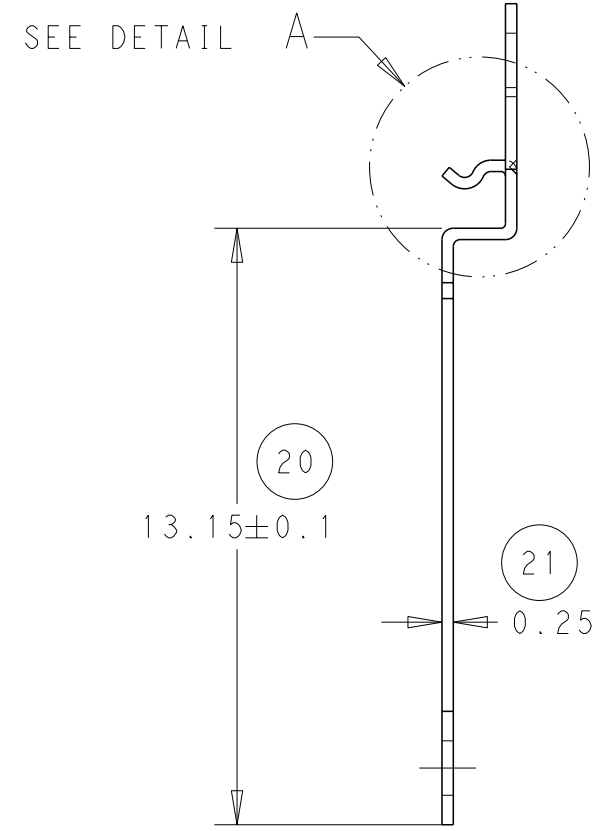
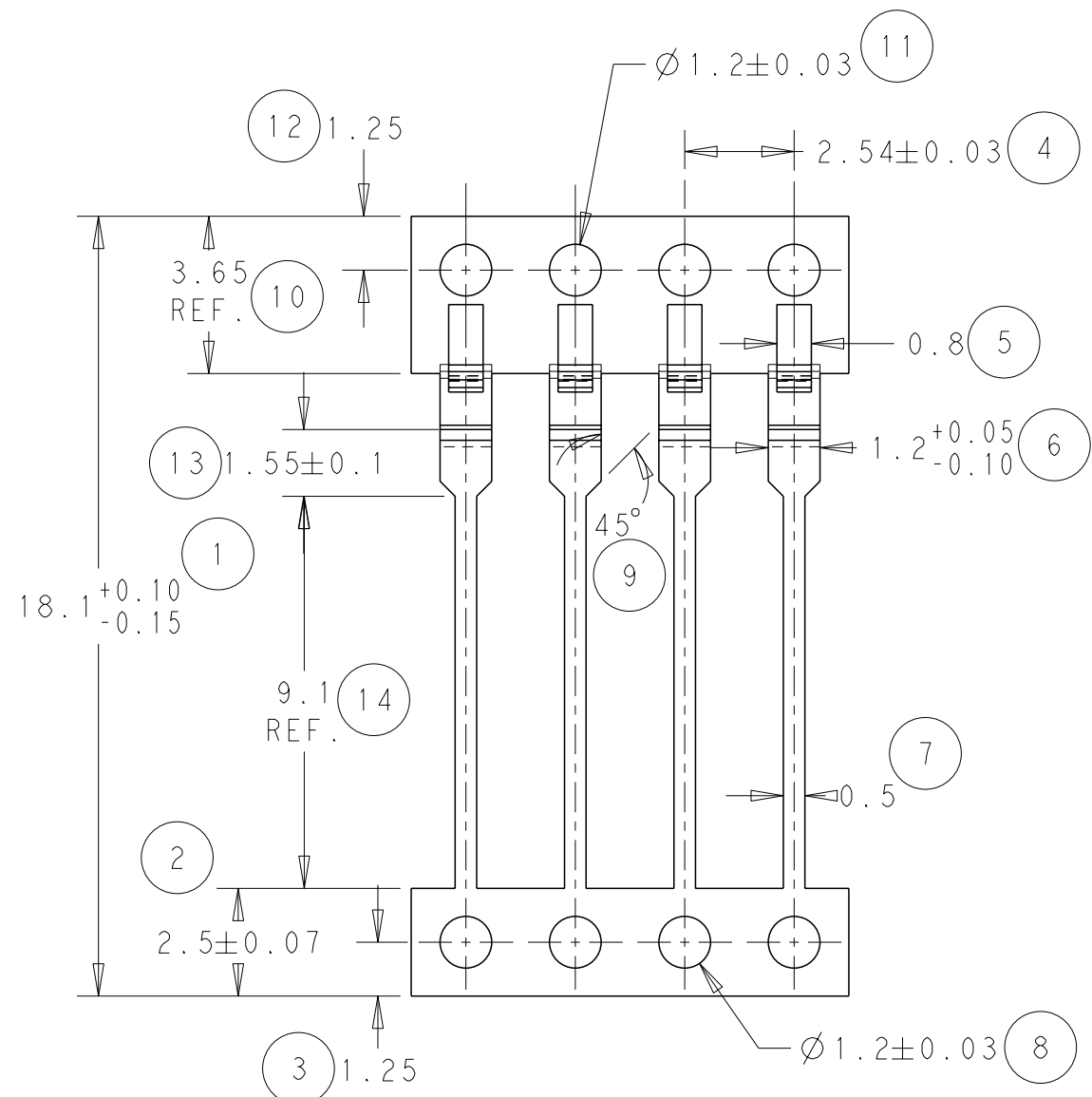
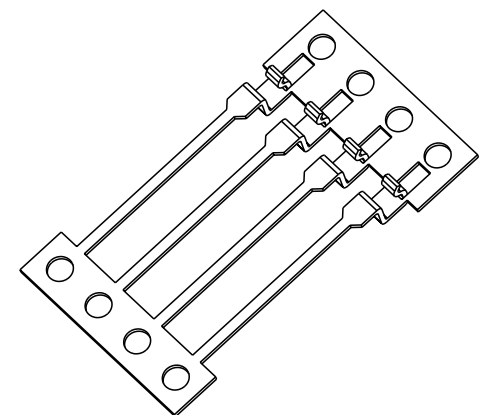


THIS DRAWING IS UNPUBLISHED. RELEASED FOR PUBLICATION 2011  
 © COPYRIGHT 2011 TE CONNECTIVITY ALL RIGHTS RESERVED.

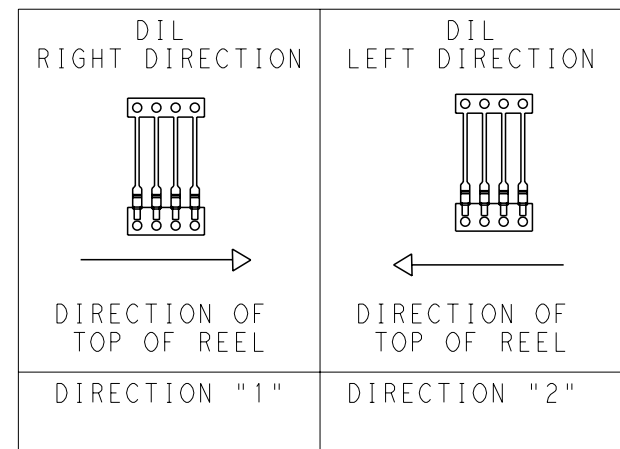
LOC	DIST	REVISIONS					
B	-	P	LTR	DESCRIPTION	DATE	DWN	APVD
			D	ECR-11-018847	13/09/11	JB	MG
			E	ECR-13-008169	29/05/13	MJG	DP



NOTE  
 BOWING: AFTER UPPER TIE BAR REMOVAL - 1.5mm MAX. FOR 500mm  
 PITCH: AFTER UPPER TIE BAR REMOVAL - 2.54 ± 0.127



SCALE 3:1



THIS DRAWING IS A CONTROLLED DOCUMENT.

DIMENSIONS:	TOLERANCES UNLESS OTHERWISE SPECIFIED:
mm	0 PLC ±-
	1 PLC ±-
	2 PLC ±0.05
	3 PLC ±-
	4 PLC ±-
	ANGLES ±0.5
MATERIAL	FINISH
SEE ABOVE.	-

DWN	J. BRIGHT	12/09/11
CHK	M. GREENER	12/09/11
APVD	D. PENNINGTON	12/09/11
PRODUCT SPEC	-	-
APPLICATION SPEC	-	-
WEIGHT	-	-
CUSTOMER DRAWING	SCALE NTS SHEET 1 OF 1 REV E	

2	Ni & Sn	1544443-4
2	Sn	1544443-3
1	Ni & Sn	1544443-2
1	Sn	1544443-1
REELING	FINISH	PART NUMBER

**TE** TE Connectivity

NAME: DIL CONTACT

SIZE: A3 CAGE CODE: 300779 DRAWING NO: C-1544443 RESTRICTED TO: -

# Mouser Electronics

Authorized Distributor

Click to View Pricing, Inventory, Delivery & Lifecycle Information:

[TE Connectivity:](#)

[1544443-2](#)