

**AMP****AMP\* Furniture Outlet (AFO) Kits****NOTE**

All numerical values are in metric units [with U.S. customary units in brackets]. Dimensions are in millimeters [and inches]. Unless otherwise specified, dimensions have a tolerance of  $\pm 0.13$  [.005] and angles have a tolerance of  $\pm 2^\circ$ .

**1. INTRODUCTION**

This specification covers the requirements for the application of AMP Furniture Outlet (AFO) Kits. The AFO kit includes a frame, cover, two labels, and a label cover. The AFO base kit includes a base, two mounting screws, and two pieces of double adhesive mounting tape.

The frame of the AFO kit holds a shielded or unshielded single-port AMP Communications Outlet and an optional modular jack (6 or 8 position, regular or DECT version). The 110Connect jack will not fit the AFO kit or the AFO base kit.

When corresponding with AMP personnel, use the terminology provided on this specification to help facilitate your inquiry for information. Basic terms and features of components are provide in Figure 1.

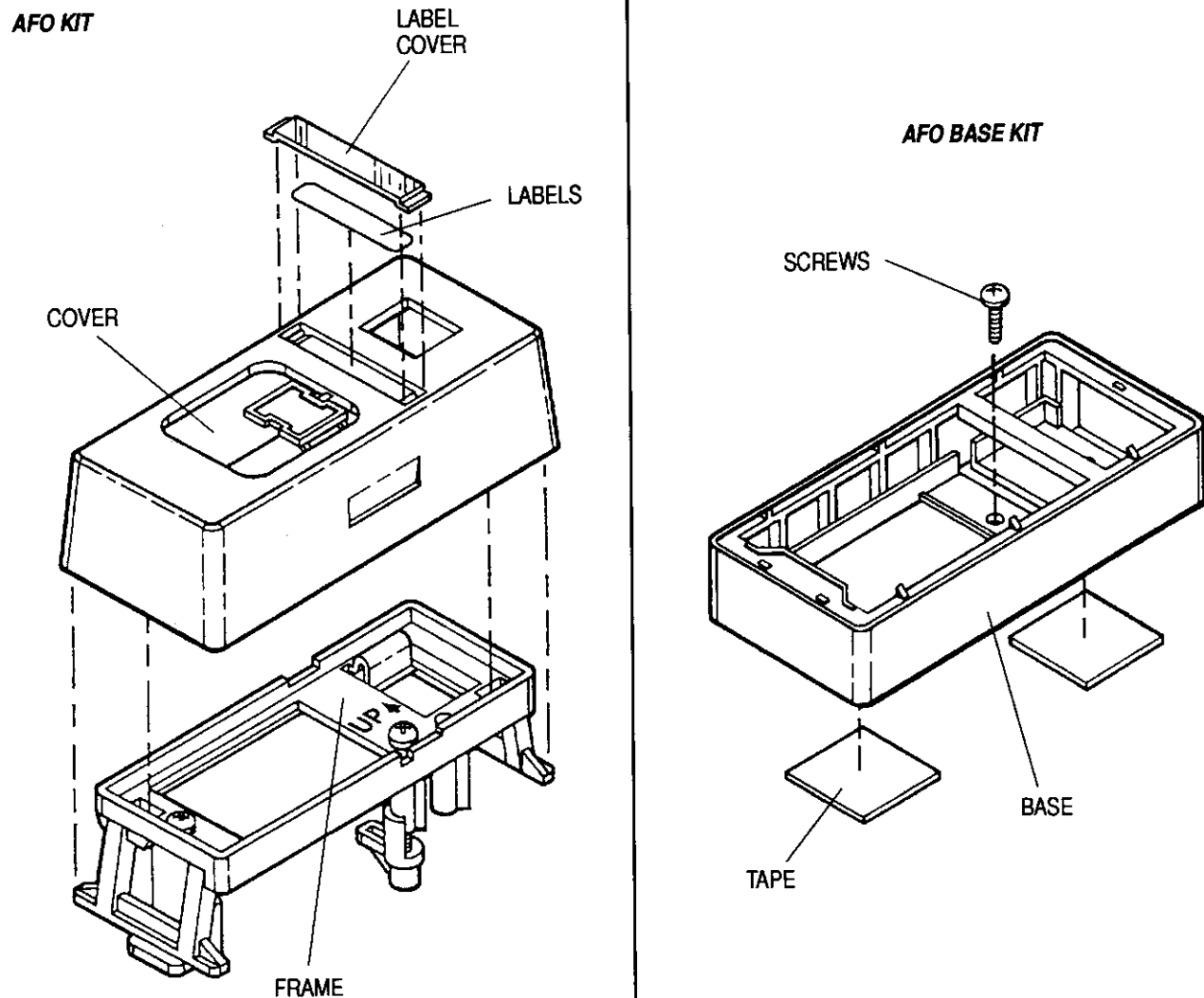


Figure 1

95-25

## 2. REFERENCE MATERIAL

### 2.1. Revision Summary

This paragraph is reserved for a revision summary of changes and additions made to this specification. No summary is required on this initial release, Revision O (Rev O).

### 2.2. Customer Assistance

Reference part number 557558 and product code 1293 are representative numbers that identify the AMP Furniture Outlet kits. Use of these numbers will identify the product line and expedite your inquiries through an AMP service network established to help obtain product and tooling information. Such information can be obtained through a local AMP representative (Field Sales Engineer, Field Applications Engineer, etc) or, after purchase, by calling the Technical Assistance Center or the AMP FAX/Product Information number at the bottom of page 1.

### 2.3. Drawings

Customer Drawings for specific products are available from the responsible AMP Engineering Department via the service network. The information contained in the Customer Drawings takes priority if there is a conflict with this specification or with any other technical documentation supplied by AMP Incorporated.

### 2.4. Instructional Material

Assembly procedures for surface or panel mounting of the AFO kits are on AMP Instruction Sheet 408-3283.

## 3. REQUIREMENTS

The frame of the AFO kit can mount to the base of the AFO base kit (surface mount) or directly to the panel (panel mount).

### 3.1. Surface Mount Installation

1. Remove appropriate knockout from base and pull cables through openings (see Figure 2).
2. Mount base to panel using screws or double-sided tape (included with kit).

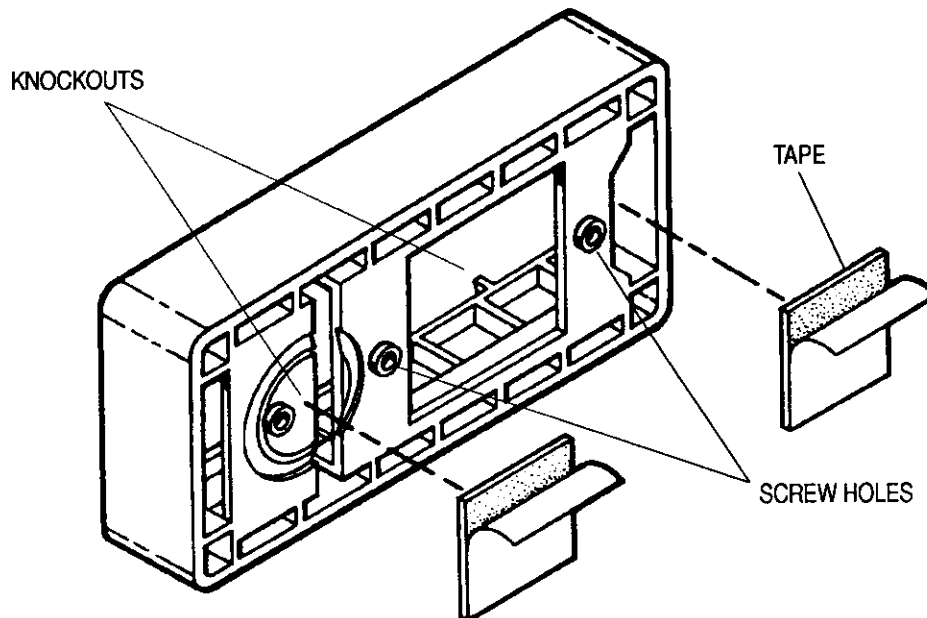


Figure 2

92-64

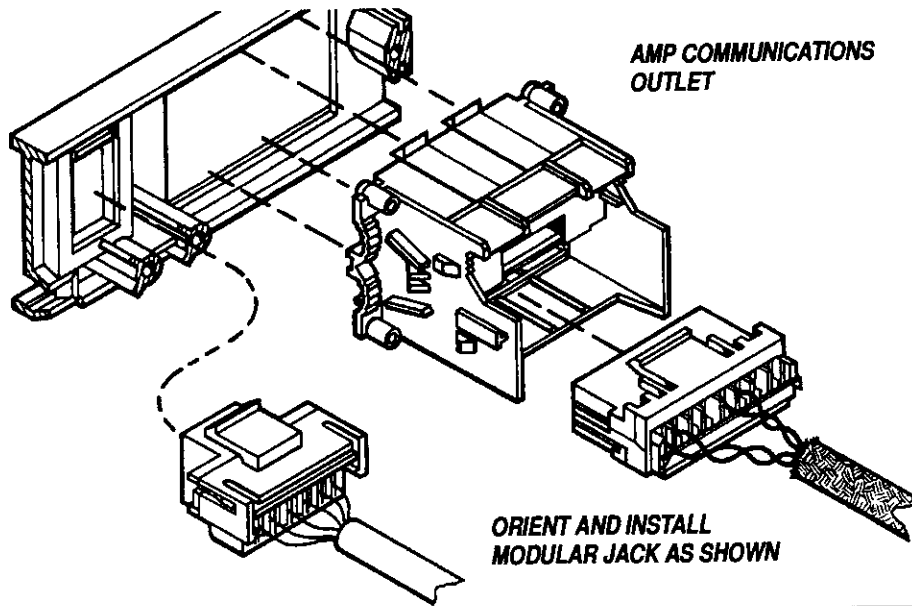


Figure 3

92-65

3. Install AMP Communications Outlet and modular jack into frame (see Figure 3).
4. Mount frame to base. Insert stationary leg into base, then seat frame on alignment blocks and tighten clamp screws. See Figure 4.
5. Install appropriate connector insert.
6. Remove dust cover from cover and install in modular jack opening in cover, if required. Snap cover in place.
7. Mark label as required and snap label cover into place.

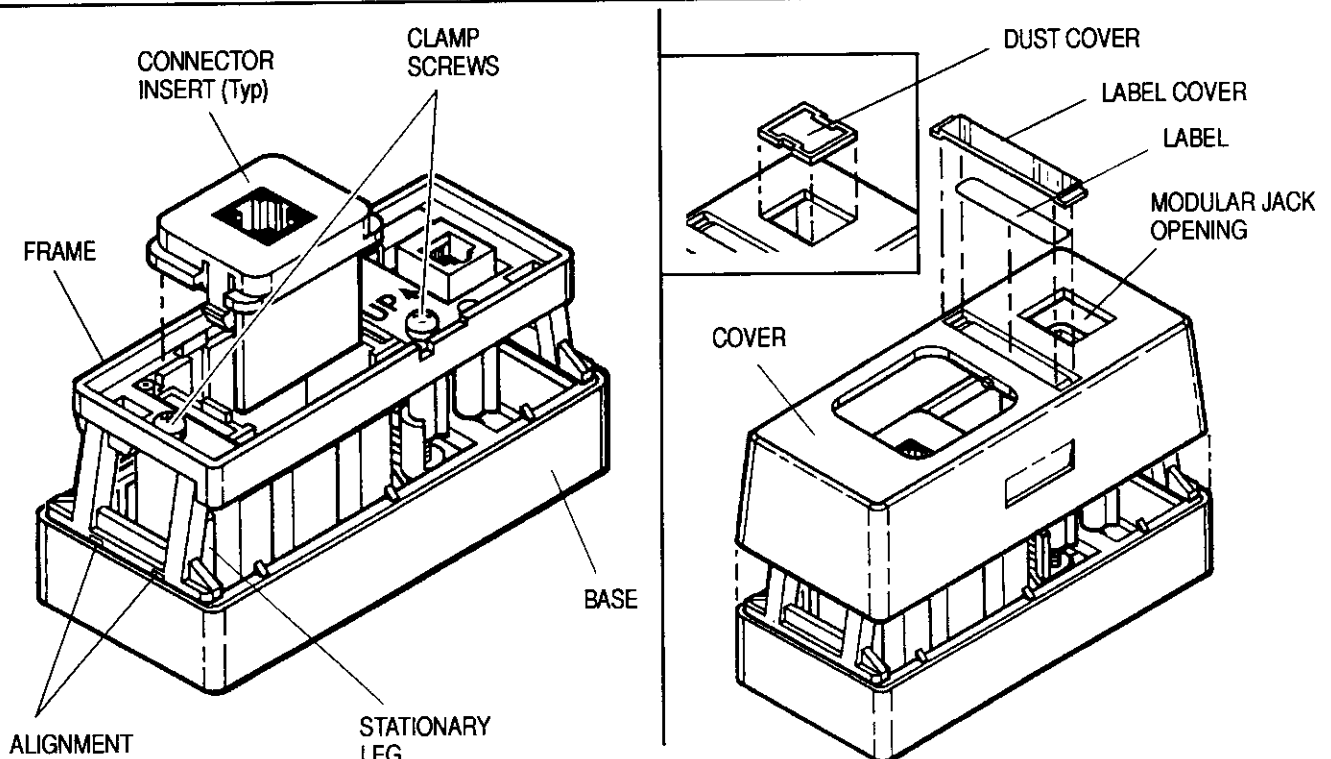


Figure 4

92-66, 92-67

### 3.2. Panel Mount Installation

1. Install AMP Communications Outlet and modular jack into frame (see Figure 3).
2. Mount frame to panel. Insert large stationary tab into panel cutout, then pivot frame onto panel. The small mounting tab should enter the panel cutout; when the screw is tightened, it should rotate and secure the frame to the panel. See Figure 5.

**NOTE**

*If small mounting tab does not secure frame to panel, remove screw and small mounting tab from inner leg and move to outer mounting leg and re-install.*

3. Install appropriate connector insert.
4. Remove keystone dust cover from cover and instal in modular jack opening in cover, if required. Snap cover in place.
5. Mark label as required and snap label cover into place.

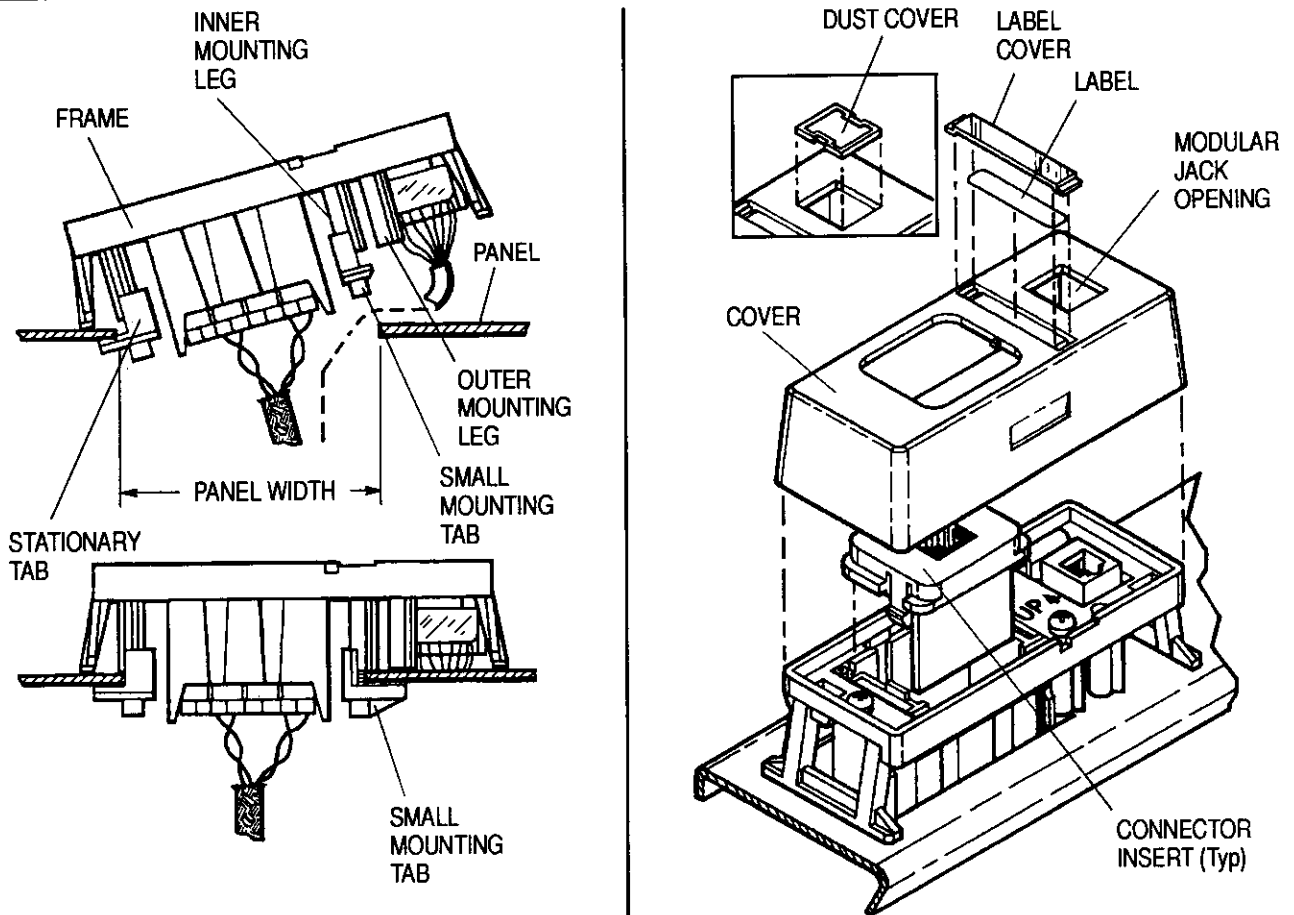


Figure 5

92-68, 92-69

## 4. QUALIFICATION SUPPORT

### 4.1. Underwriters' Laboratories, Inc. (UL)

AMP Furniture Outlet Kits are listed under UL File Number E81956.

### 4.2. Canadian Standards Association (CSA)

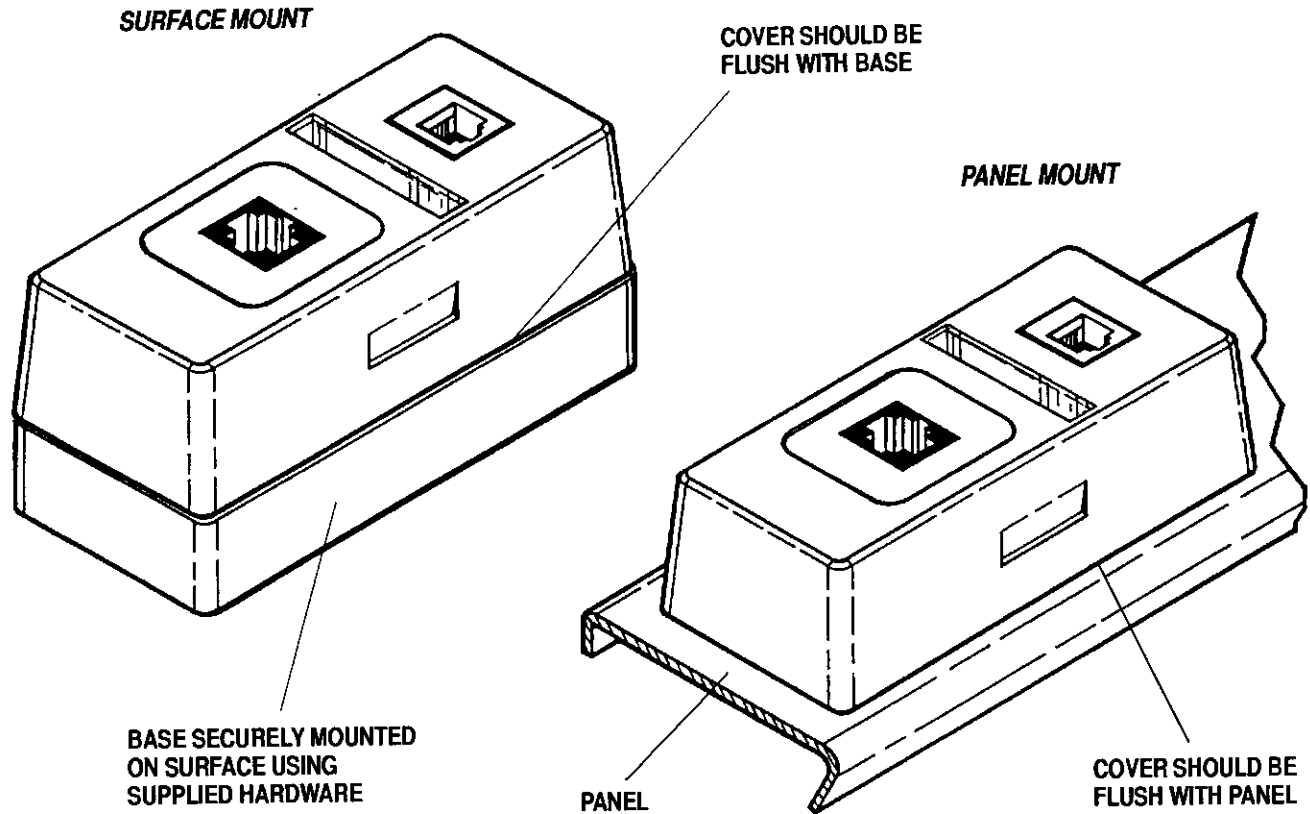
AMP Furniture Outlet Kits are certified under CSA File Number LR7189.

## 5. TOOLING

No tooling is required to apply this product.

**6. VISUAL AID**

The following illustrations are used by production personnel to ensure properly applied product. The views suggest requirements for good assemblies. Applications that appear visually incorrect should be inspected using the information on the preceding pages of this application.

**FIGURE 6. VISUAL AID**

95-26