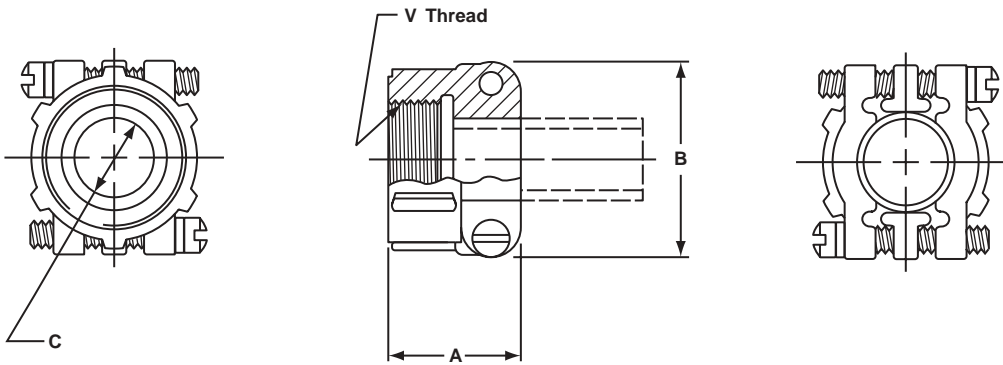


MS/Standard Accessories

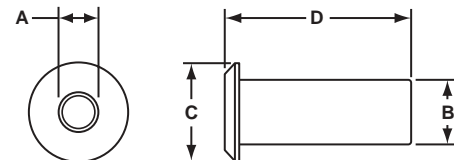
MS3057-A style cable clamp, MS3420 sleeve

The MS3057-A style cable clamp was designed for use with jacketed cable or wires protected by tubing. Both clamping halves float for maximum strain relief. For unjacketed cable or wires, use corresponding MS3420 sleeve. To order clamp with sleeve, add -1 to the 97 - number. Two telescoping sleeves are furnished with shells sizes 24 and larger.



Shell Size	Amphenol Number	A ±.031	B Max.	C Dia. Min.	V Thread
10SL, 12S	97-3057-1004	.795	.842	.3125	.6250-24
14, 14S	97-3057-1007	.850	.995	.4375	.7500-20
16, 16S	97-3057-1008	.920	1.120	.5625	.8750-20
18	97-3057-1010	.920	1.216	.6250	1.0000-20
20, 22	97-3057-1012	.927	1.403	.7500	1.1875-18
24, 28	97-3057-1016	1.015	1.683	.9375	1.4375-18
32	97-3057-1020	1.095	2.050	1.2500	1.7500-18
36	97-3057-1024	1.156	2.245	1.3750	2.0000-18

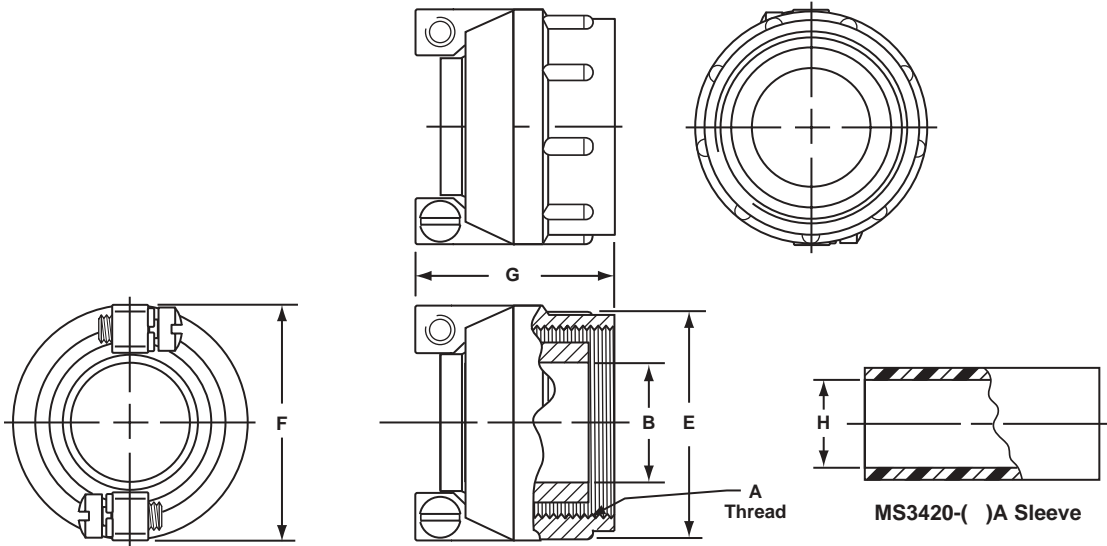
Sleeve MS Part No.	Amphenol Number	A ±.005	B ±.005	C ±.010	D ±.031
3420-3	9779-513-3	.130	.210	.374	2.875
3420-4	9779-513-4	.220	.302	.500	2.750
3420-6	9779-513-6	.312	.427	.614	2.625
3420-8	9779-513-8	.437	.552	.739	2.500
3420-10	9779-513-10	.562	.615	.889	2.375
3420-12	9779-513-12	.625	.740	1.084	2.250
3420-16	9779-513-16	.750	.927	1.309	2.125
3420-20	9779-513-20	.937	1.240	1.592	2.000
3420-24	9779-513-24	1.250	1.365	1.842	1.875



MS/Standard Accessories

10-305200 cable clamp, MS3420()A sleeve

Included in the design of the 10-305200 clamp are features such as a shorter overall length, greater reduction of close-down diameters by the use of accessory sleeves and waterproofing between the clamp and attaching shells. Finish is cadmium plating per QQ-P-146 type II, class 3 with olive drab chromate after-treatment. This is a suitable replacement clamp for M85049/1.

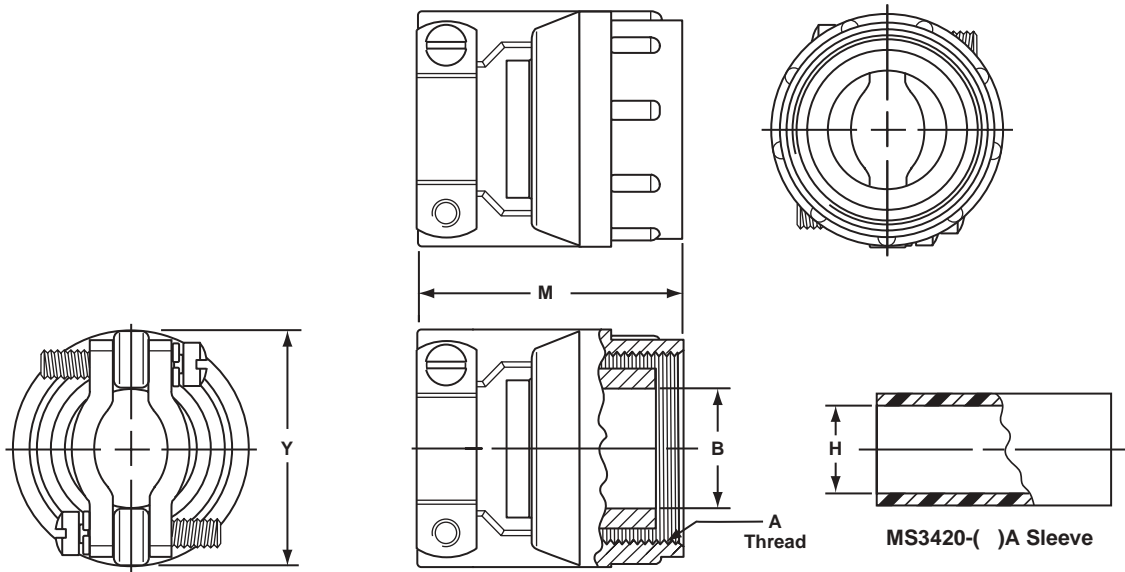


Shell Size	Clamp Part No.	A Thread Class 2B	B Dia.		E Dia. $\pm .016$	F $\pm .010$	G $+ .020$ $- .000$	Sleeve MS Part No.	H Dia.	
			Free	Closed					Free $\pm .016$	Closed
8S, 10S	10-305200-103	.5000-28UNEF	.219	.027	.719	.797	1.010	3420-3A	.125	.000
10SL, 12, 12S	10-305200-123	.6250-24NEF	.312	.094	.844	.891	1.010	3420-4A	.219	.010
14, 14S	10-305200-143	.7500-20UNEF	.438	.230	.969	1.016	1.010	3420-6A 3420-4A	.312 .219	.114 .020
16, 16S	10-305200-163	.8750-20UNEF	.531	.316	1.094	1.109	1.010	3420-8A 3420-6A	.438 .312	.222 .085
18	10-305200-183	1.0000-20UNEF	.625	.378	1.219	1.219	1.041	3420-10A 3420-6A	.438 .312	.200 .085
20, 22	10-305200-203	1.1875-18NEF	.750	.445	1.406	1.469	1.151	3420-12A 3420-8A	.541 .438	.270 .177
24, 28	10-305200-243	1.4375-18NEF	.938	.611	1.656	1.656	1.151	3420-16A 3420-12A 3420-8A	.750 .541 .438	.433 .260 .186
32	10-305200-323	1.7500-18NS	1.250	.922	2.000	2.125	1.291	3420-20A 3420-16A 3420-12A	.938 .750 .541	.620 .442 .273
36	10-305200-363	2.0000-18NS	1.375	.922	2.250	2.250	1.510	3420-24A 3420-18A 3420-16A	1.125 .938 .750	.682 .504 .358
40	10-305200-403	2.2500-16UN	1.625	1.180	2.500	2.500	1.510	3420-28A 3420-20A 3420-16A	1.250 .938 .750	.816 .514 .368

MS/Standard Accessories

10-350349 cable clamp, MS3420()A sleeve

Cable clamp 10-350349 features a reduced close-down diameter, a positive, physical moisture barrier, and cadmium olive drab plating with a chromate after-treatment. It has a slightly longer overall length than the 10-305200. This is a suitable replacement clamp for M85049/2.



Shell Size	Clamp Part No.	A Thread Class 2A (Plated)	B Dia.		M Max.	Y Max.	Sleeve MS Part No.	H Dia.	
			Free	Closed				Free ±.016	Closed
8S, 10S	10-350349-103	.5000-28UNEF	.219	.027	1.313	.812	3420-3A	.125	.000
10SL, 12, 12S	10-350349-123	.6250-24UNEF	.312	.094	1.313	.906	3420-4A	.219	.010
14, 14S	10-350349-143	.7500-20UNEF	.438	.230	1.313	1.031	3420-6A 3420-4A	.312 .219	.114 .020
16, 16S	10-350349-163	.8750-20UNEF	.531	.316	1.313	1.125	3420-8A 3420-6A	.438 .312	.222 .085
18	10-350349-183	1.0000-20UNEF	.625	.378	1.391	1.234	3420-10A 3420-6A	.438 .312	.200 .085
20, 22	10-350349-203	1.1875-18UNEF	.750	.445	1.406	1.484	3420-12A 3420-8A	.541 .438	.270 .177
24, 28	10-350349-243	1.4375-18UNEF	.938	.611	1.516	1.671	3420-16A 3420-12A 3420-8A	.750 .541 .438	.433 .260 .186
32	10-350349-323	1.7500-18UNS	1.250	.922	1.766	2.188	3420-20A 3420-16A 3420-12A	.938 .750 .541	.620 .442 .273
36	10-350349-363	2.0000-18UNS	1.375	.922	2.031	2.344	3420-24A 3420-18A 3420-16A	1.125 .938 .750	.682 .504 .358
40	10-350349-403	2.2500-16UN	1.625	1.180	2.031	2.594	3420-28A 3420-20A 3420-16A	1.250 .938 .750	.816 .514 .368
44	10-350349-443	2.5000-16UN	1.865	1.427	2.186	2.812	3420-32A 3420-28A 3420-20A	1.625 1.250 .938	1.229 .897 .638

Mouser Electronics

Authorized Distributor

Click to View Pricing, Inventory, Delivery & Lifecycle Information:

Amphenol:

[97-79-513-20](#) [10-305200-243](#) [10-350349-123](#) [10-350349-203](#) [MS3101E16S-5S](#) [10-350349-143](#) [MS3106E32-13S](#)
[10-350349-32Y](#) [10-350349-243](#) [10-350349-183](#) [10-305200-183](#) [10-350349-323](#) [MS3102A24-6P](#) [MS3106E22-27S](#)
[10-350349-163](#) [MS3106B22-22P](#) [MS3108E24-10P](#) [MS3102A24-19P](#) [MS3108E20-7S](#) [MS3106E24-22PW](#)
[MS3102R36-10SW](#) [MS3106B22-18P](#) [MS3102E20-23PY](#) [MS3102E20-23PX](#) [MS3101F18-1PY](#) [MS3101A14S-7SW](#)
[MS3102A18-8S-RES](#) [MS3106F36-4SX](#) [MS3102E24-10SW W/P CAP](#) [MS3102A16S-4S-RES](#) [MS3102E20-3SZ](#)
[MS3102E20-3SY](#) [MS3101F10SL-3P W/P CAP](#) [MS3106F36-3SX](#) [MS3102E20-3SX](#) [MS3102A32-17P-RES](#)
[MS3102E20-3SW](#) [MS3100E24-27S](#) [MS3106E12S-4S](#) [MS3106F22-34P](#) [MS3102A22-2P-RES](#) [MS3106F36-3S](#)
[MS3100E32-15P](#) [MS3101E32-5P](#) [75-474611-04S](#) [10-350349-24Y](#) [10-350349-241](#) [MS3108A22-28S](#) [MS3100F32-5P](#)
[MS3102A22-2SY](#) [MS3102A16S-6S](#) [MS3101E28-2S](#) [MS3101A22-2S](#) [MS3108A20-4P](#) [MS3101A22-9P](#)
[MS3106R24-27S](#) [MS3100F32-5S](#) [MS3101A18-22S](#) [MS3108A20-11P](#) [MS3100E28-18P](#) [MS3108E20-22P](#)
[MS3106E32-3S](#) [MS3108A22-5P](#) [MS3106F32-3S](#) [MS3108A14S-4S](#) [MS3108E20-11S](#) [MS3101E20-18P](#) [MS3108E32-](#)
[13P](#) [MS3108E20-24P](#) [10-305200-203](#) [MS3102E28-11PW](#) [10-350349-36Y](#) [10-350349-18Y](#) [10-350349-20G](#) [10-](#)
[350349-249](#) [10-305200-163](#) [10-350349-321](#) [MS3102E28-7PW](#) [MS3108A28-11SW](#) [MS3107A14S-6S](#) [MS3102A32-](#)
[6P-RES](#) [MS3101A10SL-3S-RES](#) [MS3100A18-8P-RES](#) [MS3100A18-8S-RES](#) [MS3100A10SL-3S-RES](#) [MS3102E18-](#)
[9S W/P CAP](#) [MS3101A10SL-4S-RES](#) [MS3101A10SL-4P-RES](#) [MS3108E8S-1S](#) [MS3102C20-2S](#) [MS3101F22-7P](#)
[MS3101A20-8S](#) [10-350349-443](#) [CB3101A18-3P](#) [10-183518-022](#) [SG3106E14S-A7S](#) [10-072614-02S](#) [10-419350-243](#)
[10-037268-017](#) [10-435986-20G](#)