

## General Specifications

Motor Structure: Shaded Pole Induction Motor  
 Motor Protection: Impedance Protection  
 Insulation Resistance:  
 100M Ω or over with a DC500V Megger  
 Dielectric Withstand Voltage: AC 1800V 3s  
 Allowable Ambient Temperature Range:  
 -10°C ~ +70°C (Operating)  
 -40°C ~ +70°C (Storage)  
 (non-condensing environment)

## Expected Life

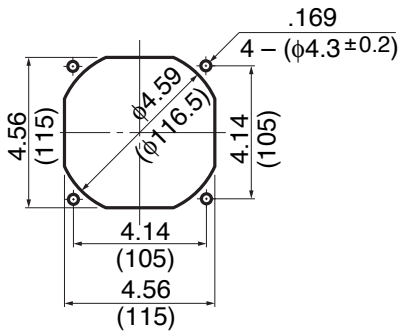
Failure Rate: 10%  
 25°C 100,000 Hours

## Material

Casing : Aluminum (Black Painting)  
 Impeller : Plastic (Black) UL94V-0  
 Bearing : Ball Bearing  
 Lead Wire : AWG22, UL3266  
 or Terminal : Faston #110 or equivalent

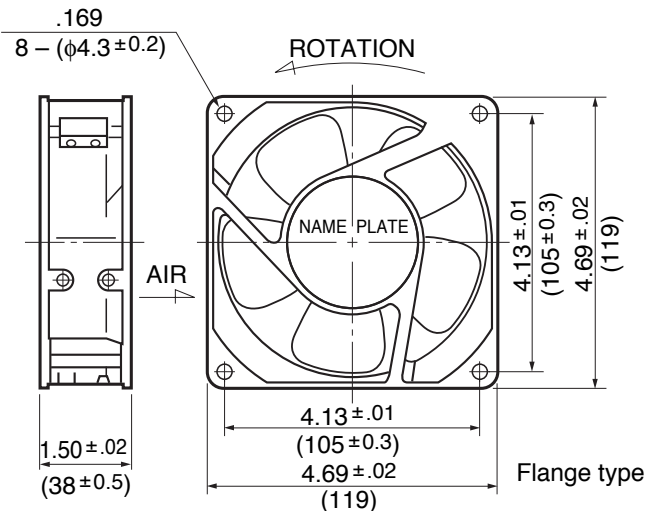
## Panel Cut-Outs

Units:  $\frac{\text{inch}}{\text{(mm)}}$

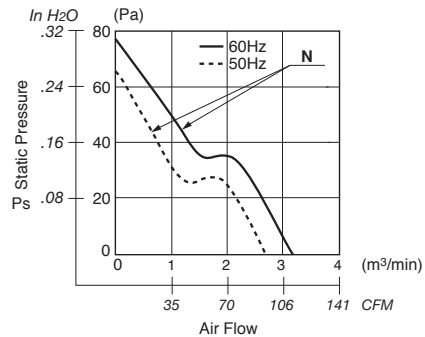
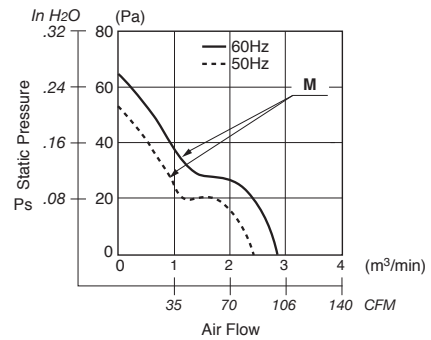
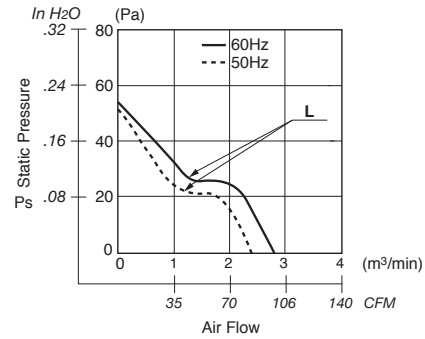
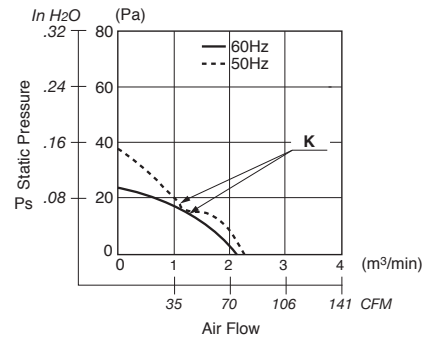
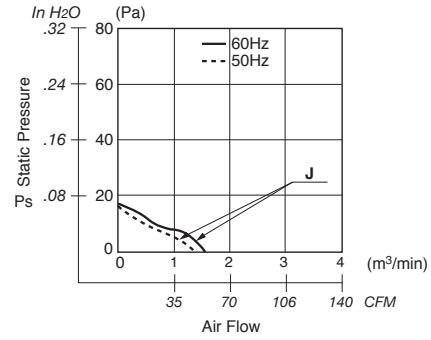


INLET SIDE / OUTLET SIDE

## Outline



## Characteristic Curves



## Specifications

MODEL	LEGACY P/N	Rated Voltage	Frequency	Starting Voltage	Current	Input Power	Speed	Max. Air Flow		Max. Static Pressure		Noise	Mass
		(V)	(Hz)	(V)	(A) <sup>1</sup>	(W)	(min <sup>-1</sup> ) <sup>2</sup>	CFM <sup>1</sup>	(m <sup>3</sup> /min) <sup>2</sup>	in H <sub>2</sub> O	(Pa) <sup>2</sup>	(dB) <sup>2</sup>	(g)
11938MB-A0J-EA-00	4715MS-10T-B10-B00	100	50	65	0.11	7.0	1350	45.9	1.30	.06	14.0	27.0	550
		100	60	65	0.10	6.5	1450	49.4	1.40	.06	15.0	28.0	550
11938MB-A0K-EA-00	4715MS-10T-B20-B00	100	50	65	0.13	8.0	2100	70.6	2.00	.14	35.3	32.0	550
		100	60	65	0.12	8.0	1900	67.1	1.90	.10	24.6	30.0	550
11938MB-A0L-EA-00	4715MS-10T-B30-B00	100	50	65	0.19	11.0	2400	81.2	2.30	.19	48.1	34.0	550
		100	60	65	0.17	10.0	2600	88.3	2.50	.18	46.1	37.0	550
11938MB-A0M-EA-00	4715MS-10T-B40-B00	100	50	65	0.25	15.0	2450	84.7	2.40	.21	52.0	35.0	550
		100	60	65	0.22	13.0	2750	95.3	2.70	.23	58.0	39.0	550
11938MB-A0N-EA-00	4715MS-10T-B50-B00	100	50	65	0.27	15.0	2600	88.3	2.50	.26	64.7	37.0	550
		100	60	65	0.23	14.0	2900	102.4	2.90	.31	76.4	41.0	550
11938MB-A1J-EA-00	4715MS-12T-B10-A00	115	50	75	0.09	6.0	1350	45.9	1.30	.06	15.6	27.0	550
		115	60	75	0.08	5.5	1450	49.4	1.40	.07	16.6	28.0	550
11938MB-A1K-EA-00	4715MS-12T-B20-A00	115	50	75	0.10	7.0	2100	76.6	2.00	.14	35.2	32.0	550
		115	60	75	0.10	7.0	1950	67.0	1.90	.10	24.5	30.0	550
11938MB-A1L-EA-00	4715MS-12T-B30-A00	115	50	75	0.16	11.0	2400	81.0	2.30	.20	49.9	34.0	550
		115	60	75	0.14	10.0	2600	88.2	2.50	.20	49.9	37.0	550
11938MB-A1M-EA-00	4715MS-12T-B40-A00	115	50	75	0.22	15.0	2450	85.0	2.40	.20	50.9	35.0	550
		115	60	75	0.19	13.0	2750	95.0	2.70	.26	64.6	39.0	550
11938MB-A1N-EA-00	4715MS-12T-B50-A00	115	50	65	0.25	15.5	2600	88.2	2.50	.26	64.6	37.0	550
		115	60	65	0.21	14.5	2900	102.0	2.90	.31	76.4	41.0	550
11938MB-B0J-EA-00	4715MS-20T-B10-B00	200	50	130	0.06	6.0	1350	45.9	1.30	.06	14.0	27.0	550
		200	60	130	0.05	5.5	1450	49.4	1.40	.06	15.0	28.0	550
11938MB-B0K-EA-00	4715MS-20T-B20-B00	200	50	130	0.06	7.0	2100	70.6	2.00	.13	32.3	32.0	550
		200	60	130	0.06	7.0	1900	67.1	1.90	.08	20.5	30.0	550
11938MB-B0L-EA-00	4715MS-20T-B30-B00	200	50	130	0.09	10.0	2400	81.2	2.30	.19	48.1	34.0	550
		200	60	130	0.08	10.0	2600	88.3	2.50	.18	46.1	37.0	550
11938MB-B0M-EA-00	4715MS-20T-B40-B00	200	50	130	0.13	15.0	2450	84.7	2.40	.21	52.0	35.0	550
		200	60	130	0.11	13.0	2750	95.3	2.70	.23	58.0	39.0	550
11938MB-B0N-EA-00	4715MS-20T-B50-B00	200	50	130	0.14	15.0	2600	88.3	2.50	.26	64.7	37.0	550
		200	60	130	0.12	13.0	2900	102.4	2.90	.31	76.5	41.0	550
11938MB-B2J-EA-00	4715MS-22T-B10-B00	220	50	145	0.05	6.0	1350	45.9	1.30	.06	14.0	27.0	550
		220	60	145	0.04	5.5	1450	49.4	1.40	.06	15.0	28.0	550
11938MB-B2K-EA-00	4715MS-22T-B20-B00	220	50	145	0.06	7.0	2100	70.6	2.00	.13	31.4	32.0	550
		220	60	145	0.06	7.0	1900	67.1	1.90	.08	19.6	30.0	550
11938MB-B2L-EA-00	4715MS-22T-B30-B00	220	50	145	0.09	11.0	2400	81.2	2.30	.19	48.1	34.0	550
		220	60	145	0.08	10.0	2600	88.3	2.50	.18	46.1	37.0	550
11938MB-B2M-EA-00	4715MS-22T-B40-B00	220	50	145	0.11	14.0	2450	84.7	2.40	.21	52.0	35.0	550
		220	60	145	0.10	12.0	2750	95.3	2.70	.23	58.0	39.0	550
11938MB-B2N-EA-00	4715MS-22T-B50-B00	220	50	145	0.12	14.0	2600	88.3	2.50	.26	63.8	37.0	550
		220	60	145	0.10	13.0	2900	102.4	2.90	.30	75.6	41.0	550

## Specifications

MODEL	LEGACY P/N	Rated Voltage	Frequency	Starting Voltage	Current	Input Power	Speed	Max. Air Flow		Max. Static Pressure		Noise	Mass
		(V)	(Hz)	(V)	(A) <sup>*1</sup>	(W)	(min <sup>-1</sup> ) <sup>*2</sup>	CFM <sup>*1</sup>	(m <sup>3</sup> /min) <sup>*2</sup>	in H <sub>2</sub> O	(Pa) <sup>*2</sup>	(dB) <sup>*2</sup>	(g)
11938MB-B3J-EA-00	4715MS-23T-B10-A00	230	50	175	0.05	6.5	1350	45.9	1.30	.06	14.7	27.0	550
		230	60	175	0.05	6.0	1450	49.4	1.40	.59	14.7	28.0	550
11938MB-B3K-EA-00	4715MS-23T-B20-A00	230	50	175	0.06	7.5	2100	70.6	2.00	.14	35.2	32.0	550
		230	60	175	0.06	7.5	1900	67.0	1.90	.09	21.5	30.0	550
11938MB-B3L-EA-00	4715MS-23T-B30-A00	230	50	175	0.10	12.0	2400	81.0	2.30	.20	49.0	34.0	550
		230	60	175	0.08	11.0	2600	88.2	2.50	.21	51.9	37.0	550
11938MB-B3M-EA-00	4715MS-23T-B40-A00	230	50	175	0.12	15.0	2450	85.0	2.40	.22	53.9	35.0	550
		230	60	175	0.10	13.0	2750	95.0	2.70	.26	63.7	39.0	550
11938MB-B3N-EA-00	4715MS-23T-B50-A00	230	50	175	0.12	15.0	2600	88.2	2.50	.26	63.7	37.0	550
		230	60	175	0.10	14.0	2900	102.0	2.90	.28	70.5	41.0	550
11938MB-B4J-EA-00	4715MS-24T-B10-A00	240	50	175	0.05	6.5	1350	45.9	1.30	.06	14.0	27.0	550
		240	60	175	0.05	6.0	1450	49.4	1.40	.06	15.0	28.0	550
11938MB-B4K-EA-00	4715MS-24T-B20-A00	240	50	175	0.06	8.0	2100	70.6	2.00	.15	38.2	32.0	550
		240	60	175	0.06	8.0	1900	67.1	1.90	.10	24.6	30.0	550
11938MB-B4L-EA-00	4715MS-24T-B30-A00	240	50	175	0.09	12.0	2400	81.2	2.30	.19	48.1	34.0	550
		240	60	175	0.08	11.0	2600	88.3	2.50	.18	46.1	37.0	550
11938MB-B4M-EA-00	4715MS-24T-B40-A00	240	50	140	0.10	13.0	2450	84.7	2.40	.21	52.0	35.0	550
		240	60	140	0.08	12.0	2750	95.3	2.70	.23	58.0	39.0	550
11938MB-B4N-EA-00	4715SM-24T-B50-A00	240	50	140	0.11	14.0	2600	88.3	2.50	.30	63.8	37.0	550
		240	60	140	0.10	13.0	2900	102.4	2.90	.30	65.7	41.0	550

Rotation: Counterclockwise  
 \*\* Contact NMB for Availability

Airflow Outlet: Air Out Over Struts

\*1: Maximum Values in Free Air  
 \*2: Average Values in Free Air  
 \*3: Minimum Values in Free Air

# Mouser Electronics

Authorized Distributor

Click to View Pricing, Inventory, Delivery & Lifecycle Information:

## NMB Technologies:

[4715MS-20T-B50-B00](#) [4715MS-22T-B40-B00](#) [4715MS-10T-B20-B00](#) [4715MS-20T-B20-B00](#) [4715MS-12T-B30-A00](#)  
[4715MS-12T-B10-A00](#) [11938MB-B3M-EA-00](#) [11938MB-A1J-AA-00](#) [11938MB-B3N-EP-00](#) [11938MB-B0N-EP-00](#)  
[11938MB-B3K-EA-00](#) [11938MB-B4J-EA-00](#) [11938MB-A0N-EP-00](#) [11938MB-A0K-AA-00](#) [11938MB-A0M-EA-00](#)  
[11938MB-B4K-AA-00](#) [11938MB-B4N-EP-00](#) [11938MB-B3M-EP-00](#) [11938MB-A1N-EP-00](#) [11938MB-B3N-AA-00](#)  
[11938MB-B3M-AP-00](#) [11938MB-B4N-AP-00](#) [11938MB-B3L-EA-00](#) [11938MB-A0L-EA-00](#) [11938MB-A1N-AA-00](#)  
[11938MB-A1J-EP-00](#) [11938MB-B4N-EA-00](#) [11938MB-A1J-AP-00](#) [11938MB-A1L-EP-00](#) [11938MB-B0M-EA-00](#)  
[11938MB-B3J-EA-00](#) [11938MB-B3N-AP-00](#) [11938MB-B2M-EA-00](#) [11938MB-B3K-AA-00](#) [11938MB-B2N-EA-00](#)  
[11938MB-B4K-EA-00](#) [11938MB-A0J-EA-00](#) [11938MB-B2J-EA-00](#) [11938MB-A1J-EA-00](#) [11938MB-A1M-AA-00](#)  
[11938MB-A1N-AP-00](#) [11938MB-B2K-EA-00](#) [11938MB-A0K-EA-00](#) [11938MB-B4L-EA-00](#) [11938MB-B0L-EA-00](#)  
[11938MB-A0N-EA-00](#) [11938MB-A1M-EP-00](#) [11938MB-B0J-EA-00](#) [11938MB-B2N-AA-00](#) [11938MB-B3K-EP-00](#)  
[11938MB-A1L-EA-00](#) [11938MB-B0K-EA-00](#) [11938MB-B2L-EA-00](#) [11938MB-B3L-EP-00](#) [11938MB-B0N-AA-00](#)  
[11938MB-B4M-EA-00](#) [11938MB-B3M-AA-00](#) [11938MB-B3J-EP-00](#) [11938MB-A1K-AA-00](#) [11938MB-B0N-EA-00](#)  
[11938MB-A1N-EA-00](#) [11938MB-B3L-AA-00](#) [11938MB-A1M-EA-00](#) [11938MB-B3N-EA-00](#) [11938MB-A0N-AA-00](#)  
[11938MB-A1L-AA-00](#) [11938MB-B2N-EP-00](#) [11938MB-B3J-AA-00](#) [4715MS-12T-B50-A00](#) [4715MS-12T-B40-A00](#)  
[4715MS-12T-B20-A00](#) [11938MB-A1K-EA-00](#) [4715MS-20T-B5A-B00](#) [4715MS-22W-B50-B00](#) [4715MS-10T-B5A-B00](#)  
[4715MS-22T-B5A-B00](#) [4715MS-10W-B50-B00](#) [4715MS-24T-B5A-A00](#) [4715MS-24W-B5A-A00](#) [4715MS-20W-B50-](#)  
[B00](#) [4715MS-10W-B20-B00](#) [4715MS-23T-B10-A00](#) [4715MS-23T-B5A-A00](#) [4715MS-24T-B20-A00](#) [4715MS-20T-B30-](#)  
[B00](#) [4715MS-24W-B20-A00](#) [4715MS-10T-B30-B00](#) [4715MS-12W-B10-A00](#) [4715MS-23W-B10-A00](#) [4715MS-22T-](#)  
[B50-B00](#) [4715MS-24T-B50-A00](#) [4715MS-24T-B40-A00](#) [4715MS-23T-B4A-A00](#) [4715MS-24T-B30-A00](#) [4715MS-10T-](#)  
[B50-B00](#) [4715MS-24T-B10-A00](#) [4715MS-10T-B40-B00](#) [4715MS-23T-B30-A00](#) [4715MS-22T-B20-B00](#) [4715MS-23T-](#)  
[B20-A00](#)