

SAI Passive SAI-6-MHD-5P M12

Weidmüller Interface GmbH & Co. KG
 Klingenbergstraße 16
 D-32758 Detmold
 Germany
 Fon: +49 5231 14-0
 Fax: +49 5231 14-292083
 www.weidmueller.com



Cable gland: M25 for cables with an outer insulation diameter from 13 mm to 18 mm. The SAI distributor with M25 cable gland is suitable among others for the following cable types:

- 21 x 0.50 mm
- 18 x 0.75 mm bis 21 x 0.75 mm
- 14 x 100 mm bis 20 x 100 mm
- 8 x 1.50 mm bis 16 x 1.50 mm

General ordering data

Type	SAI-6-MHD-5P M12
Order No.	1701243000
Version	SAI Passive, Sensor-actuator passive distributor, M12, Hood version with M25 outlet, Yes
GTIN (EAN)	4032248184514
Qty.	1 pc(s).

SAI Passive
SAI-6-MHD-5P M12

Weidmüller Interface GmbH & Co. KG
 Klingenbergstraße 16
 D-32758 Detmold
 Germany
 Fon: +49 5231 14-0
 Fax: +49 5231 14-292083
 www.weidmueller.com

Technical data**Dimensions and weights**

Length	127 mm	Length (inches)	5 inch
Width	60 mm	Width (inches)	2.362 inch
Height	55 mm	Height (inches)	2.165 inch
Net weight	533 g		

Temperatures

Operating temperature range, max.	90 °C	Operating temperature range, min.	-20 °C
Operating temperature, max.	90 °C	Operating temperature, min.	-20 °C
Operating temperature	-20 - 90°C		

General data

Connection type PE	Screw connection	Number of contact sockets	6
Fire behaviour	V-0	connection thread	M12
No. of poles	5	Storage space	gross
Plugging cycles	≤ 50	Pollution severity	3
Cable gland	M 25	Distributor outlet	Hood version with M25 outlet
Insulation resistance	10 ⁹ Ω	Rated voltage , max.	30 V
Rated voltage , min.	10 V	Electrical isolation available	Yes
Test voltage	1 kV	Current per signal	2 A
Total current	10 A	Max. current-carrying capacity per slot	4 A
Housing main material	Pocan (base module), Zinc diecast (hood)	Housing colour	Silver
Screw socket	CuZn, nickel-plated	Hood sealing material	Foamed PUR
Contact material	CuZn	Contact surface	Gold-plated
Contact carrier material	PBT (UL 94 V0)	Clamping range, max.	1.5 mm ²
Clamping range, min.	0.08 mm ²	Conductor O.D.	14 - 18mm
Conductor O.D., max.	18 mm	Conductor O.D., min.	14 mm
LED initiator	Yes	LED	Yes
LED colour for indicating operation	green	LED colour for I/O function	yellow

Classifications

ETIM 3.0	EC001856	ETIM 4.0	EC002585
ETIM 5.0	EC002585	ETIM 6.0	EC002585
UNSPSC	30-21-18-01	eClass 6.2	27-06-91-90
eClass 7.1	27-06-91-90	eClass 8.1	27-06-91-90
eClass 9.0	27-06-91-90	eClass 9.1	27-44-01-08

Approvals

Approvals



ROHS

Conform

Downloads

Brochure/Catalogue	CAT 8 SAI 15/16 EN FL FIELDWIRING EN
Engineering Data	WSCAD

Creation date April 8, 2018 11:11:57 AM CEST

Catalogue status 03.04.2018 / We reserve the right to make technical changes.

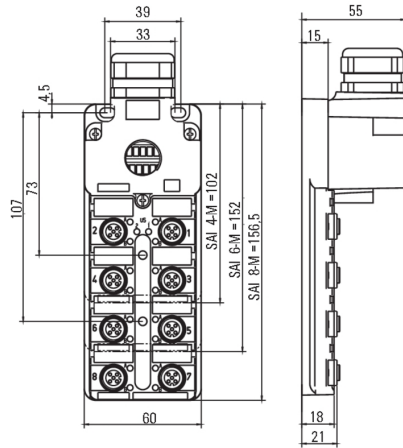
Data sheet

**SAI Passive
SAI-6-MHD-5P M12**

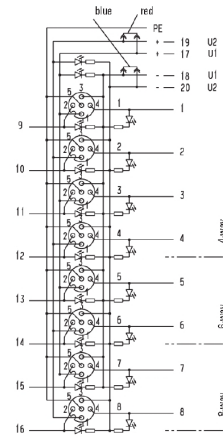
Weidmüller Interface GmbH & Co. KG
 Klingenbergstraße 16
 D-32758 Detmold
 Germany
 Fon: +49 5231 14-0
 Fax: +49 5231 14-292083
 www.weidmueller.com

Drawings

Dimensioned drawing



Wiring diagram



**SAI Passive
SAI-6-MHD-5P M12**

Weidmüller Interface GmbH & Co. KG
Klingenbergstraße 16
D-32758 Detmold
Germany
Fon: +49 5231 14-0
Fax: +49 5231 14-292083
www.weidmueller.com

Accessories

Screwty® cable gland tool with torque function



The ideal tool for any application

Screwty® is the ideal, all-purpose tool for tightening all common sensor and actuator cables. Even difficult-to-reach round plugs are accessible using the Screwty®. A simple turning movement tightens and loosens the connectors without the need for excessive force. The Screwty® is a unique and global solution since it fits with most cables and plugs from other vendors (over 90 %). The Screwty® consists of a handle with a conventional 1/4" adapter. Thus it can be used for all sizes: for M12 and M8 round plug-in connectors, and for M12F and M8F customisable plugs and sockets, as well as for all M23 plugs and sockets.

General ordering data

Type	Order No.	Version	GTIN (EAN)	Qty.
Screwty Set - DM	1920000000	Tools, Bolting tool	4032248436859	1 pc(s).

M12



Protective caps protect unassigned plug-in stations against external influences.

General ordering data

Type	Order No.	Version	GTIN (EAN)	Qty.
SAI-SK-M12	9456050000	Protected component assemblies, Protective cap	4008190304058	30 pc(s).

**SAI Passive
SAI-6-MHD-5P M12**

Weidmüller Interface GmbH & Co. KG
 Klingenbergstraße 16
 D-32758 Detmold
 Germany
 Fon: +49 5231 14-0
 Fax: +49 5231 14-292083
 www.weidmueller.com

Accessories

Blank



ESG is the tried-and-tested marker in MultiCard format for use on many well-known electrical devices. The result is high-quality device marking with a high-contrast appearance.

Various types are available for devices from the following manufacturers:

- Siemens
- Télémecanique
- ABB
- Beckhoff
- Lumberg
- Tags for all-purpose usage; self-adhesive or clip-on tags, depending on the type

Advantages at a glance:

- Tags for universal usage, self-adhesive or clip-on tags, depending on type
- For aligned equipment, e.g. circuit breakers, we supply ESG markers for clipping onto tag rails
- Individual laser-quality printing according to specifications

Please note that these markers are not intended for printing with the SpeedMarking laser.

General ordering data

Type	Order No.	Version	GTIN (EAN)	Qty.
ESG 9/20 MC	1609940000	ESG, Device markers x 9	4008190203528	200 pc(s).
NE WS		mm, PA 66, Colour: White, pluggable		