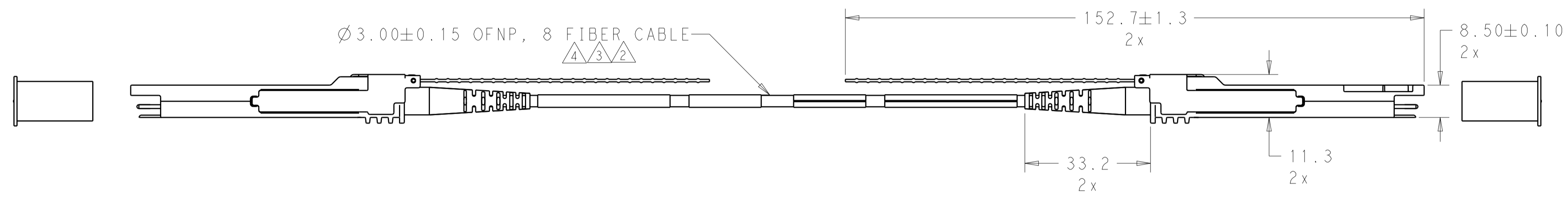
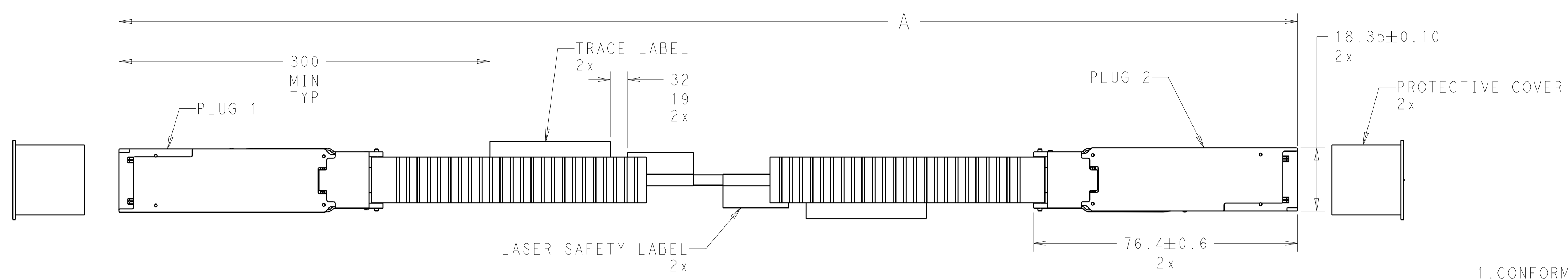
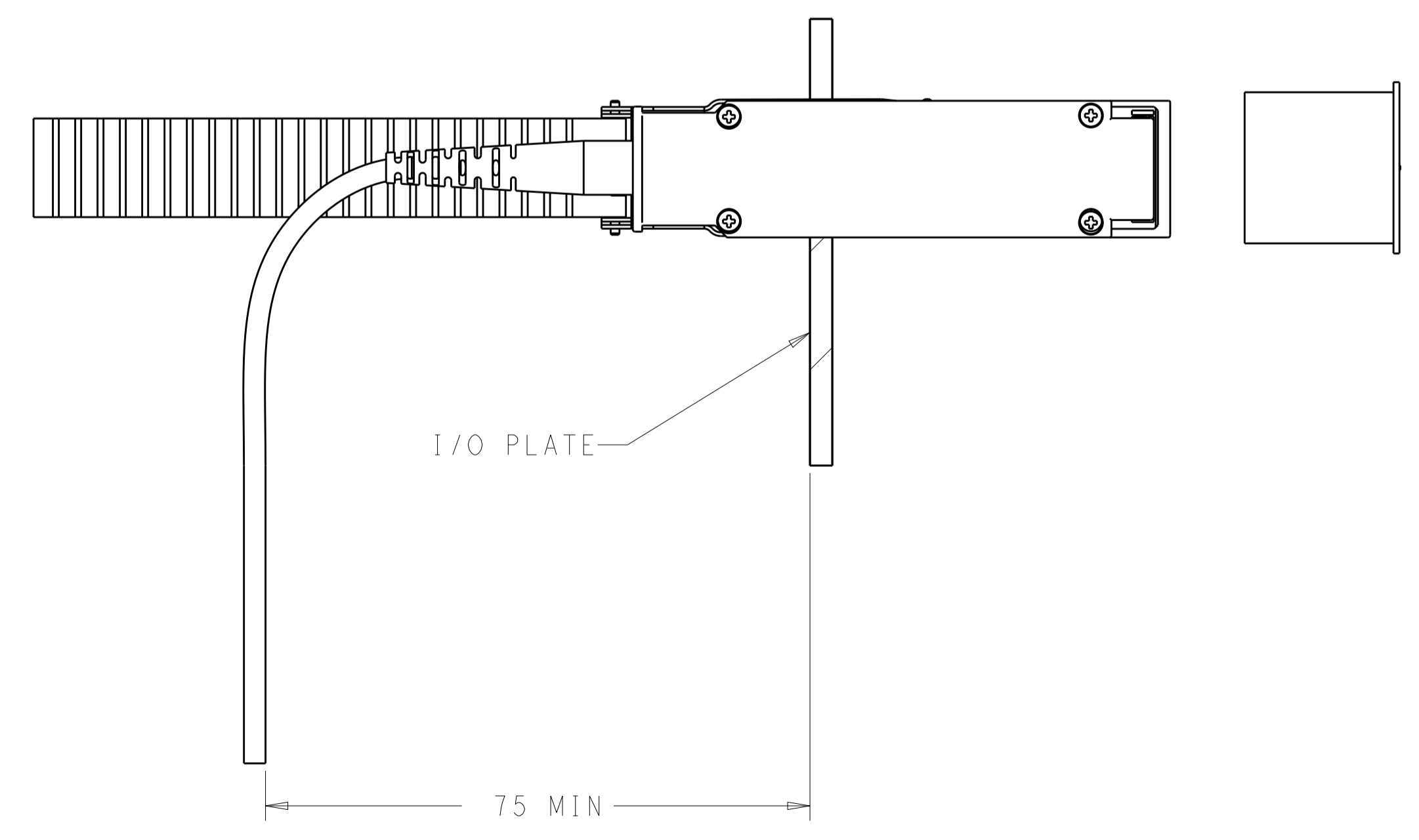
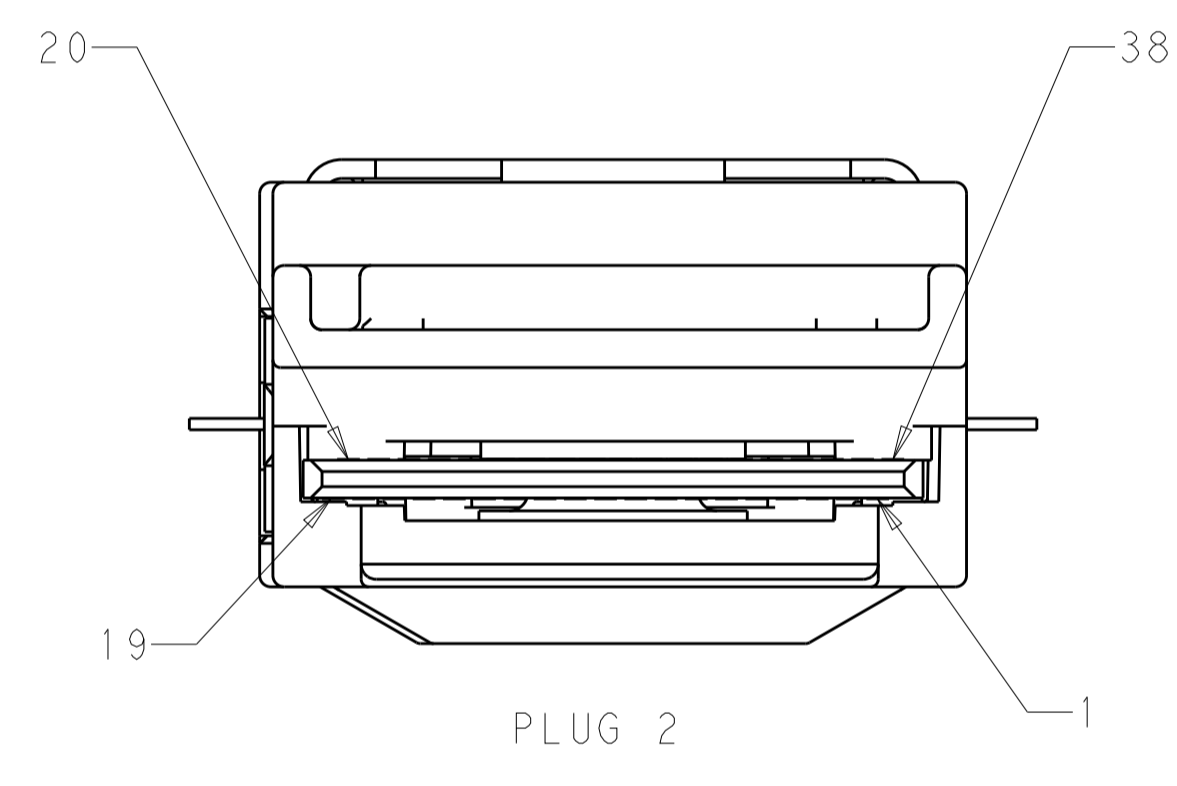
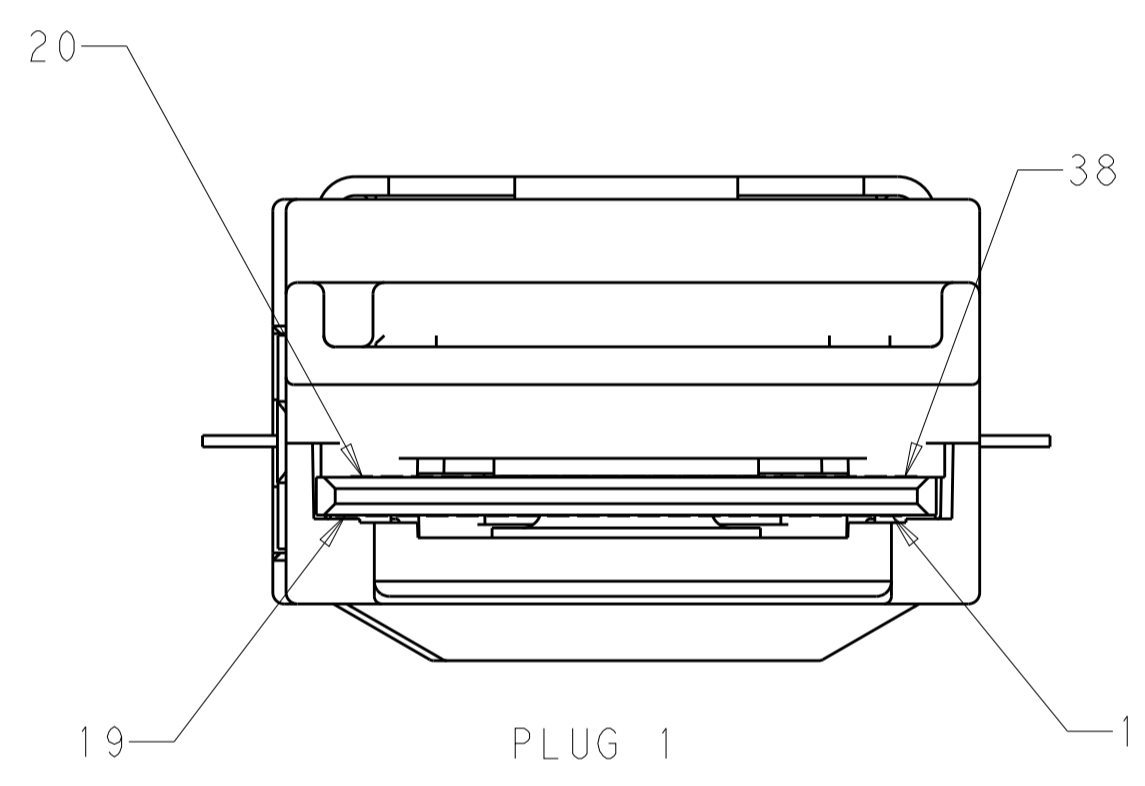


| REVISIONS | | | | |
|-----------|-----|---------------|-----------|----------|
| P | LTN | DESCRIPTION | DATE | OWN APVD |
| H | | ECR-14-012918 | 04SEP2014 | SW RZ |



1. CONFORMS TO 8-1773461-8 PRODUCT PERFORMANCE REQUIREMENTS. VERIFIED IN ACCORDANCE WITH 501-122042.
2. CAUTION! CUTTING CABLE MAY RESULT IN HAZARDOUS RADIATION EXPOSURE.
3. CONFORMS TO GR-409-CORE INTERCONNECT CABLE REQUIREMENTS.
4. STANDARD OM2 CABLE TO BE USED FOR LENGTHS UP TO 30 METERS, OM3 CABLE FOR LENGTHS >= 31 METERS.
5. SEE TRACE LABEL DETAIL.
6. CHASSIS GROUND IS ISOLATED FROM SIGNAL GROUND (GND) IN THE CABLE AND CONNECTOR.
7. THESE SIGNALS ARE NOT CARRIED THROUGH TO THE OTHER END, SINCE EACH END OF THE CABLE IS POWERED SEPARATELY.
8. THE QSFP MODULES IMPLEMENT THE 12C INTERFACE DESCRIBED IN SFF-8636 REV 1.5.
9. EEPROM PROGRAMMED PER 2123603_EEPROM_CD REV H.
10. CONTAINS FIRMWARE REVISION 6.15.



| | |
|------------------------|-------------|
| 32±0.32 | 2-2123603-6 |
| 28±0.28 | 2-2123603-5 |
| 21±0.21 | 2-2123603-4 |
| 19±0.19 | 2-2123603-3 |
| 18±0.18 | 2-2123603-2 |
| 17±0.17 | 2-2123603-1 |
| 16±0.15 | 2-2123603-0 |
| 14±0.15 | 1-2123603-9 |
| 13±0.15 | 1-2123603-8 |
| 12±0.15 | 1-2123603-7 |
| 11±0.15 | 1-2123603-6 |
| 9±0.15 | 1-2123603-5 |
| 8±0.15 | 1-2123603-4 |
| 7±0.15 | 1-2123603-3 |
| OBSELETE 1±0.15 | 1-2123603-2 |
| 100±1.00 | 1-2123603-1 |
| 50±0.50 | 1-2123603-0 |
| 40±0.40 | 2123603-9 |
| 30±0.30 | 2123603-8 |
| 25±0.25 | 2123603-7 |
| 20±0.20 | 2123603-6 |
| 15±0.15 | 2123603-5 |
| 10±0.15 | 2123603-4 |
| 5±0.15 | 2123603-3 |
| 3±0.15 | 2123603-2 |
| OBSELETE 2±0.15 | 2123603-1 |
| A / m 4 | PART NUMBER |

THIS DRAWING IS A CONTROLLED DOCUMENT.

| | | | | | |
|-------------|--|-------------------------|-----------------------|--------------------------|------------------|
| DIMENSIONS: | TOLERANCES UNLESS OTHERWISE SPECIFIED: | OWN B. BRIGGS 05-Sep-14 | CHK B. FAIR 05-Sep-14 | APVD M. TRYSON 05-Sep-14 | NAME |
| mm | 0 PLC ± | | | | PRODUCT SPEC |
| | 1 PLC ±0.5 | | | | APPLICATION SPEC |
| | 2 PLC ±0.13 | | | | SIZE |
| | 3 PLC ±0.013 | | | | CAGE CODE |
| | 4 PLC ±0.001 | | | | DRAWING NO |
| | ANGLES ±0.0001 | | | | RESTRICTED TO |
| MATERIAL | FINISH | WEIGHT | A100779C=2123603 | | SCALE |
| | | | Customer Drawing | | 5:4 |

TE Connectivity
 PARALIGHT CABLE ASSEMBLY, 4x14, QSFP, ETHERNET
 SHEET 1 OF 2 REV H

| REVISIONS | | | | |
|-----------|-----|-------------|------|------|
| P. | LTN | DESCRIPTION | DATE | APVD |
| - | - | SEE SHEET 1 | - | - |
| | | | | |
| | | | | |

| QSFP | |
|---------|---------|
| PIN NO. | SIGNAL |
| 1 | GND |
| 2 | Tx2n |
| 3 | Tx2p |
| 4 | GND |
| 5 | Tx4n |
| 6 | Tx4p |
| 7 | GND |
| 8 | ModSelL |
| 9 | ResetL |
| 10 | Vcc Rx |
| 11 | SCL |
| 12 | SDA |
| 13 | GND |
| 14 | Rx3p |
| 15 | Rx3n |
| 16 | GND |
| 17 | Rx1p |
| 18 | Rx1n |
| 19 | GND |
| 20 | GND |
| 21 | Rx2n |
| 22 | Rx2p |
| 23 | GND |
| 24 | Rx4n |
| 25 | Rx4p |
| 26 | GND |
| 27 | ModPrsL |
| 28 | IntL |
| 29 | Vcc Tx |
| 30 | Vcc1 |
| 31 | LPMode |
| 32 | GND |
| 33 | Tx3p |
| 34 | Tx3n |
| 35 | GND |
| 36 | Tx1p |
| 37 | Tx1n |
| 38 | GND |

TE P/N
 TE-AC02- = PREFIX (LASER SAFETY ID)
 X-2123603-X = TE 171 PART NUMBER

BAR CODE

S/N: BBBMMYYDDNNNNN

TE-AC02-X-2123603-X
 ASSEMBLED IN US OF
 US AND OTHER
 COMPONENTS

STE REV.H
 RHS

SERIAL NUMBER BBBMMYYDDNNNNN
 BBB = BUILDING NUMBER
 MM = MANUFACTURING LOCATION
 YY = TWO DIGIT YEAR
 DDD = ORDINAL DATE
 NNNNN = FIVE DIGIT SERIAL NUMBER

COUNTRY OF ORIGIN
 WHEN MANUFACTURED
 OUTSIDE THE US LABEL
 MUST READ "MADE IN XXXXX",
 WHERE XXXXX REPRESENTS
 THE COUNTRY OF MANUFACTURING.
 TE LOGO & CUSTOMER PRINT REV

TRACE LABEL INFORMATION
 NOTE: LASER SAFETY CERTIFICATION IS
 BASED ON THE PREFIX AND THAT TE IS THE
 ONLY MANUFACTURER VISABLE ON THE LABEL

| FIBER COLOR CODE CHART | |
|------------------------|--------|
| FIBER # | COLOR |
| 1 | BLUE |
| 2 | ORANGE |
| 3 | GREEN |
| 4 | BROWN |
| 5 | FILLER |
| 6 | FILLER |
| 7 | FILLER |
| 8 | FILLER |
| 9 | GRAY |
| 10 | WHITE |
| 11 | RED |
| 12 | BLACK |

| | | | |
|--|---|--|---|
| THIS DRAWING IS A CONTROLLED DOCUMENT. | | DWN B. BRIGGS 05-Sep-14 CHK B. FAIR 05-Sep-14 APVD M. TRYSON 05-Sep-14 | TE Connectivity |
| DIMENSIONS: mm | TOLERANCES UNLESS OTHERWISE SPECIFIED: 0 PLC ± 1 PLC ±0.5 2 PLC ±0.13 3 PLC ±0.013 4 PLC ±0.001 ANGLES ± | NAME PARALIGHT CABLE ASSEMBLY, 4x14, QSFP, ETHERNET | SIZE CAGE CODE DRAWING NO A100779C=2123603 |
| MATERIAL | FINISH | WEIGHT Customer Drawing | RESTRICTED TO SCALE 5:4 SHEET 2 OF 2 REV H |