

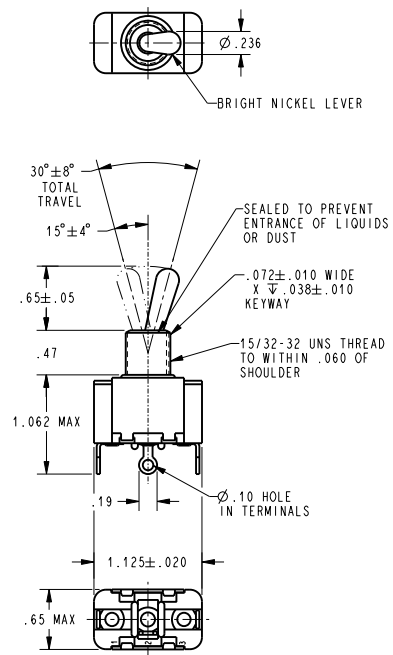
PTC/CAD 20
 DRAWN
 TRF 07AUG03
 CHECK SAV
 07AUG03
 CHECK
 REVISIONS
 A 0001066
 07AUG03
 ISSUE 13
 M
 CATALOG LISTING
 11TS115 SERIES CHART 1
 PAGE 1 OF 1
 RELEASE NO. CO-28429 (PR) REPLACES -

MICRO SWITCH
 a Honeywell Division
 FED. MFG. CODE 91929

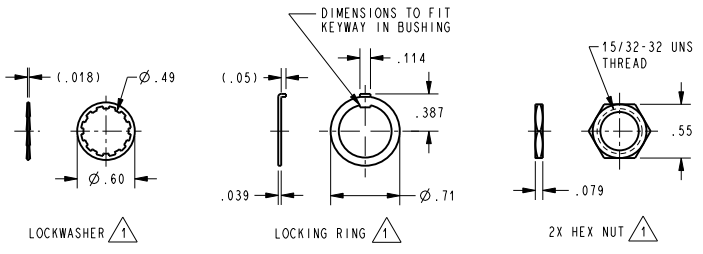
SWITCH - TOGGLE

CATALOG LISTING
11TS115 SERIES CHART 1

THIS DRAWING COVERS A PROPRIETARY ITEM AND IS THE PROPERTY OF MICRO SWITCH, A DIVISION OF HONEYWELL. THIS DRAWING IS NOT TO BE COPIED OR USED WITHOUT THE APPROVAL OF MICRO SWITCH



CATALOG LISTING	CIRCUIT WITH TOGGLE IN			ELECTRICAL DATA
	EXTREME POSITION KEYWAY 1-2 SIDE	CENTER	EXTREME POSITION OPPOSITE 2-3 SIDE	
11TS115-1	ON	OFF	ON	L311 10A 277 VAC, 20A 125 VAC 3/4HP 125, 250 VAC
11TS115-2	OFF	NONE	ON	
11TS115-3	ON	NONE	ON	
11TS115-5	MOM ON	OFF	ON	
11TS115-6	MOM ON	NONE	OFF	
11TS115-7	MOM ON	OFF	MOM ON	
11TS115-8	MOM ON	NONE	ON	



NOTES
 1 - FURNISHED UNASSEMBLED
 2 - VISUAL DIFFERENCES IN TERMINAL SHAPES AND PLATING POSSIBLE

THIRD ANGLE PROJECTION	
SCALE	FULL
DO NOT SCALE PRINT	
UNLESS OTHERWISE SPECIFIED TOLERANCES ARE	
ONE PLACE	(.01) ±.030
TWO PLACE	(.00) ±.015
THREE PLACE	(.000) ±.005
ANGLES	±
WEIGHT	

ANSI Y14.5M-1982 APPLIES