

## Patch cable - VS-RJ45-RJ45-94P-1,0 - 1418057

Please be informed that the data shown in this PDF Document is generated from our Online Catalog. Please find the complete data in the user's documentation. Our General Terms of Use for Downloads are valid (<http://download.phoenixcontact.com>)



Patch cable, CAT5e, 4-pair, shielded, line, assembled at both ends with straight RJ45/IP20 heads, length: 1 m



**Ethernet**

### Key commercial data

Packing unit	0
Minimum order quantity	1
Catalog page	Page 318 (PC-2011)
GTIN	 4 046356 534314
Custom tariff number	85444210
Country of origin	CHINA

### Technical data

#### Mechanical characteristics

Number of positions	8
Type of cable	Round cable
Cable structure	4x2xAWG26/7; S-UTP
Smallest bending radius, fixed installation	50 mm
Smallest bending radius, movable installation	62 mm
Length of cable	1 m
Ambient temperature (operation)	-10 °C ... 50 °C (Flexibly installed)
Ambient temperature (operation)	-25 °C ... 60 °C (fixed routing)

#### Material data

Outer sheath, material	PUR
External sheath, color	water blue RAL 5021
Degree of protection	IP20

#### Electrical characteristics

Number of positions	8
Transmission characteristics (category)	CAT5 (IEC 11801:2002), CAT5e (TIA 568B:2001)

#### Line characteristics

# Patch cable - VS-RJ45-RJ45-94P-1,0 - 1418057

## Technical data

### Line characteristics

Cable type	Ethernet
Cable structure	4x2xAWG26/7; S/FTP
Conductor cross section	4x 2x 0.14 mm <sup>2</sup>
AWG signal line	26
Conductor structure signal line	7x 0.16 mm
Core diameter including insulation	1.04 mm
Thickness, insulation	0.28 mm (signal line)
Thickness, insulation	0.65 mm (Outer cable sheath)
External cable diameter	6.4 mm ± 0.2 mm
Wire colors	white/blue-blue, white/orange-orange, white/green-green, white/brown-brown
External sheath, color	water blue RAL 5021
Transmission medium	Copper
Insulation resistance	≥ 500 MΩ*km (at 20 °C)
Conductor resistance	≤ 290 Ω/km (at 20 °C)
Transmission characteristics (category)	CAT6 <sub>A</sub>
Wave impedance	100 Ω ± 5 Ω (At 100 MHz)
Signal runtime	5.3 ns/m
Shield attenuation	≥ 80 dB (At 30 ... 100 MHz)
Nominal voltage, conductor	≤ 100 V (at 20 °C)
Test voltage Core/Core	700 V (50 Hz, 1 min.)
Test voltage Core/Shield	700 V (50 Hz, 1 min.)
Twisted pairs	2 cores to the pair
Type of pair shielding	Aluminum-lined polyester foil
Overall twist	4 pairs
Shielding	Tinned copper braided shield
Optical shield covering	70 %
Outer sheath, material	PUR
Material conductor insulation	PE
Conductor material	Bare Cu litz wires
Cable weight	43 kg/km
Smallest bending radius, fixed installation	25.6 mm
Smallest bending radius, movable installation	51.2 mm
Tensile strength short-term/long-term	≤ 100 N
Flame resistance	IEC 60332-1-2
Halogen-free	According to IEC 60754-1
Resistance to oil	in accordance with DIN EN 60811-2-1
Ambient temperature (operation)	-40 °C ... 70 °C (cable, fixed installation)
Ambient temperature (operation)	-10 °C ... 50 °C (cable, flexible installation)

## Patch cable - VS-RJ45-RJ45-94P-1,0 - 1418057

### Classifications

#### ETIM

ETIM 2.0	EC001262
ETIM 3.0	EC001262
ETIM 4.0	EC000830
ETIM 5.0	EC000830

#### UNSPSC

UNSPSC 11	26121609
UNSPSC 12.01	26121609
UNSPSC 13.2	26121609
UNSPSC 6.01	26121609
UNSPSC 7.0901	26121609

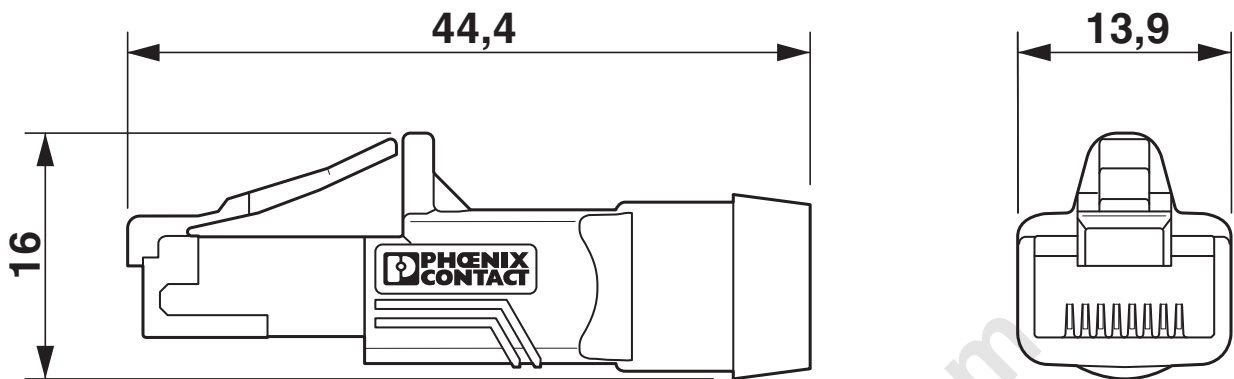
#### eCl@ss

eCl@ss 4.0	27250591
eCl@ss 4.1	27240409
eCl@ss 5.0	27259207
eCl@ss 5.1	27061801
eCl@ss 6.0	19170107
eCl@ss 7.0	19170112

### Drawings

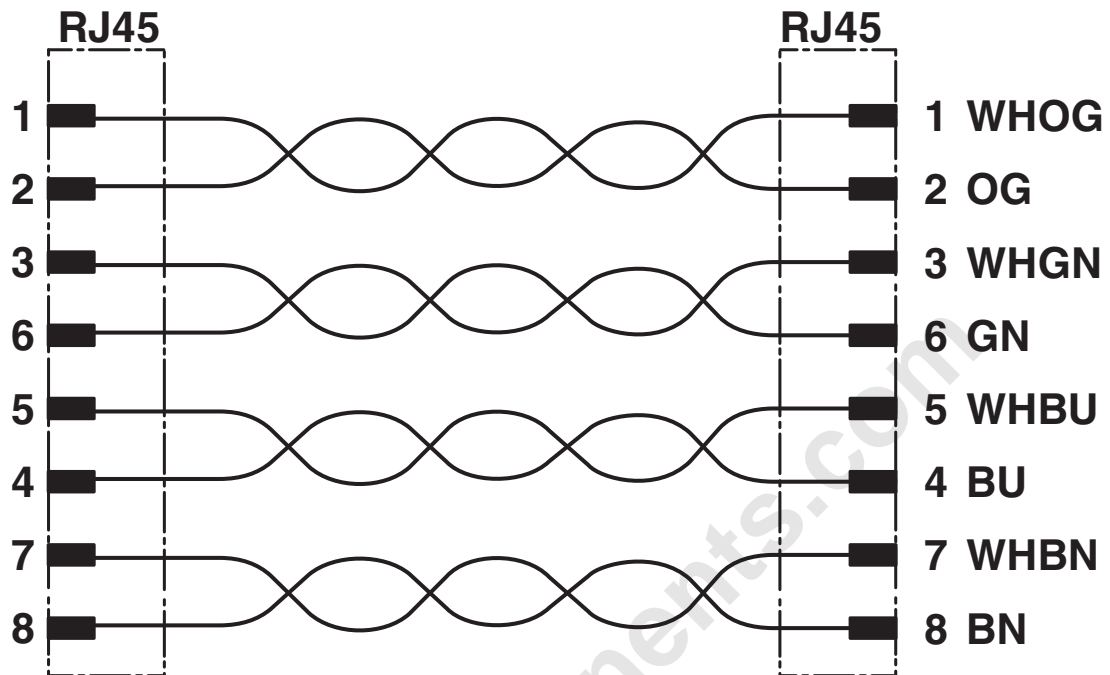
# Patch cable - VS-RJ45-RJ45-94P-1,0 - 1418057

Dimensioned drawing



# Patch cable - VS-RJ45-RJ45-94P-1,0 - 1418057

Circuit diagram



onlinecomponents.com