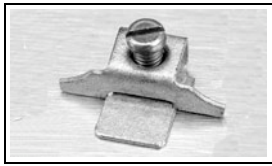


## 68 Product Details

[Share](#) [Print](#) [Email](#)



**68**

(1437382-3)

TE Internal Number: 1437382-3

Active

[View 3D PDF](#)

### Accessories (Terminal Block)

Always EU RoHS/ELV Compliant (Statement of Compliance)

#### Product Highlights:

- Accessory Type = Channel Clamp
- 0300 Series Block Series, 100 Series Block Series, 200 Series Block Series, 300 Series Block Series, 400 Series Block Series, 500 Series Block Series, 600 Series Block Series, 700 Series Block Series, 800 Series Block Series
- Used With 0300 Series Fuse and Switch Block, Used With 100 Series Terminal Block (Single and Double Tier), Used With 200 Series Terminal Block, Used With 300 Series Fuse and Switch Block, Used With 400 Series Terminal Block, Used With 500 Series Terminal Block, Used With 600 Series Terminal Block, Used With 700 Series Terminal Block, Used With 800 Series Terminal Block
- Block or Strip Style = NEMA
- Channel Clamp Type = Universal

[View all Features](#)

### Quick Links

- [Pricing & Availability](#)
- [Search for Tooling](#)
- [Product Feature Selector](#)
- [Contact Us About This Product](#)

[Add to My Part List](#) [Request Sample](#) [Find Similar Products](#) [Buy Product](#)

### Documentation & Additional Information

#### Product Drawings:

- [CHANNEL CLAMP ASSEMBLY \(PDF, English\)](#)

#### Catalog Pages/Data Sheets:

- [BUCHANAN TERMINAL BLOCKS CATALOG - NEMA TERMINAL BLOCKS \(PDF, English\)](#)

#### Product Specifications:

- None Available

#### Application Specifications:

- None Available

#### Instruction Sheets:

- None Available

#### CAD Files: [\(CAD Format & Compression Information\)](#)

- [2D Drawing \(DXF, Version A\)](#)
- [3D Model \(IGES, Version A\)](#)
- [3D Model \(STEP, Version A\)](#)

[List all Documents](#)

#### Related Products:

- [Tooling](#)

### Product Features (Please use the Product Drawing for all design activity)

#### Product Type Features:

- Accessory Type = Channel Clamp
- Block Series = 0300 Series, 100 Series, 200 Series, 300 Series, 400 Series, 500 Series, 600 Series, 700 Series, 800 Series
- Block or Strip Style = NEMA

#### Body Features:

- Used With = 0300 Series Fuse and Switch Block, 100 Series Terminal Block (Single and Double Tier), 200 Series Terminal Block, 300 Series Fuse and Switch Block, 400 Series Terminal Block, 500 Series Terminal Block, 600 Series Terminal Block, 700 Series Terminal Block, 800 Series Terminal Block
- Channel Clamp Type = Universal

#### Contact Features:

- Class = NEMA

#### Industry Standards:

- [RoHS/ELV Compliance](#) = RoHS compliant, ELV compliant
- [Lead Free Solder Processes](#) = Not relevant for lead free process
- [RoHS/ELV Compliance History](#) = Always was RoHS compliant

#### Other:

- Brand = Buchanan

### Corporate Information

[About TE](#)  
[Investors](#)  
[News Room](#)  
[Supplier Portal](#)

### Quick Links

[Distributor Inventory](#)  
[Product Cross Reference](#)  
[Documents & Drawings](#)  
[Product Compliance Support Center](#)

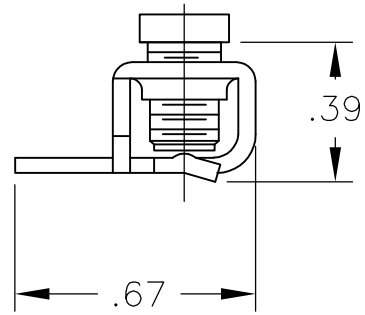
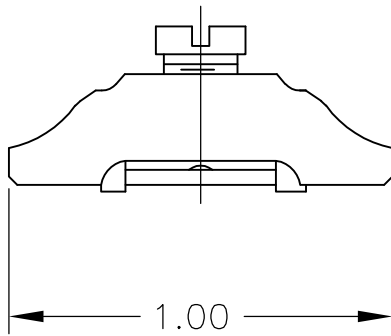
### Customer Support

[Email or Chat With Us](#)  
[Find a Phone Number](#)  
[Knowledge Base](#)  
[Manage Your Account](#)

LOC	DIST	REVISIONS					
		P	LTR	DESCRIPTION	DATE	DWN	APVD
—	—		A	REDRAWN PER ECO-08-023052	30SEP08	HMR	SM



MATERIAL: STEEL, ZINC PLATED



THIS DRAWING IS UNPUBLISHED.

ALL INTERNATIONAL RIGHTS RESERVED.

BY TYCO ELECTRONICS CORPORATION.

© COPYRIGHT

THIS DRAWING IS UNPUBLISHED.

DIMENSIONS: INCHES	DWN	30SEP08	MATERIAL		FINISH	—
	CHK	30SEP08	Tyco Electronics Corporation Harrisburg, PA 17105-3608			
TOLERANCES UNLESS OTHERWISE SPECIFIED:	APVD	30SEP08				
0 PLC ± -	PRODUCT SPEC	—	NAME			
1 PLC ± -	APPLICATION SPEC	—	CHANNEL CLAMP ASSEMBLY			
2 PLC ± -	WEIGHT	—	SIZE	CAGE CODE	DRAWING NO	RESTRICTED TO
3 PLC ± -			A4	00779	1437382-3	—
4 PLC ± -			CUSTOMER DRAWING			SCALE
ANGLES ± -						2:1
						SHEET
						1 OF 1
						REV
						A

