

**M12TWI-10 SERIES**  
 DRAWING NUMBER  
 ISSUE 7  
 RELEASE NO. CO 30386

REVISIONS  
 A PR 3999  
 B PR 3999  
 C PR 3999  
 D PR 3999  
 E PR 3999  
 F PR 3999  
 G PR 3999  
 H PR 3999  
 I PR 3999  
 J PR 3999  
 K PR 3999  
 L PR 3999  
 M PR 3999  
 N PR 3999  
 O PR 3999  
 P PR 3999  
 Q PR 3999  
 R PR 3999  
 S PR 3999  
 T PR 3999  
 U PR 3999  
 V PR 3999  
 W PR 3999  
 X PR 3999  
 Y PR 3999  
 Z PR 3999

CHECK  
 APPROVED  
 DATE

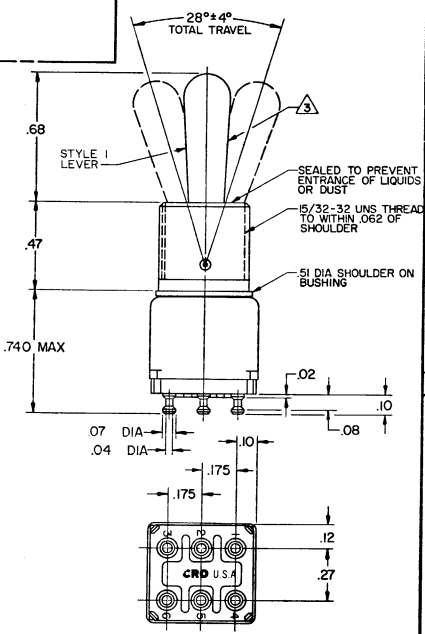
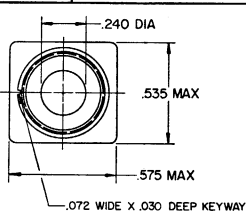
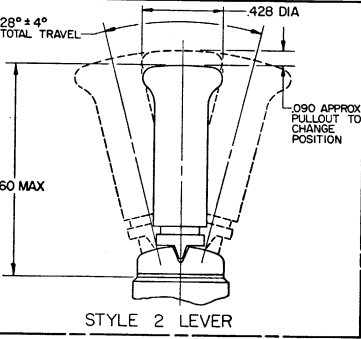
SCALE 2 TO 1  
 DO NOT SCALE PRINT  
 UNLESS OTHERWISE NOTED  
 DIMENSIONS ARE IN INCHES  
 TOLERANCES ARE:  
 ONE PLACE .10  
 TWO PLACE .001  
 THREE PLACE .0005  
 ANGLES .005  
 WEIGHT

**MICRO SWITCH**  
 FREEPORT, ILLINOIS, U.S.A.  
 A DIVISION OF HONEYWELL  
 FED. MFG. CODE 9188

**SWITCH - TOGGLE**

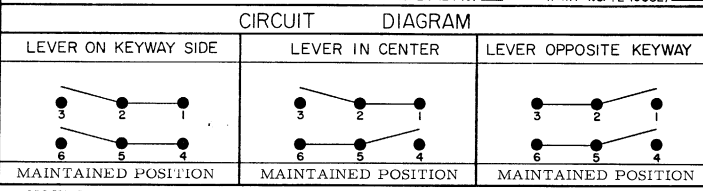
CATALOG LISTING  
**12TWI-10 SERIES**  
**CHART 1**

THIS DRAWING COVERS A PROPRIETARY ITEM AND IS THE PROPERTY OF MICRO SWITCH, A DIVISION OF MINNEAPOLIS-HONEYWELL REGULATOR CO. THIS DRAWING IS NOT TO BE COPIED OR USED WITHOUT THE APPROVAL OF MICRO SWITCH.



CAT. LIST.	AVAILABLE LOCKING COMBINATIONS FOR CONFIGURATION SEE LETTERED DETAILS	STYLE NO.	ELECTRICAL DATA		MS NUMBER
			-L117-	5A-125 VAC	
12TWI-10		1			MS27753-38
12TWI-10	A,B,C,D,E,F,G,H,I,J,K,L,M,N,P	2			MS27754-38

"A"	"B"	"D"	"E"	"F"	"G"
LOCKED IN THREE POSITIONS	LOCKED IN CENTER AND EXTREME POSITION (KEYWAY SIDE)	LOCKED OUT OF CENTER POSITION	LOCKED IN CENTER POSITION	LOCKED IN EXTREME POSITION (OPPOSITE KEYWAY)	LOCKED IN EXTREME POSITION (KEYWAY SIDE)
"H"	"J"	"K"	"L"	"M"	"N"
LOCKED OUT OF CENTER AND EXTREME POSITION (KEYWAY SIDE)	LOCKED OUT OF CENTER AND EXTREME POSITION (OPPOSITE KEYWAY)	LOCKED IN CENTER AND EXTREME POSITION (OPPOSITE KEYWAY)	LOCKED OUT OF EXTREME POSITION (KEYWAY SIDE)	LOCKED OUT OF AND INTO EXTREME POSITION (OPPOSITE KEYWAY)	LOCKED OUT OF EXTREME POSITION (OPPOSITE KEYWAY)
"P"					
LOCKED OUT OF AND INTO EXTREME POSITION (KEYWAY SIDE)	.47 DIA .018 REF .60 DIA LOCKWASHER (PART NO. TS-10013)		DIMENSIONS TO FIT KEYWAY IN BUSHING .05 .110 .392 .040 LOCKING RING (PART NO. EN-12449) .72 DIA		15/32-32 UNS-2 THREAD .078 .56 HEX NUT (PART NO. TL-10632)



**NOTES**  
 1 - FURNISHED UNASSEMBLED  
 2 - TERMINALS ARE PLATED FOR SOLDERING  
 3 - MATTE FINISH  
 4 - SUFFIX LETTER MUST BE ADDED FOR DESIRED TYPE TOGGLE LOCKING. SEE CHART FOR AVAILABLE LOCKING COMBINATIONS.