

DC FAN



Standard Fan San Ace 80
Square type : 80mm Thick : 25mm

PDF
The PDF file of this product can be downloaded.

Without sensor, Ribless

Features

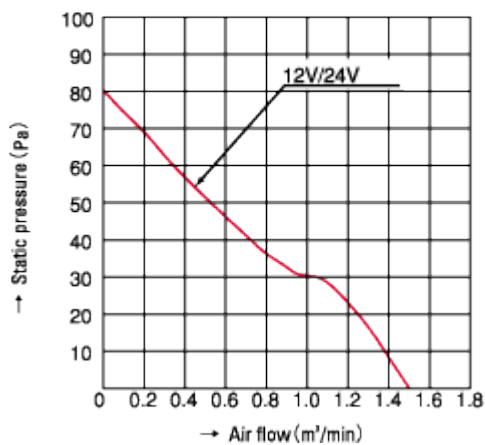
Motor protection system	Current cut system 15,20,25mm thick (with reverse-connection protection) PTC protection system(32mm thick)
Dielectric strength	50/60 Hz, 500VAC, 1 minute (between lead conductor and frame)
Operating thermally range	-10°C to +60°C (non-condensing)
Fan power lead	G,A,S,H,F,W speeds, +red, -black Mspeed, +red, -blue

Specifications

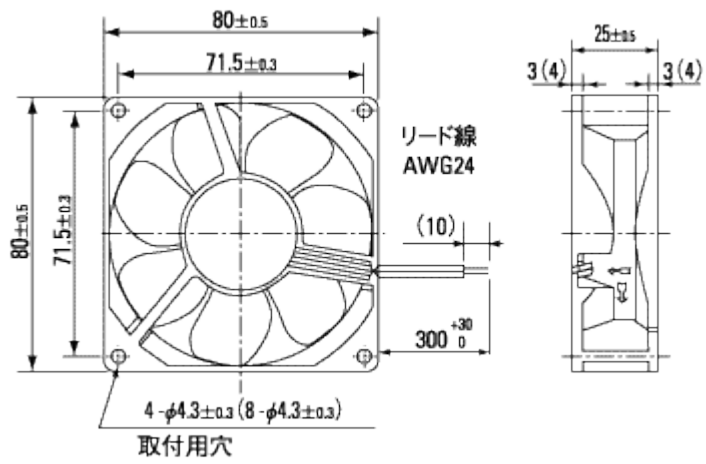
Model No.	Rated Voltage (V)	Operating voltage range (V)	Rated current (A)	Rated input (W)	Rated speed (min ⁻¹)	Air flow (m ³ /min)	Static pressure (Pa)	Noise (dB[A])	Mas (g)
109R0824G4021	24	20.4-26.4	0.2	4.8	4500	1.5	80.4	40	150

Typical air flow and static pressure characteristics

G speed



Dimensions (unit:mm)



Reference dimensional diagram for installation holes (unit:mm)

