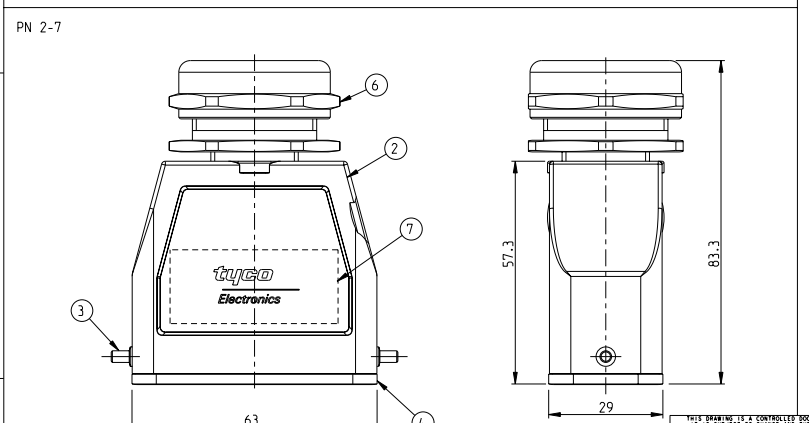
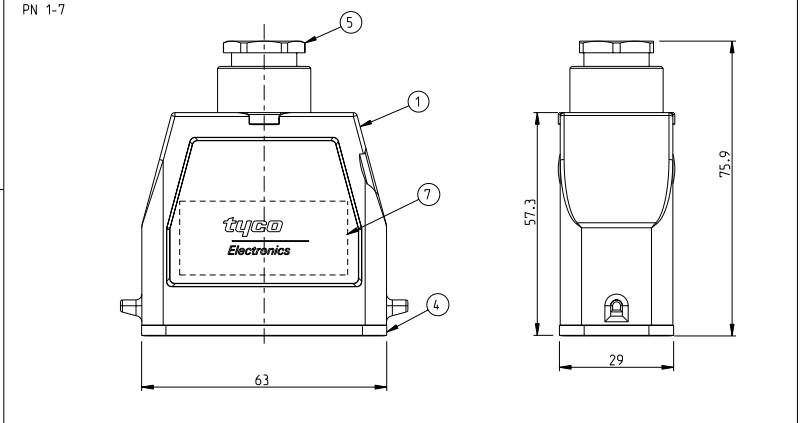
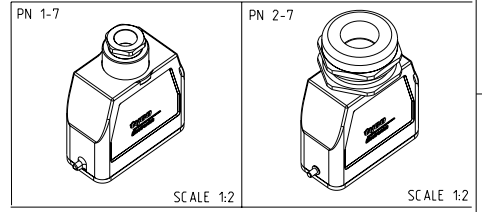


THIS DRAWING IS UNPUBLISHED. RELEASED FOR PUBLICATION .2000
 © COPYRIGHT 2000 BY TYCO ELECTRONICS CORPORATION. ALL RIGHTS RESERVED.



LOC	DIST	REVISIONS				
P	LTR	DESCRIPTION	DATE	DWN	APVD	
A1	-	B4	ECR-10-016845	12AUG2010	GW	BR

- NOTES
- 1 PACKAGING QUANTITY: 5 PIECES PER BOX
 - 2 MATERIAL: HOUSING ALUMINIUM DIECASTING ALLOY
 - 3 SURFACE: ALUMINIUM OXIDE-VARNISH BLACK VARNISH-GREY
 - 4 VARNISH ON THE INSIDE NOT NECESSARY
 - 5 OBSOLETE PARTS: OBSOLETE CIS STREAMLINING PER D.RENAUD/D.SINISI



OBSOLETE

QTY	DESCRIPTION	MATERIAL	SURFACE	COLOR	ITEM NO	REMARKS
2	INSULATING TAPE	COROPLAST TYP 303	-	GREY	7	PVC-SOFT
1	CABLE FITTING	BRASS	NICKEL PLATED	BLUE	6	PG16
1	CABLE FITTING ROUND	BRASS	NICKEL PLATED	BLUE	5	PG16
1	PROFILE SEAL	NEOPRENE	-	BLACK	4	
2	CLIP BOLT	STAINLES STEEL	BLANK	-	3	
1	HA-K.HOOD	ALUMINIUM	ALUMINIUM OXIDE	BLACK	2	
1	HA.HOOD	ALUMINIUM	-	GREY	1	

THIS DRAWING IS A CONTROLLED DOCUMENT FOR TYCO ELECTRONICS CORPORATION. IT IS SUBJECT TO CHANGE AND THE CONTROLLING ENGINEERING ORGANIZATION SHOULD BE CONTACTED FOR THE LATEST REVISION.

DIMENSIONS: mm	TOLERANCES UNLESS OTHERWISE SPECIFIED: 0 PLC ± 1 PLC ± 2 PLC ± 3 PLC ± 4 PLC ± ANGLES	DWN S.KUMAR 2/24/2006	Tyco Electronics Corporation, AMP GmbH 53757 Sankt Augustin, Germany
	FINISH	CHK R.SRINIVAS 2/24/2006	
MATERIAL		APVD T.SCHNURPFEL 2/24/2006	NAME HOOD HA.10.STO.1.16
		PRODUCT SPEC 108-74009	SIZE CAGE CODE DRAWING NO RESTRICTED TO
		APPLICATION SPEC 114-74001	A3 00779 C-1102118
		WEIGHT -	CUSTOMER DRAWING SCALE 1:1 SHEET 1 OF 1 REV B4

AMP 1470-19 REV 31MAR2000
 Pro/ENGINEER DRAWING