

MICRO SWITCH

FREEPORT, ILLINOIS, U.S.A.
A DIVISION OF HONEYWELL

FED. MFG. CODE 91929

SWITCH - TOGGLE

CATALOG LISTING
12TWI-10 SERIES

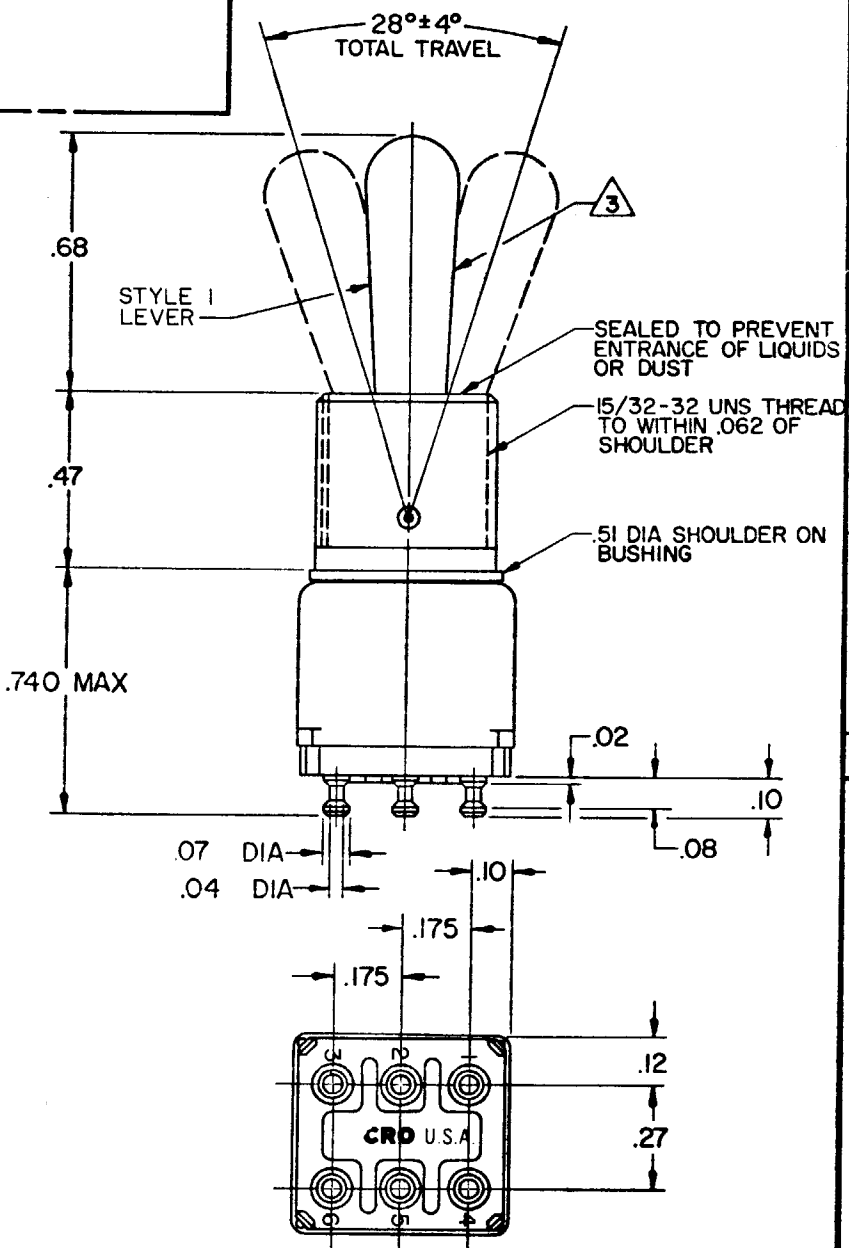
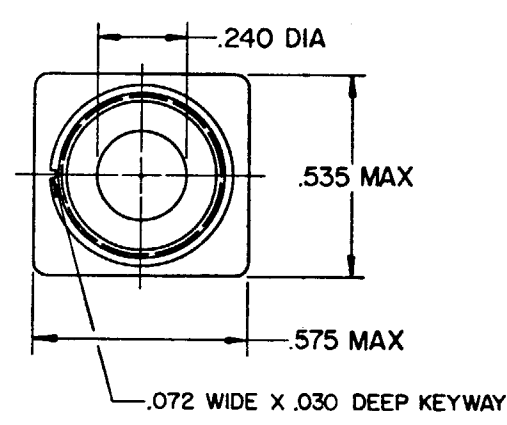
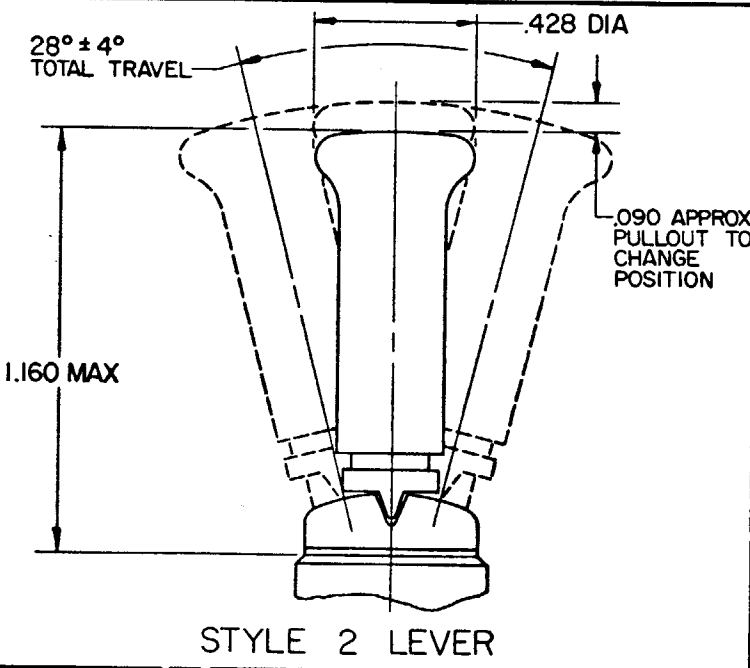
CHART 1

THIS DRAWING COVERS A PROPRIETARY ITEM AND IS THE PROPERTY OF MICRO SWITCH, A DIVISION OF MINNEAPOLIS-HONEYWELL REGULATOR CO. THIS DRAWING IS NOT TO BE COPIED OR USED WITHOUT THE APPROVAL OF MICRO SWITCH.

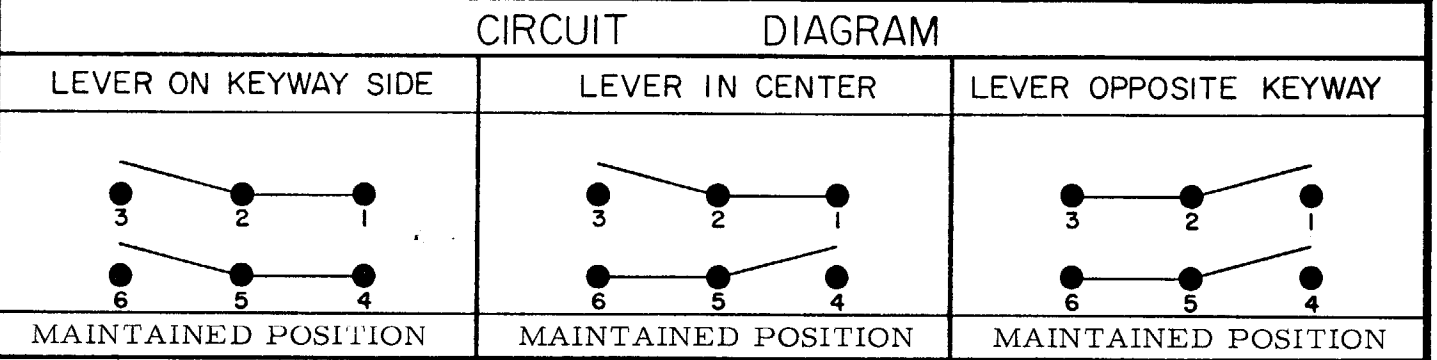
CAT. LIST.	AVAILABLE LOCKING COMBINATIONS FOR CONFIGURATION SEE LETTERED DETAILS	STYLE NO.	ELECTRICAL DATA		MS NUMBER
			-L117-	5A-125 VAC 	
12TWI-10		1			MS27753-38
12TWI-10	ABDEFGHJKLMNP	2			MS27754-38

M12TWI-10 SERIES
 REPLACES
 DRAWING NUMBER
 7
 ISSUE
 3

RELEASE NO. CO 30386
 CHECK
 REVISIONS
 A PR 3999 12TWI-10A 28 FEB 74
 B CO 50565 TSK 15 DEC 81
 C 0056672 JAS 1 FEB 85
 D 0068417
 E 0061252 KEW 6 DEC 85
 F 0062939 JAP 13 MAR 87
 TSK 24 FEB 88
 M J B 12 APR 72 CHECK 12/10/82



"A" LOCKED IN THREE POSITIONS	"B" LOCKED IN CENTER AND EXTREME POSITION (KEYWAY SIDE)	"D" LOCKED OUT OF CENTER POSITION	"E" LOCKED IN CENTER POSITION	"F" LOCKED IN EXTREME POSITION (OPPOSITE KEYWAY)	"G" LOCKED IN EXTREME POSITION (KEYWAY SIDE)
"H" LOCKED OUT OF CENTER AND EXTREME POSITION (KEYWAY SIDE)	"J" LOCKED OUT OF CENTER AND EXTREME POSITION (OPPOSITE KEYWAY)	"K" LOCKED IN CENTER AND EXTREME POSITION (OPPOSITE KEYWAY)	"L" LOCKED OUT OF EXTREME POSITION (KEYWAY SIDE)	"M" LOCKED OUT OF AND INTO EXTREME POSITION (OPPOSITE KEYWAY)	"N" LOCKED OUT OF EXTREME POSITION (OPPOSITE KEYWAY)
"P" LOCKED OUT OF AND INTO EXTREME POSITION (KEYWAY SIDE)	 LOCKWASHER (PART NO. TS-10013)		 LOCKING RING (PART NO. EN-12449)		 HEX NUT (2) (PART NO. TL-10632)



NOTES

- ① FURNISHED UNASSEMBLED
- 2 - TERMINALS ARE PLATED FOR SOLDERING
- ③ MATTE FINISH
- ④ SUFFIX LETTER MUST BE ADDED FOR DESIRED TYPE TOGGLE LOCKING. SEE CHART FOR AVAILABLE LOCKING COMBINATIONS.

SCALE 2 TO 1
DO NOT SCALE PRINT
UNLESS OTHERWISE NOTED
DIMENSIONS ARE IN INCHES
TOLERANCES ARE:

ONE PLACE	(.0)	±.030
TWO PLACE	(.00)	±.018
THREE PLACE	(.000)	±.005

WEIGHT

FO-52854 DRAWN