

## Round/slip-on connection - Q-MU-T - 1640993

Please be informed that the data shown in this PDF Document is generated from our Online Catalog. Please find the complete data in the user's documentation. Our General Terms of Use for Downloads are valid (<http://phoenixcontact.com/download>)

Nut, plastic, to lock the distributor in the case of panel feed-throughs



### Key Commercial Data

Packing unit	1 pc
Minimum order quantity	10 pc
Weight per Piece (excluding packing)	9.02 g
Custom tariff number	39269097
Country of origin	Germany

### Technical data

Product type	Mounting material
Approval	EAC

### Classifications

#### eCl@ss

eCl@ss 4.0	27140815
eCl@ss 4.1	27140815
eCl@ss 5.0	27143423
eCl@ss 5.1	27143423
eCl@ss 6.0	27143423
eCl@ss 7.0	27449001
eCl@ss 8.0	23110705

#### ETIM

ETIM 2.0	EC000516
----------	----------

# Round/slip-on connection - Q-MU-T - 1640993

## Classifications

### ETIM

ETIM 3.0	EC000516
ETIM 4.0	EC002382
ETIM 5.0	EC002382

### UNSPSC

UNSPSC 6.01	30211923
UNSPSC 7.0901	39121522
UNSPSC 11	39121522
UNSPSC 12.01	39121522
UNSPSC 13.2	39121522

## Approvals

### Approvals

---

Approvals

EAC

---

Ex Approvals

---

Approvals submitted

---

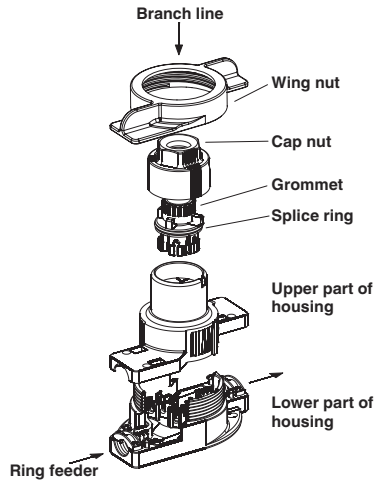
### Approval details

EAC
-----

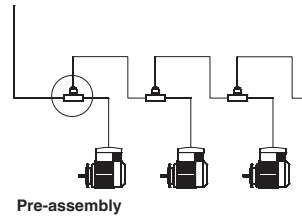
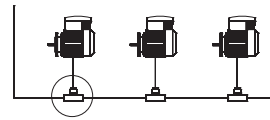
## Drawings

# Round/slip-on connection - Q-MU-T - 1640993

Explosion drawing

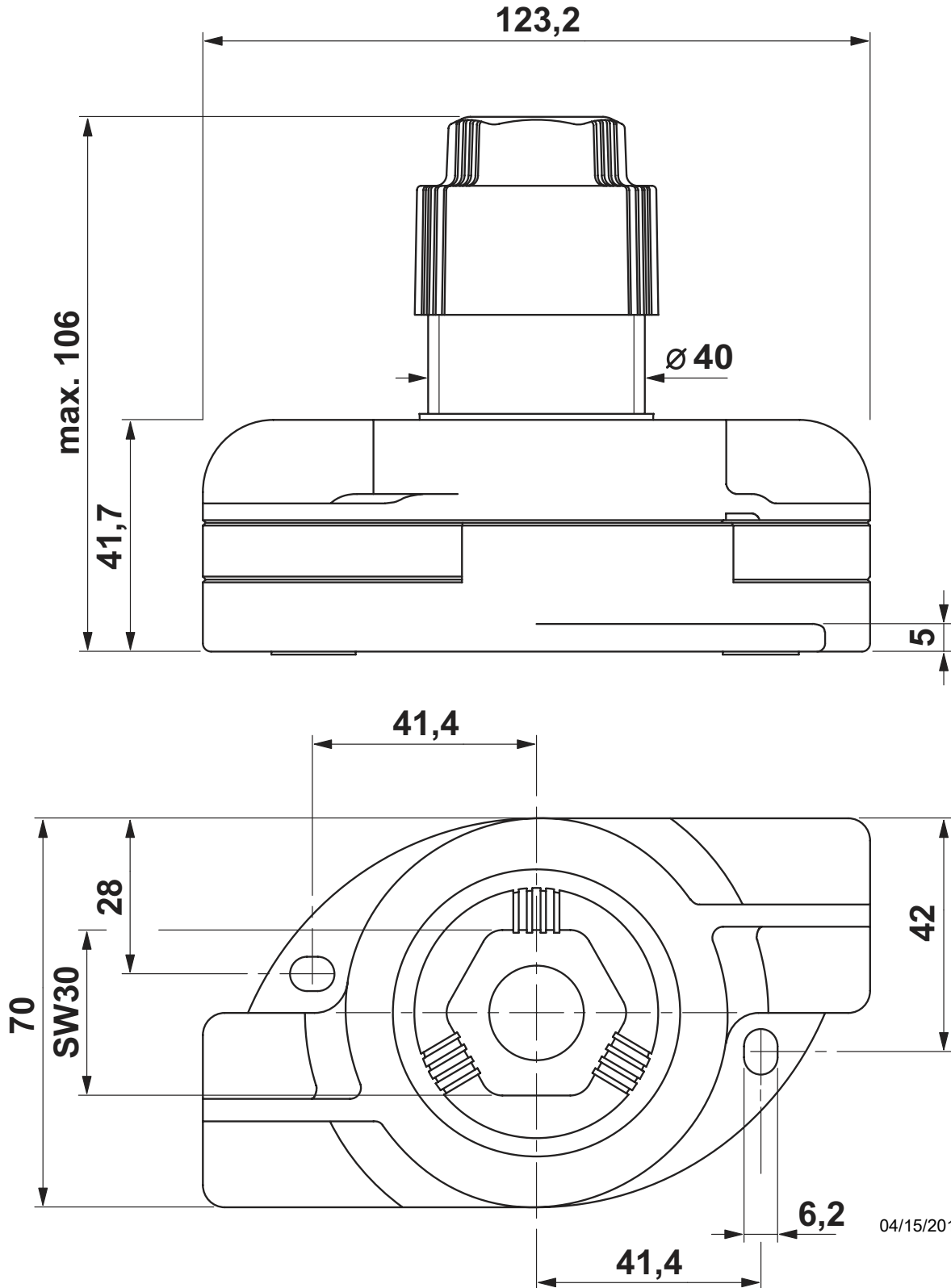


Application example



# Round/slip-on connection - Q-MU-T - 1640993

Dimensional drawing





# Mouser Electronics

Authorized Distributor

Click to View Pricing, Inventory, Delivery & Lifecycle Information:

[Phoenix Contact:](#)

[1640993](#)