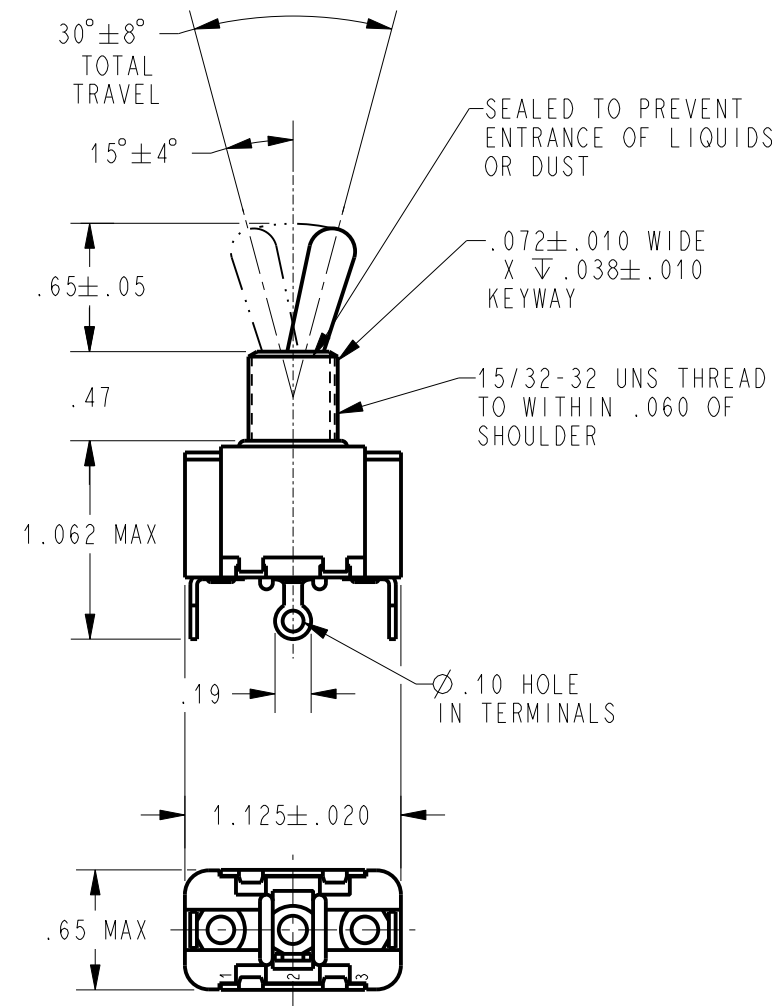
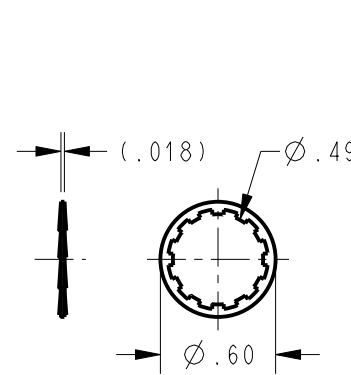


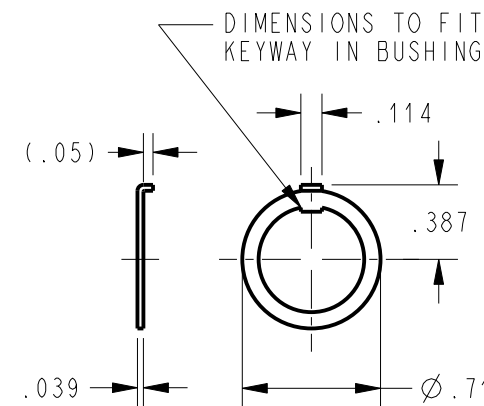
BRIGHT NICKEL LEVER



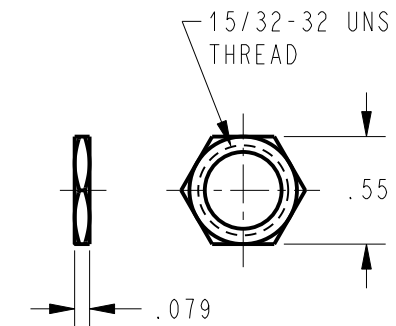
CATALOG LISTING	CIRCUIT WITH TOGGLE IN			ELECTRICAL DATA
	EXTREME POSITION KEYWAY 1-2 SIDE	CENTER	EXTREME POSITION OPPOSITE 2-3 SIDE	
11TS115-1	ON	OFF	ON	L311 10A 277 VAC, 20A 125 VAC 3/4HP 125, 250 VAC
11TS115-2	OFF	NONE	ON	
11TS115-3	ON	NONE	ON	
11TS115-5	MOM ON	OFF	ON	
11TS115-6	MOM ON	NONE	OFF	
11TS115-7	MOM ON	OFF	MOM ON	
11TS115-8	MOM ON	NONE	ON	



LOCKWASHER ①



LOCKING RING ①

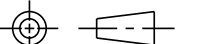


2X HEX NUT ①

NOTES

- ① FURNISHED UNASSEMBLED
- 2 - VISUAL DIFFERENCES IN TERMINAL SHAPES AND PLATING POSSIBLE

THIRD ANGLE PROJECTION



SCALE FULL

DO NOT SCALE PRINT

UNLESS OTHERWISE SPECIFIED TOLERANCES ARE

ONE PLACE	(.0)	±.030
TWO PLACE	(.00)	±.015
THREE PLACE	(.000)	±.005
ANGLES		±

WEIGHT