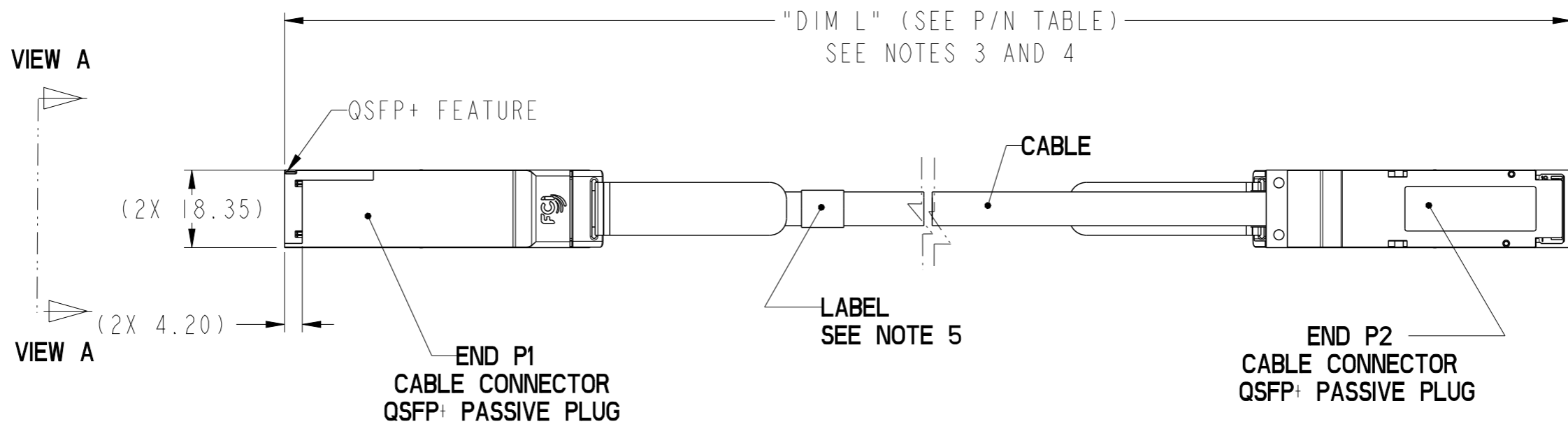
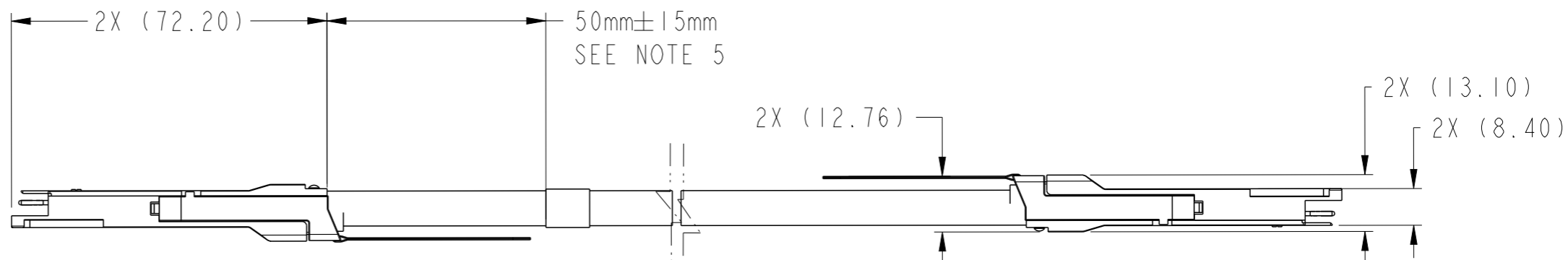
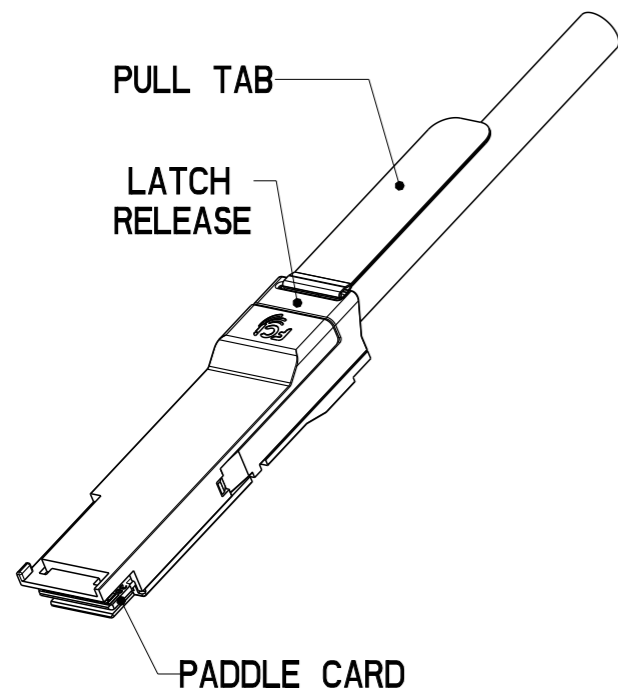


PRODUCT NUMBER	NOTES
10121178-XXXXLF	SEE SHT. 3

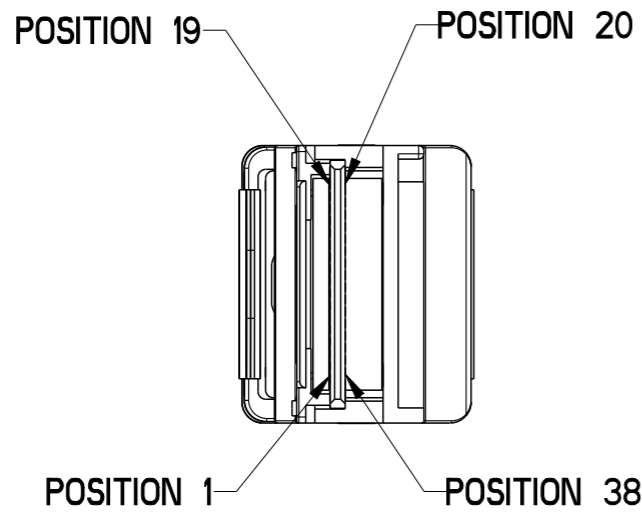


VIEW A
VIEW A

spec ref	dr	David Humbert	2012/06/21	projection	mm	size	A3	scale	3:10
tolerance std	eng	Michael Zhou	2015/12/24			ecn no	ELX-N-22873-1	rel level	Released
TOLERANCES UNLESS OTHERWISE SPECIFIED			chr						
surface	linear	0.X	±0.3		FINAL ASSEMBLY 4X28G QSFP+ (PASSIVE) ASSEMBLY	dwg no	10121178	rev	H
		0.XX	±0.10						
		0.XXX	±0.050						
	angular	0°	±2°	www.fci.com	cat. no.	-	Product - Customer Drw	sheet 1 of 3	

PRODUCT NUMBER	NOTES
10121178-XXXXLF	SEE SHT. 3

WIRING LIST (SEE NOTE 6)				
END P1			END P2	
POSITION	SYMBOL		POSITION	SYMBOL
1	GND (TX)	---▷	20	GND (RX)
2	TX2n	---▷	21	RX2n
3	TX2p	---▷	22	RX2p
4	GND (TX)	---▷	23	GND (RX)
5	TX4n	---▷	24	RX4n
6	TX4p	---▷	25	RX4p
7	GND (TX)	---▷	26	GND (RX)
13	GND (RX)	◁---	32	GND (TX)
14	RX3p	◁---	33	TX3p
15	RX3n	◁---	34	TX3n
16	GND (RX)	◁---	35	GND (TX)
17	RX1p	◁---	36	TX1p
18	RX1n	◁---	37	TX1n
19	GND (RX)	◁---	38	GND (TX)
20	GND (RX)	◁---	1	GND (TX)
21	RX2n	◁---	2	TX2n
22	RX2p	◁---	3	TX2p
23	GND (RX)	◁---	4	GND (TX)
24	RX4n	◁---	5	TX4n
25	RX4p	◁---	6	TX4p
26	GND (RX)	◁---	7	GND (TX)
32	GND (TX)	---▷	13	GND (RX)
33	TX3p	---▷	14	RX3p
34	TX3n	---▷	15	RX3p
35	GND (TX)	---▷	16	GND (RX)
36	TX1p	---▷	17	RX1p
37	TX1n	---▷	18	RX1n
38	GND (TX)	---▷	19	GND (RX)



LOW SPEED SIGNALS P1 & P2	
POSITION	SYMBOL
8	ModSell
9	ResetL
10	VccRx
11	SCL
12	SDA
27	ModPrsL
28	IntL
29	VccTx
30	VccI
31	LPMode

SHIELD-----▷ SHIELD

spec ref	dr	David Humbert	2012/06/21	projection	mm	size	A3	scale	3:10	
tolerance std	eng	Michael Zhou	2015/12/24			ecn no	ELX-N-22873-1	rel level	Released	
TOLERANCES UNLESS OTHERWISE SPECIFIED										product family
surface	linear	0.X	±0.3		title FINAL ASSEMBLY 4X28G QSFP+ (PASSIVE) ASSEMBLY	dwg no 10121178	rev H	Product - Customer Drw		
		0.XX	±0.10					cat. no.	-	sheet 2 of 3
		0.XXX	±0.050					www.fci.com		
angular	0°	±2°								



Copyright FCI.

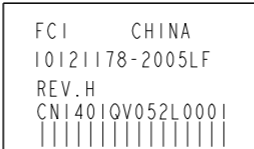
PRODUCT NUMBER	NOTES
10121178-XXXXLF	SEE SHT. 3

CABLE ASSEMBLY PART NUMBERS			
PART NUMBERS	AWG	DIMENSION "L"	NOTES
10121178-2005LF	30	0.5	
10121178-2006LF	30	0.6	
10121178-2007LF	30	0.7	
10121178-2008LF	30	0.8	
10121178-2009LF	30	0.9	
10121178-2010LF	30	1.0	
10121178-2015LF	30	1.5	
10121178-2020LF	30	2.0	
10121178-2025LF	30	2.5	
10121178-2030LF	30	3.0	
10121178-4005LF	26	0.5	
10121178-4010LF	26	1.0	
10121178-4015LF	26	1.5	
10121178-4020LF	26	2.0	
10121178-4025LF	26	2.5	
10121178-4030LF	26	3.0	
10121178-403ALF	26	3.25	
10121178-4035LF	26	3.5	
10121178-4040LF	26	4.0	
10121178-4045LF	26	4.5	
10121178-4050LF	26	5.0	

NOTES:

- ① - MATERIAL:
 CASTINGS: ZINC ALLOY/ COPPER UNDERPLATE/ NICKEL OVERPLATE
 PULL TAB: THERMOPLASTIC POLYMER
 LATCH RELEASE: ZINC DIECAST, NICKEL OVERPLATE
 DRIVE SCREWS: STAINLESS STEEL
 STRAIN RELIEF COLLAR: BRASS
 SPRING: STAINLESS STEEL
 PADDLE CARD: PRINTED CIRCUIT SUBSTRATE
- 2 - THIS PRODUCT MEETS THE RESTRICTION OF HAZARDOUS SUBSTANCES IN ELECTRICAL AND ELECTRONIC EQUIPMENT (RoHS) DIRECTIVE (2011/65/EU)
- ③ - THIS DIMENSION IS A FINISHED PRODUCT LENGTH.
- ④ - UNLESS OTHERWISE SPECIFIED ASSEMBLED LENGTH TOLERANCE IS TO BE:
 "DIM L" < 1 METER = ± 25mm
 "DIM L" = 1 METER TO 10 METERS = ± 2% OF "DIM L"
 "DIM L" > 10 METERS = +0.00 / -4% OF "DIM L"
- ⑤ - UNLESS OTHERWISE SPECIFIED LABEL POSITION IS TO BE 50mm FROM REAR OF CONNECTOR.
 LABEL DETAILS:

MANUFACTURER CODE AND NAME COUNTRY ORIGIN
 CUSTOMER P/N OR FCI P/N
 REVISION
 FCI SERIAL NUMBER
 BAR CODE OF SERIAL NUMBER



CHINA YYWW
 CN1330QV052L0001

PRESENT PRODUCT BASE NUMBER(USE "QV") FCI SERIAL NUMBER (0001-9999)
 LENGTH(05 IS 0.5METER) L IS NON-HALOGEN FREE TYPE
 CABLE AWG(2 IS 30 AWG, 3 IS 28 AWG, 4 IS 26AWG)

FONT SHALL BE CLEARLY VISIBLE AND BLACK IN COLOR.

- 6 - ALL CABLE ASSEMBLIES SHALL BE 100% TESTED FOR CONTINUITY AS DEFINED IN WIRING LIST.
- 7 - IMPEDANCE: 100Ω DIFFERENTIAL.
- ⑧ - OTHER TESTING PERFORMED AS REQUIRED BY LATEST PRODUCT SPECIFICATION: GS-12-622.
- 9 - PACKAGING OF LEAD FREE PRODUCTS MEETS LABELING AND PACKAGING PER SPECIFICATION GS-14-920. PACKAGE CABLE ASSEMBLIES PER GS-14-1272. DUST CAPS ARE TO BE ASSEMBLED PRIOR TO PACKAGING.
- 10. A "△" SYMBOL WILL BE NEXT TO ANY DIMENSION, VIEW, OR NOTE WHICH HAS BEEN MODIFIED WITH THE CURRENT DRAWING REVISION. THE CURRENT REVISION WILL BE SHOWN IN THE SYMBOL.
- 11. PRODUCT CAPABILITY MATRIX SHOWS THE MINIMUM RECOMMENDED CABLE GAUGE PER LENGTH TO MEET THE PERFORMANCE LEVEL OF EACH INDUSTRY STANDARD.
- 12. EEPROM INFORMATION REFERS TO THE LATEST FCI QSFP+ SPECIFICATION GS-12-622

- ⑨ - RAW CABLE IS OPTIONAL WHICH HAD BEEN QUALIFIED BY FCI AND MEET INDUSTRIAL SPECIFICATION.
- ⑩ - HALOGEN FREE RAW CABLE CAN BE USED AS A SUSBTITUE FOR NON-HALOGEN FREE RAW CABLE.

PRODUCT CAPABILITY MATRIX (SEE NOTE 11)					
INDUSTRY STANDARD	UNEQUALIZED CABLE LENGTH/AWG				
	1M	2M	3.0M	4M	5M
OIF CEI-25G-LR	30AWG	30AWG	30AWG	26AWG	26AWG
IEEE 802.3bj	30AWG	30AWG	30AWG	26AWG	26AWG

spec ref	dr	David Humbert	2012/06/21	projection	mm	size	A3	scale	1:1		
tolerance std	eng	Michael Zhou	2015/12/24			ecn no	ELX-N-22873-1	rel level	Released		
TOLERANCES UNLESS OTHERWISE SPECIFIED	chr	-	-							product family	QSFP PLUG
	appr	Frank Mao	2015/12/24			dwg no	10121178	rev	H		
	surface	linear	0.X ±0.3	0.XX ±0.10	0.XXX ±0.050	angular	0° ±2°	www.fci.com	cat. no.	-	Product - Customer Drw