

WPDB Power Distribution Blocks



Now you can manage multiple load connections and a wide range of wire sizes with Weidmüller's Power Distribution blocks. By using the best materials and the best technology, Weidmüller provides the safest and most innovative connections available in a wide area of industrial applications, including; machinery, material handling, building/installation and power conditioning.

These DIN-rail mountable blocks combine installed cost savings over traditional methods, high short-circuit protection, and application flexibility. Weidmüller's Power Distribution Blocks deliver power and performance – without compromising safety requirements.

- Space-saving design
- For use with a wide range of wire sizes
- SCCR rated* (UL 508-A, 100kA)
- IEC finger-safe design
- IP20 class protection
- For DIN-rail or direct mounting

* when used with fuses

Canada

Weidmüller, Canada
10 Spy Court
Markham, Ontario L3R 5H6
Telephone: (800) 268-4080
Facsimile: (905) 475-2798
Email: info1@weidmuller.ca
Website: www.weidmuller.ca

Mexico

Weidmüller, Mexico
Blvd. Hermanos Serdán 698
Col. San Rafael Oriente
Puebla, Puebla, Mexico
C.P. 72029
Telephone: 01 222 2686267
Facsimile: 01 222 2686219
Email: clientes@weidmuller.com.mx
Website: www.weidmuller.com.mx

United States

Weidmüller
821 Southlake Blvd.
Richmond, Virginia 23236
Telephone: (800) 849-9343
Facsimile: (804) 379-2593
Email: info@weidmuller.com
Website: www.weidmuller.com

Weidmüller 

WPDB 70 1-1
WPDB 70 1-1 AL



WPDB 70/35 1-4
WPDB 70/35 1-4 AL



WPDB 185 1-1
WPDB 185 1-1 AL



| Type | Part No. |
|----------------|-------------------|
| WPDB 70 1-1 | 1879470000 |
| WPDB 70 1-1 AL | 1879460000 |

| Technical Data | |
|--------------------|---|
| Housing material | PA 66/6 |
| Flammability class | UL 94 V0 |
| Conductor | WPDB 70 1-1: Copper (75°C Cu wire only) WPDB 70 1-1 AL: Aluminum (90°C Cu/Al wire) |
| Contact material | WPDB 70 1-1: Copper WPDB 70 1-1 AL: Aluminum |
| Contact plating | Zinc |

| Current Rating | |
|----------------|----------------|
| UL/CSA* | 175 A at 600 V |

| Line | |
|-----------------------------|-----------|
| Wire gauge, AWG | 2/0...#14 |
| Wire gauge, mm ² | 70...2.5 |
| Number of poles | 1 |

| Load | |
|-----------------------------|-----------|
| Wire gauge, AWG | 2/0...#14 |
| Wire gauge, mm ² | 70...2.5 |
| Number of poles | 1 |

| Operating Specifications | |
|--------------------------|---------------|
| Maximum temperature | 100°C |
| Operating range | -10°C...+60°C |
| Storage temperature | -25°C...+60°C |

| Accessories | |
|--|-------------------|
| SK WSD-S (1.5-10 mm 9 piece set, Allen head screwdrivers) | 9008850000 |
| SST WPDB (Accessory pin for fixing multi-pole block assemblies) | 1879490000 |
| WEW 35/3 (Pair of end brackets) | 1879390000 |
| VK WPDB 1 (Cap for spare 2/0 line connections) | 1879370000 |
| VK WPDB 2 (Cap for spare 350 kcmil line connections) | 1879380000 |

| Marking Tags | |
|---------------------|-------------------|
| KSW Strips, blank** | 1629970000 |

*Based on NEC table 310-16 for 75°C copper wire
**Pre-printed strips standard with product. Custom strips also available.

| Type | Part No. |
|-------------------|-------------------|
| WPDB 70/35 1-4 | 1879360000 |
| WPDB 70/35 1-4 AL | 1879480000 |

| Technical Data | |
|--------------------|---|
| Housing material | PA 66/6 |
| Flammability class | UL 94 V0 |
| Conductor | WPDB 70/35 1-4: Copper (75°C Cu wire only) WPDB 70/35 1-4 AL: Aluminum (90°C Cu/Al wire) |
| Contact material | WPDB 70/35 1-4: Copper WPDB 70/35 1-4 AL: Aluminum |
| Contact plating | Zinc |

| Current Rating | |
|----------------|----------------|
| UL/CSA* | 175 A at 600 V |

| Line | |
|-----------------------------|-----------|
| Wire gauge, AWG | 2/0...#14 |
| Wire gauge, mm ² | 70...2.5 |
| Number of poles | 1 |

| Load | |
|-----------------------------|----------|
| Wire gauge, AWG | #2...#14 |
| Wire gauge, mm ² | 35...2.5 |
| Number of poles | 4 |

| Operating Specifications | |
|--------------------------|---------------|
| Maximum temperature | 100°C |
| Operating range | -10°C...+60°C |
| Storage temperature | -25°C...+60°C |

| Accessories | |
|--|-------------------|
| SK WSD-S (1.5-10 mm 9 piece set, Allen head screwdrivers) | 9008850000 |
| SST WPDB (Accessory pin for fixing multi-pole block assemblies) | 1879490000 |
| WEW 35/3 (Pair of end brackets) | 1879390000 |
| VK WPDB 1 (Cap for spare 2/0 line connections) | 1879370000 |
| VK WPDB 2 (Cap for spare 350 kcmil line connections) | 1879380000 |

| Marking Tags | |
|---------------------|-------------------|
| KSW Strips, blank** | 1629970000 |

*Based on NEC table 310-16 for 75°C copper wire
**Pre-printed strips standard with product. Custom strips also available.

| Type | Part No. |
|-----------------|-------------------|
| WPDB 185 1-1 | 1879410000 |
| WPDB 185 1-1 AL | 1879400000 |

| Technical Data | |
|--------------------|---|
| Housing material | PA 66/6 |
| Flammability class | UL 94 V0 |
| Conductor | WPDB 185 1-1: Copper (75°C Cu wire only) WPDB 185 1-1 AL: Aluminum (90°C Cu/Al wire) |
| Contact material | WPDB 185 1-1: Copper WPDB 185 1-1 AL: Aluminum |
| Contact plating | Zinc |

| Current Rating | |
|----------------|----------------|
| UL/CSA* | 335 A at 600 V |

| Line | |
|-----------------------------|----------|
| Wire , AWG | 400...#6 |
| Wire gauge, mm ² | 185...16 |
| Number of poles | 1 |

| Load | |
|-----------------------------|----------|
| Wire gauge, AWG | 400...#6 |
| Wire gauge, mm ² | 185...16 |
| Number of poles | 1 |

| Operating Specifications | |
|--------------------------|---------------|
| Maximum temperature | 100°C |
| Operating range | -10°C...+60°C |
| Storage temperature | -25°C...+60°C |

| Accessories | |
|--|-------------------|
| SK WSD-S (1.5-10 mm 9 piece set, Allen head screwdrivers) | 9008850000 |
| SST WPDB (Accessory pin for fixing multi-pole block assemblies) | 1879490000 |
| WEW 35/3 (Pair of end brackets) | 1879390000 |
| VK WPDB 1 (Cap for spare 2/0 line connections) | 1879370000 |
| VK WPDB 2 (Cap for spare 350 kcmil line connections) | 1879380000 |

| Marking Tags | |
|---------------------|-------------------|
| KSW Strips, blank** | 1629970000 |

*Based on NEC table 310-16 for 75°C copper wire
**Pre-printed strips standard with product. Custom strips also available.

WPDB 185/35 1-8
WPDB 185/35 1-8 AL



WPDB 300 2-2
WPDB 300 2-2 AL



WPDB 16/6 3/4



| Type | Part No. |
|--------------------|-------------------|
| WPDB 185/35 1-8 | 1879430000 |
| WPDB 185/35 1-8 AL | 1879420000 |

| Technical Data | |
|--------------------|---|
| Housing material | PA 66/6 |
| Flammability class | UL 94 V0 |
| Conductor | WPDB 185/35 1-8: Copper (75°C Cu wire only) WPDB 185/35 1-8 AL: Aluminum (90°C Cu/Al wire) |
| Contact material | WPDB 185/35 1-8: Copper WPDB 185/35 1-8 AL: Aluminum |
| Contact plating | Zinc |

| Current Rating | |
|----------------|----------------|
| UL/CSA* | 310 A at 600 V |

| Line | |
|-----------------------------|----------------------|
| Wire gauge, AWG | 350...#6 / 2/0...#14 |
| Wire gauge, mm ² | 185...16 / 70...2.5 |
| Number of poles | 1 |

| Load | |
|-----------------------------|----------|
| Wire gauge, AWG | #8...#14 |
| Wire gauge, mm ² | 8...2.5 |
| Number of poles | 8 |

| Operating Specifications | |
|--------------------------|---------------|
| Maximum temperature | 100°C |
| Operating range | -10°C...+60°C |
| Storage temperature | -25°C...+60°C |

| Accessories | |
|--|-------------------|
| SK WSD-S (1.5-10 mm 9 piece set, Allen head screwdrivers) | 9008850000 |
| SST WPDB (Accessory pin for fixing multi-pole block assemblies) | 1879490000 |
| WEW 35/3 (Pair of end brackets) | 1879390000 |
| VK WPDB 1 (Cap for spare 2/0 line connections) | 1879370000 |
| VK WPDB 2 (Cap for spare 350 kcmil line connections) | 1879380000 |

| Marking Tags | |
|---------------------|-------------------|
| KSW Strips, blank** | 1629970000 |

| Type | Part No. |
|-----------------|-------------------|
| WPDB 300 2-2 | 1879450000 |
| WPDB 300 2-2 AL | 1879440000 |

| Technical Data | |
|--------------------|---|
| Housing material | PA 66/6 |
| Flammability class | UL 94 V0 |
| Conductor | WPDB 300 2-2: Copper (75°C Cu wire only) WPDB 300 2-2 AL: Aluminum (90°C Cu/Al wire) |
| Contact material | WPDB 300 2-2: Copper WPDB 300 2-2 AL: Aluminum |
| Contact plating | Zinc |

| Current Rating | |
|----------------|----------------|
| UL/CSA* | 840 A at 600 V |

| Line | |
|-----------------------------|----------|
| Wire gauge, AWG | 600...#4 |
| Wire gauge, mm ² | 300...25 |
| Number of poles | 2 |

| Load | |
|-----------------------------|----------|
| Wire gauge, AWG | 600...#4 |
| Wire gauge, mm ² | 300...25 |
| Number of poles | 2 |

| Operating Specifications | |
|--------------------------|---------------|
| Maximum temperature | 100°C |
| Operating range | -10°C...+60°C |
| Storage temperature | -25°C...+60°C |

| Accessories | |
|--|-------------------|
| SK WSD-S (1.5-10 mm 9 piece set, Allen head screwdrivers) | 9008850000 |
| SST WPDB (Accessory pin for fixing multi-pole block assemblies) | 1879490000 |
| WEW 35/3 (Pair of end brackets) | 1879390000 |
| VK WPDB 2 (Cap for spare 350 kcmil line connections) | 1879380000 |
| VK WPDB 3 (Cap for spare 600 kcmil line connections) | 1880060000 |

| Marking Tags | |
|---------------------|-------------------|
| KSW Strips, blank** | 1629970000 |

| Type | Part No. |
|---------------|-------------------|
| WPDB 16/6 3/4 | 1939440000 |

| Technical Data | |
|--------------------|----------------------------|
| Housing material | Wemid |
| Flammability class | UL 94 V0 |
| Conductor | Copper (75°C Cu wire only) |
| Contact material | Copper |
| Contact plating | |

| Current Rating | |
|----------------|---------------|
| UL | 80 A at 600 V |

| Line | |
|-----------------------------|----------|
| Wire gauge, AWG | 14...6 |
| Wire gauge, mm ² | 2.5...16 |
| Number of poles | 1 |

| Load | |
|-----------------------------|----------------------------|
| Wire gauge, AWG | (X2) 14...6/(X4) x14...10 |
| Wire gauge, mm ² | (X2) 2.5...16/(X4) 2.5...6 |
| Number of poles | 6 |

| Operating Specifications | |
|--------------------------|--------|
| Maximum temperature | 120° C |
| Operating range | |
| Storage temperature | |

| Accessories | |
|---|-------------------|
| SDK PZ1 (crosshead screwdriver, Pozidriv type) | 9008530000 |
| SDK PZ2 (crosshead screwdriver, Pozidriv type) | 9008540000 |
| SK-S 2.0-8.0 (7-piece hexagon wrench set) | 9008860000 |

| Marking Tags | |
|------------------------|-------------------|
| LogiMark Strips, blank | 1882890000 |

*Based on NEC table 310-16 for 75°C copper wire
**Pre-printed strips standard with product. Custom strips also available.

*Based on NEC table 310-16 for 75°C copper wire
**Pre-printed strips standard with product. Custom strips also available.

WPDB 35-16/16 1-16



| Type | Part No. |
|--------------------|------------|
| WPDB 35-16/16 1-16 | 1939450000 |

| Technical Data | |
|--------------------|----------------------------|
| Housing material | Wemid |
| Flammability class | UL 94 V0 |
| Conductor | Copper (75°C Cu wire only) |

| | |
|------------------|--------|
| Contact material | Copper |
| Contact plating | |

| Current Rating | |
|----------------|----------------|
| UL | 115 A at 600 V |

| Line | |
|-----------------|--------------------------|
| Wire gauge, AWG | (x1) 8...2/(x1) 10...6 |
| Wire gauge, mm² | (x1) 10...35/(x1) 6...16 |
| Number of poles | 2 |

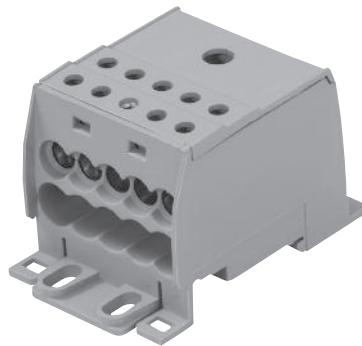
| Load | |
|-----------------|----------|
| Wire gauge, AWG | 14...6 |
| Wire gauge, mm² | 2.5...16 |
| Number of poles | 6 |

| Operating Specifications | |
|--------------------------|--------|
| Maximum temperature | 120° C |
| Operating range | |
| Storage temperature | |

| Accessories | |
|---|------------|
| SDK PZ2 (crosshead screwdriver, Pozidriv type) | 9008540000 |
| SK-S 2.0-8.0 (7-piece hexagon wrench set) | 9008860000 |

| Marking Tags | |
|------------------------|------------|
| LogiMark Strips, blank | 1882890000 |

WPDB 70/16 1/10



| Type | Part No. |
|-----------------|------------|
| WPDB 70/16 1/10 | 1939460000 |

| Technical Data | |
|--------------------|----------------------------|
| Housing material | Wemid |
| Flammability class | UL 94 V0 |
| Conductor | Copper (75°C Cu wire only) |

| | |
|------------------|--------|
| Contact material | Copper |
| Contact plating | |

| Current Rating | |
|----------------|---------------|
| UL | 115 A at 600V |

| Line | |
|-----------------|---------|
| Wire gauge, AWG | 6...0 |
| Wire gauge, mm² | 16...70 |
| Number of poles | 1 |

| Load | |
|-----------------|----------|
| Wire gauge, AWG | 14...6 |
| Wire gauge, mm² | 2.5...16 |
| Number of poles | 10 |

| Operating Specifications | |
|--------------------------|--------|
| Maximum temperature | 120° C |
| Operating range | |
| Storage temperature | |

| Accessories | |
|--|------------|
| SK-S 2.0-8.0 (7-piece hexagon wrench set) | 9008860000 |

| Marking Tags | |
|------------------------|------------|
| LogiMark Strips, blank | 1882890000 |

WPDB 120/35-16-10 1/2-5-4



| Type | Part No. |
|---------------------------|------------|
| WPDB 120/35-16-10 1/2-5-4 | 1939470000 |

| Technical Data | |
|--------------------|----------------------------|
| Housing material | Wemid |
| Flammability class | UL 94 V0 |
| Conductor | Copper (75°C Cu wire only) |

| | |
|------------------|--------|
| Contact material | Copper |
| Contact plating | |

| Current Rating | |
|----------------|---------------|
| UL/CSA | 230 A at 600V |

| Line | |
|-----------------|----------|
| Wire gauge, AWG | 2...4/0 |
| Wire gauge, mm² | 35...120 |
| Number of poles | 1 |

| Load | |
|-----------------|---|
| Wire gauge, AWG | (X2) 14...2/(5) 14...6/(X4) 14...8 |
| Wire gauge, mm² | (X2) 2.5...35/(X5) 2.5...16/(X4) 2.5...10 |
| Number of poles | 11 |

| Operating Specifications | |
|--------------------------|--------|
| Maximum temperature | 120° C |
| Operating range | |
| Storage temperature | |

| Accessories | |
|--|------------|
| SD 1.0x5.5x150 (crosshead screwdriver, Pozidriv type) | 9008350000 |
| SD 0.8x4.5x125 (crosshead screwdriver, Pozidriv type) | 9009020000 |
| SK-S 2.0-8.0 (7-piece hexagon wrench set) | 9008860000 |

| Marking Tags | |
|------------------------|------------|
| LogiMark Strips, blank | 1882890000 |

WPDB 185/35-16-10 1/2-5-4



| | |
|---------------------------|-----------------|
| Type | Part No. |
| WPDB 185/35-16-10 1/2-5-4 | 1939480000 |

| | |
|-----------------------|----------------------------|
| Technical Data | |
| Housing material | Wemid |
| Flammability class | UL 94 V0 |
| Conductor | Copper (75°C Cu wire only) |

| | |
|------------------|--------|
| Contact material | Copper |
| Contact plating | |

| | |
|-----------------------|---------------|
| Current Rating | |
| UL/CSA | 310 A at 600V |

| | |
|-----------------|-----------|
| Line | |
| Wire gauge, AWG | 3/0...350 |
| Wire gauge, mm² | 95...185 |
| Number of poles | 1 |

| | |
|-----------------|---|
| Load | |
| Wire gauge, AWG | (X2) 14...2/(X5) 14...6/(X4) 16...8 |
| Wire gauge, mm² | (X2) 2.5...35/(X5) 2.5...16/(X4) 1.5...10 |
| Number of poles | 11 |

| | |
|---------------------------------|--------|
| Operating Specifications | |
| Maximum temperature | 120° C |
| Operating range | |
| Storage temperature | |

| | |
|---|------------|
| Accessories | |
| SDK PZ1 (crosshead screwdriver, Pozidriv type) | 9008530000 |
| SDK PZ2 (crosshead screwdriver, Pozidriv type) | 9008540000 |
| SK-S 2.0-8.0 (7-piece hexagon wrench set) | 9008860000 |

| | |
|------------------------|------------|
| Marking Tags | |
| LogiMark Strips, blank | 1882890000 |

WPDB 3 x 70/16 1/6



| | |
|--------------------|-----------------|
| Type | Part No. |
| WPDB 3 x 70/16 1/6 | 1939490000 |

| | |
|-----------------------|----------------------------|
| Technical Data | |
| Housing material | Wemid |
| Flammability class | UL 94 V0 |
| Conductor | Copper (75°C Cu wire only) |

| | |
|------------------|--------|
| Contact material | Copper |
| Contact plating | |

| | |
|-----------------------|---------------|
| Current Rating | |
| UL | 115 A at 600V |

| | |
|-----------------|---------|
| Line | |
| Wire gauge, AWG | 6...0 |
| Wire gauge, mm² | 16...70 |
| Number of poles | 3x1 |

| | |
|-----------------|----------|
| Load | |
| Wire gauge, AWG | 14...6 |
| Wire gauge, mm² | 2.5...16 |
| Number of poles | 3x6 |

| | |
|---------------------------------|--------|
| Operating Specifications | |
| Maximum temperature | 120° C |
| Operating range | |
| Storage temperature | |

| | |
|--|------------|
| Accessories | |
| SK-S 2.0-8.0 (7-piece hexagon wrench set) | 9008860000 |

| | |
|------------------------|------------|
| Marking Tags | |
| LogiMark Strips, blank | 1882890000 |

WPDB 35/16/6/N 1/2/5/11



| | |
|-------------------------|-----------------|
| Type | Part No. |
| WPDB 35/16/6/N 1/2/5/11 | 1939510000 |

| | |
|-----------------------|----------------------------|
| Technical Data | |
| Housing material | Wemid |
| Flammability class | UL 94 V0 |
| Conductor | Copper (75°C Cu wire only) |

| | |
|------------------|--------|
| Contact material | Copper |
| Contact plating | |

| | |
|-----------------------|---------------|
| Current Rating | |
| UL | 335 A at 600V |

| | |
|-----------------|---|
| Line | |
| Wire gauge, AWG | (3x1) 10...2/(3x5) 16...10/(3x2) 11...4 |
| Wire gauge, mm² | (3x1) 6...35/(3x5) 1.5...6/(3x2) 4...16 |
| Number of poles | (3x1)/(3x5)/(3x2) |

| | |
|-----------------------|--------------------------------------|
| Load | |
| Wire gauge, kcmil/AWG | (X1) 10...2/(X4) 16...10/(X6) 11...4 |
| Wire gauge, mm² | (X1) 6...35/(X4) 1.5...6/(X6) 4...16 |
| Number of poles | 11 |

| | |
|---------------------------------|--------|
| Operating Specifications | |
| Maximum temperature | 120° C |
| Operating range | |
| Storage temperature | |

| | |
|---|------------|
| Accessories | |
| SDK PZ1 (crosshead screwdriver, Pozidriv type) | 9008530000 |
| SDK PZ2 (crosshead screwdriver, Pozidriv type) | 9008540000 |

| | |
|------------------------|------------|
| Marking Tags | |
| LogiMark Strips, blank | 1882890000 |

Tightening Torque Table

With recommended strip back lengths to maintain IP20 rating

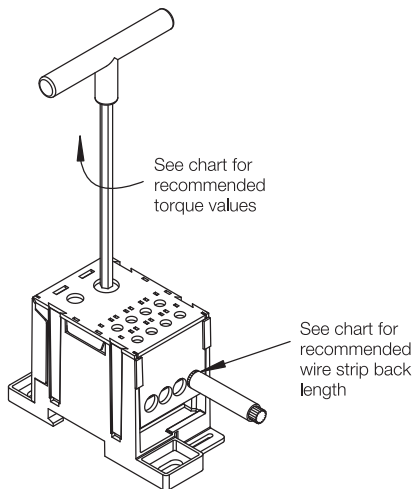
| Part No. | Product Description | Wire Hole Range | Wire Strip Back Length | Hex Driver Size | Wire Size* | Torque** |
|---|---------------------------------------|--|--|-------------------------|---|--------------------------|
| 1879460000 1879470000 | WPDB 70 1-1 AL WPDB 70 1-1 | 2/0...#14 AWG (70...2.5 mm ²) | 0.75 in (19.1 mm) | 5 mm | 2/0...#1 AWG (70...50 mm ²) | 100 lbs-in (11.4 N-m) |
| | | | | | #2...#6 AWG (35...16 mm ²) | 80 lbs-in (9 N-m) |
| | | | | | #8...#14 AWG (10...2.5 mm ²) | 35 lbs-in (3.9 N-m) |
| 1879480000 1879360000 | WPDB 70/35 1-4 AL WPDB 70/35 1-4 | 2/0...#14 AWG (70...2.5 mm ²) | 1 in (25.4 mm) | 5 mm | 2/0...#1 AWG (70...50 mm ²) | 100 lbs-in (11.4 N-m) |
| | | | | | #2...#6 AWG (35...16 mm ²) | 80 lbs-in (9 N-m) |
| | | #2...#14 AWG (35...2.5 mm ²) | 0.625 in (15.9 mm) | 4 mm | #8...#14 AWG (10...2.5 mm ²) | 35 lbs-in (3.9 N-m) |
| | | | | | #2...#6 AWG (35...16 mm ²) | 80 lbs-in (9 N-m) |
| 1879420000 1879430000 | WPDB 185/35 1-8 AL WPDB 185/35 1-8 | 350...#6 AWG (35...2.5 mm ²) | 1.125 in (28.5 mm) | 8 mm | 350 kcmil...3/0 AWG (185...95 mm ²) | 200 lbs-in (22.6 N-m) |
| | | | | | 2/0...#1 AWG (70...50 mm ²) | 100 lbs-in (11.4 N-m) |
| | | | | | #2...#6 AWG (35...16 mm ²) | 80 lbs-in (9 N-m) |
| | | 2/0...#14 AWG (70...2.5 mm ²) | 0.875 in (22.2 mm) | 5 mm | 2/0...#1 AWG (70...50 mm ²) | 100 lbs-in (11.4 N-m) |
| | | | | | #2...#6 AWG (35...16 mm ²) | 80 lbs-in (9 N-m) |
| | | | | | #8...#14 AWG (10...2.5 mm ²) | 35 lbs-in (3.9 N-m) |
| #2...#14 AWG (35...2.5 mm ²) | 0.875 in (22.2 mm) | 4 mm | #2...#6 AWG*** (35...16 mm ²) | 80 lbs-in*** (9 N-m) | | |
| | | | #8...#14 AWG (10...2.5 mm ²) | 35 lbs-in (3.9 N-m) | | |
| 1879400000 1879410000 | WPDB 185 1-1 AL WPDB 185 1-1 | 400...#6 AWG (185...16 mm ²) | 1.3 in (33 mm) | 10 mm | 400 kcmil...00 AWG (185...70 mm ²) | 220 lbs-in (24.9 N-m) |
| | | | | | 0...#2 AWG (50...35 mm ²) | 170 lbs-in (19.2 N-m) |
| | | | | | #3...#6 AWG (25...16 mm ²) | 130 lbs-in (14.7 N-m) |
| 1879440000 1879450000 | WPDB 300 2-2 AL WPDB 300 2-2 | 600...#4 AWG (300...25 mm ²) | 1.3 in (33 mm) | 10 mm | 600...500 kcmil AWG (300...240 mm ²) | 310 lbs-in (35.1 N-m) |
| | | | | | 400 kcmil...00 AWG (185...70 mm ²) | 220 lbs-in (24.9 N-m) |
| | | | | | 0...#2 AWG (50...35 mm ²) | 170 lbs-in (19.2 N-m) |
| | | | | | #3...#4 AWG (25 mm ²) | 130 lbs-in (14.7 N-m) |

*Wire sizes based on AWG/kcmil standards with closest commercially available mm size.

**Torque values -0, +10%.

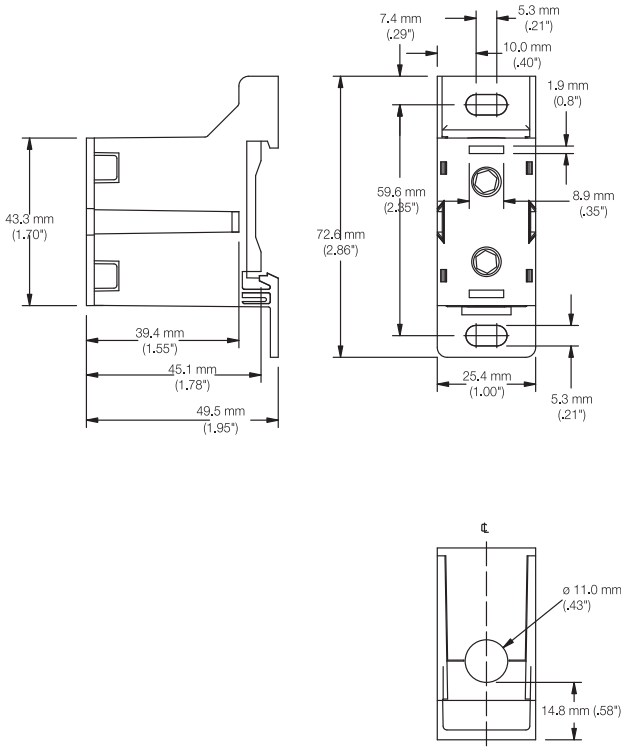
***Applies only to part number 1879420000 WPDB 185/35 1-8 AL.

| Part No. | Product Description | Wire Size | Wire Strip Back Length | Pozidriv Screwdriver Size | Torque |
|------------|------------------------------|--|--------------------------------|---------------------------|-------------------------------------|
| 1939440000 | WPDB 16/6 3/4 | 6...14 AWG (16...2.5 mm ²) | .47...35 in (12...9 mm) | PZ1 | 13.3...26.6 lbs-in (1.5...3 Nm) |
| | | 10...14 AWG (6...2.5 mm ²) | .71...47 in (18...12 mm) | PZ2 | 7.1...13.3 lbs-in (0.8...1.5 Nm) |
| 1939450000 | WPDB 35-16/16 1-16 | 6...14 AWG (16...2.5 mm ²) | .71...47 in (18...12 mm) | PZ2 | 7.1...13.3 lbs-in (0.8...1.5 Nm) |
| | | 6...10 AWG (16...6 mm ²) | .47...39 in (12...10 mm) | M4 | 31...44.3 lbs-in (3.5...5 Nm) |
| | | 2...8 AWG (35...10 mm ²) | .59...55 in (15...14 mm) | M4 | 31...44.3 lbs-in (3.5...5 Nm) |
| 1939460000 | WPDB 70/16 1/10 | 6...14 AWG (16...2.5 mm ²) | .71...47 in (18...12 mm) | PZ2 | 7.1...13.3 lbs-in (0.8...1.5 Nm) |
| | | 0...6 AWG (70...16) | .63...59 in (16...15 mm) | M5 | 44.3 lbs-in (5 Nm) |
| 1939470000 | WPDB 120/35-16-10 1/2-5-4 | 4/0...2 AWG (120...35 mm ²) | 1.41...1.06 in (29...27 mm) | M6 | 168.2 lbs-in (19 Nm) |
| | | 8...14 AWG (10...2.5 mm ²) | .47...39 in (12...10 mm) | SD 0.8x4.5x125 | 17.7 lbs-in (2 Nm) |
| | | 6...14 AWG (16...2.5 mm ²) | .47...39 in (12...10 mm) | SD 0.8x4.5x125 | 17.7 lbs-in (2 Nm) |
| | | 2...14 AWG (35...2.5 mm ²) | .47...39 in (12...10 mm) | SD 1.0x5.5x150 | 31 lbs-in (3.5 Nm) |
| 1939480000 | WPDB 185/35-16-10 1/2-5-4 | 3/0...350 AWG (185...95 mm ²) | 1.41...1.06 in (29...27 mm) | M6 | 168.2 lbs-in (19 Nm) |
| | | 8...16 AWG (10...1.5 mm ²) | .47...39 in (12...10 mm) | SD 0.8x4.5x125 | 17.7 lbs-in (2 Nm) |
| | | 6...14 AWG (16...2.5 mm ²) | .47...39 in (12...10 mm) | SD 0.8x4.5x125 | 17.7 lbs-in (2 Nm) |
| | | 2...14 AWG (35...2.5 mm ²) | .47...39 in (12...10 mm) | SD 1.0x5.5x150 | 31 lbs-in (3.5 Nm) |
| 1939490000 | WPDB 3 x 70/16 1/6 | 0...4 AWG (70...16 mm ²) | .63...59 in (16...15 mm) | M5 | 44.3 lbs-in (5 Nm) |
| | | 6...14 AWG (16...2.5 mm ²) | .47...39 in (12...10 mm) | M3 | 26.6 lbs-in (3 Nm) |
| 1939510000 | WPDB 35/16/6/N 1/2/5/11 | 10...16 AWG (6...1.5 mm ²) | .47...35 in (12...9 mm) | PZ1 | 7.1 lbs-in (0.8 Nm) |
| | | 4...11 AWG (16...4 mm ²) | .71...47 in (18...12 mm) | PZ2 | 13.3 lbs-in (1.5 Nm) |
| | | 2...10 AWG (35...6 mm ²) | .71...47 in (18...12 mm) | PZ2 | 13.3 lbs-in (1.5 Nm) |

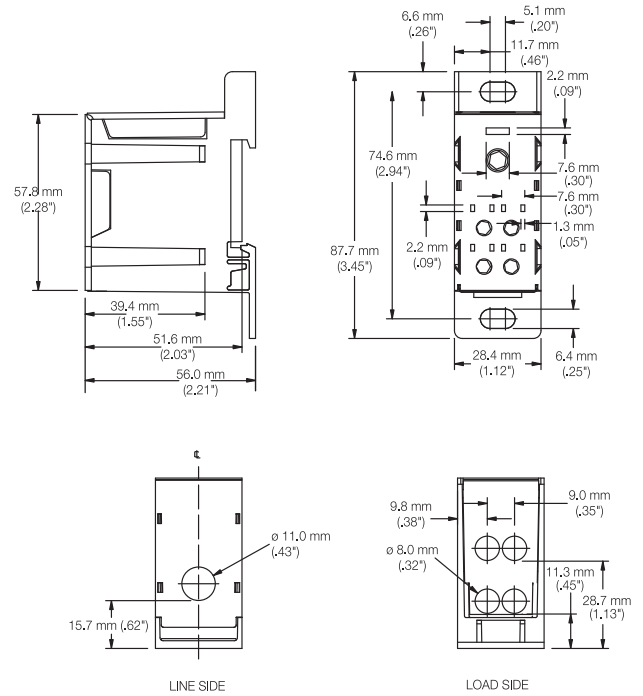


Housing Dimensions

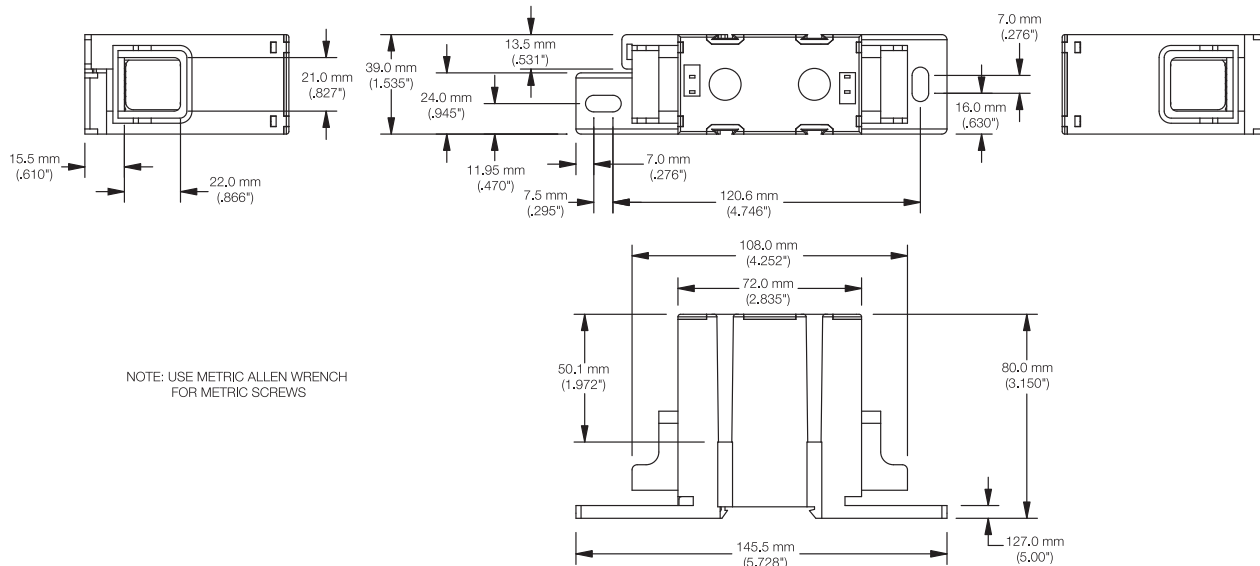
WPDB 70 1-1
WPDB 70 1-1 AL



WPDB 70/35 1-4
WPDB 70/35 1-4 AL

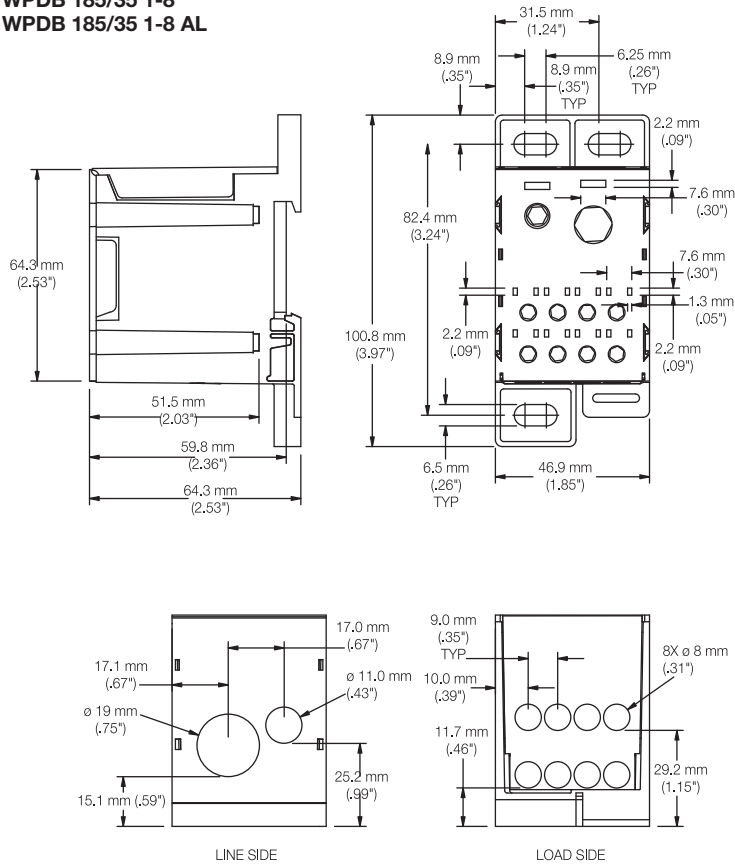


WPDB 185 1-1
WPDB 185 1-1 AL

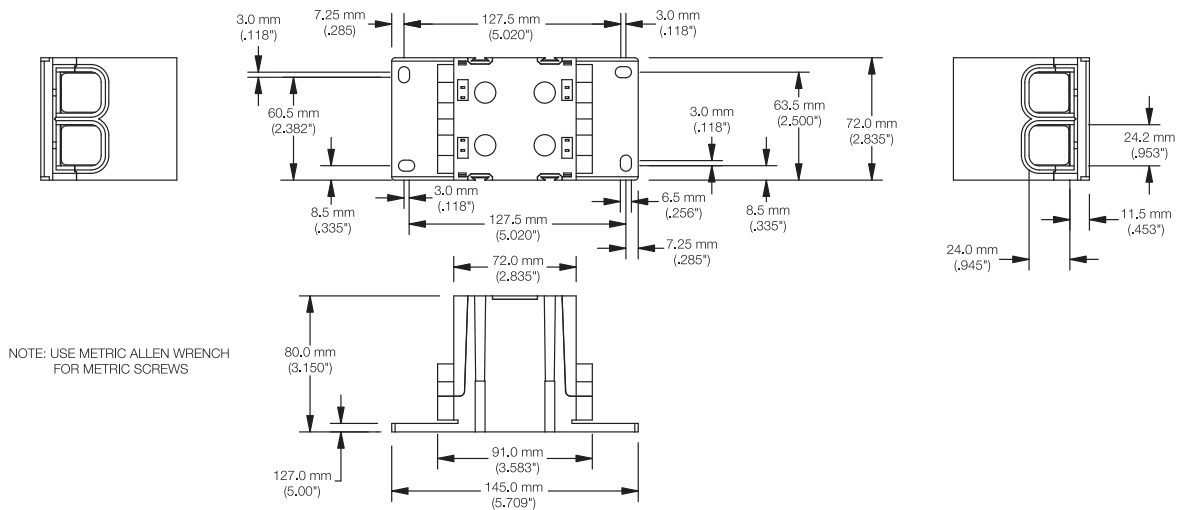


Housing Dimensions

WPDB 185/35 1-8
 WPDB 185/35 1-8 AL

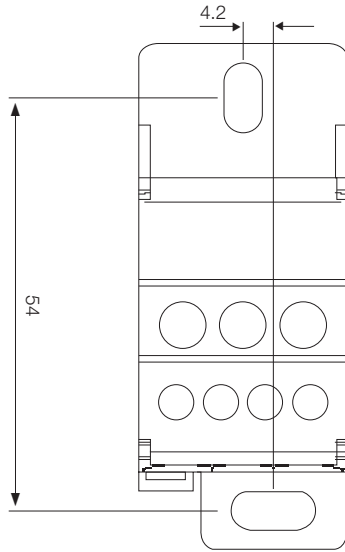


WPDB 300 2-2
 WPDB 300 2-2 AL

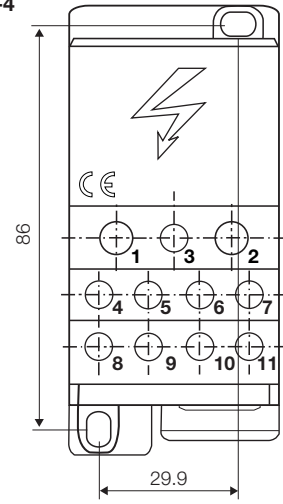


Housing Dimensions

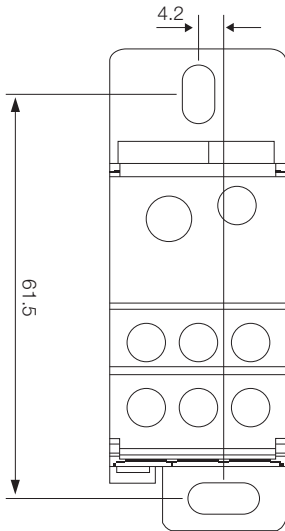
WPDB 16/6 3/4



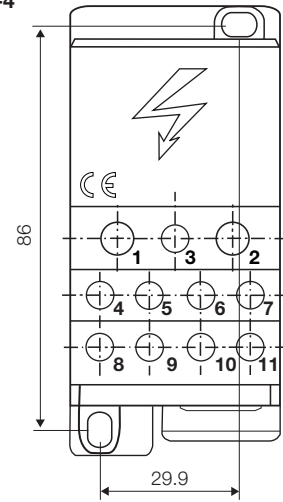
WPDB 120/35-16-10 1/2-5-4



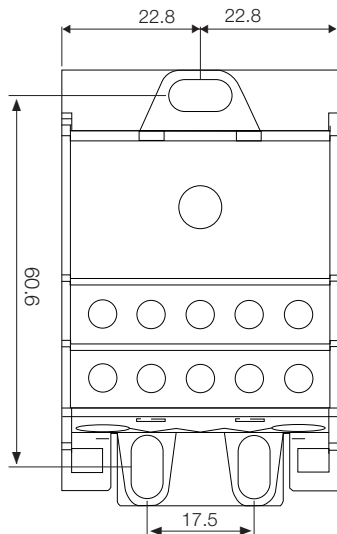
WPDB 35-16/16 1-16



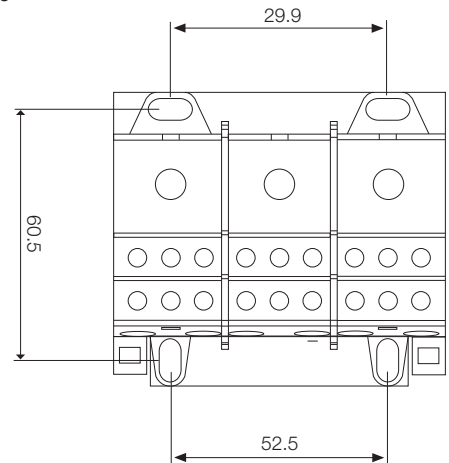
WPDB 185/35-16-10 1/2-5-4



WPDB 70/16 1/10

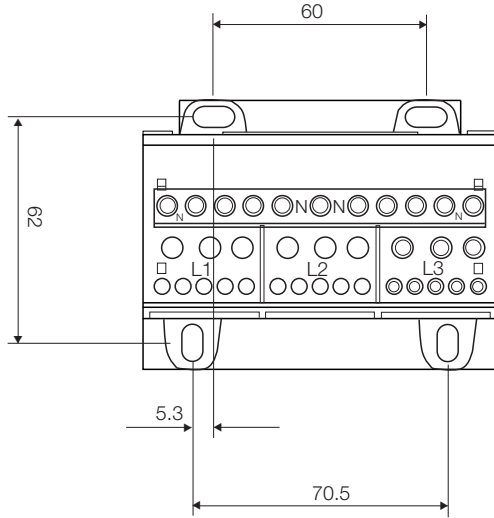


WPDB 3 x 70/16 1/6



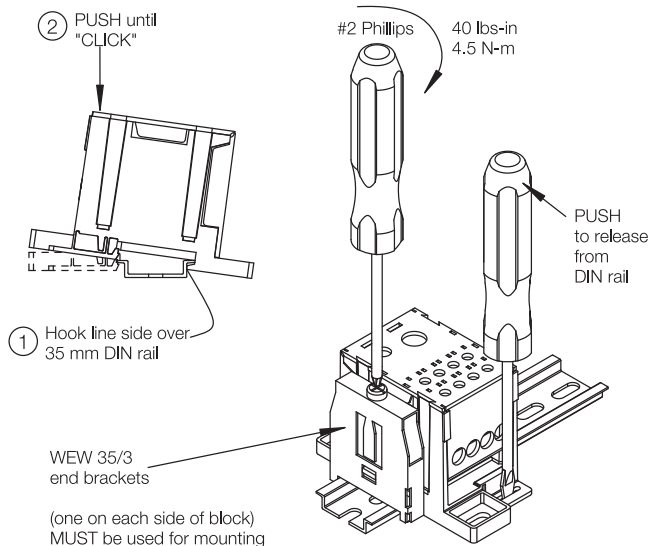
Housing Dimensions

WPDB 35/16/6/N 1/2/5/11



Mounting Instructions

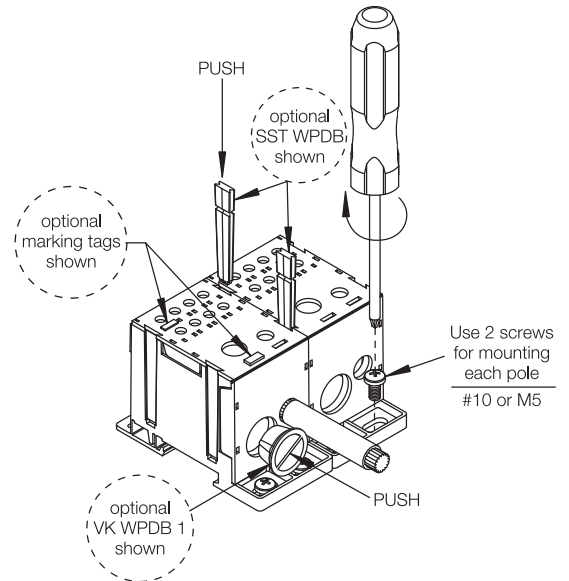
DIN Rail Mounting



WEW 35/3 end brackets (one on each side of block) MUST be used for mounting single pole WPDBs to prevent damage to the block while tightening terminals.

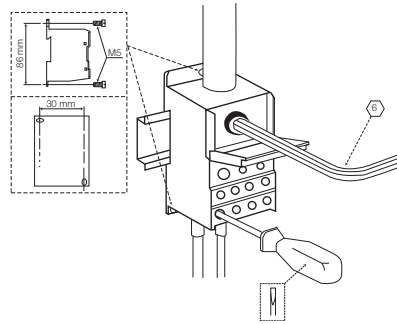
WEW 35/3 end brackets recommended for all WPDB on DIN rails

Panel Mounting

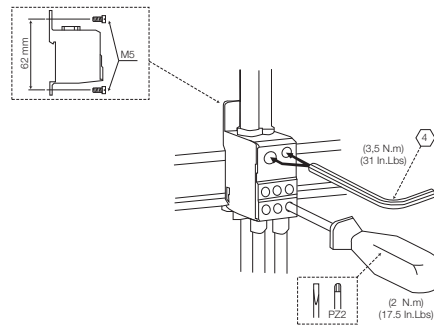


Assembly instructions

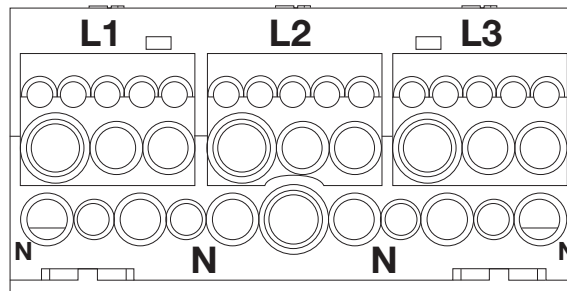
**WPDB 120/35-16-10 1/2-5-4 and
WPDB 185/35-16-10 1/2-5-4**



WPDB 35-16/16 1-16



WPDB 35/16/6/N 1/2/5/11



WPDB 3x70/16 1/6

