

# SPECIFICATIONS

(RoHS Compliant)

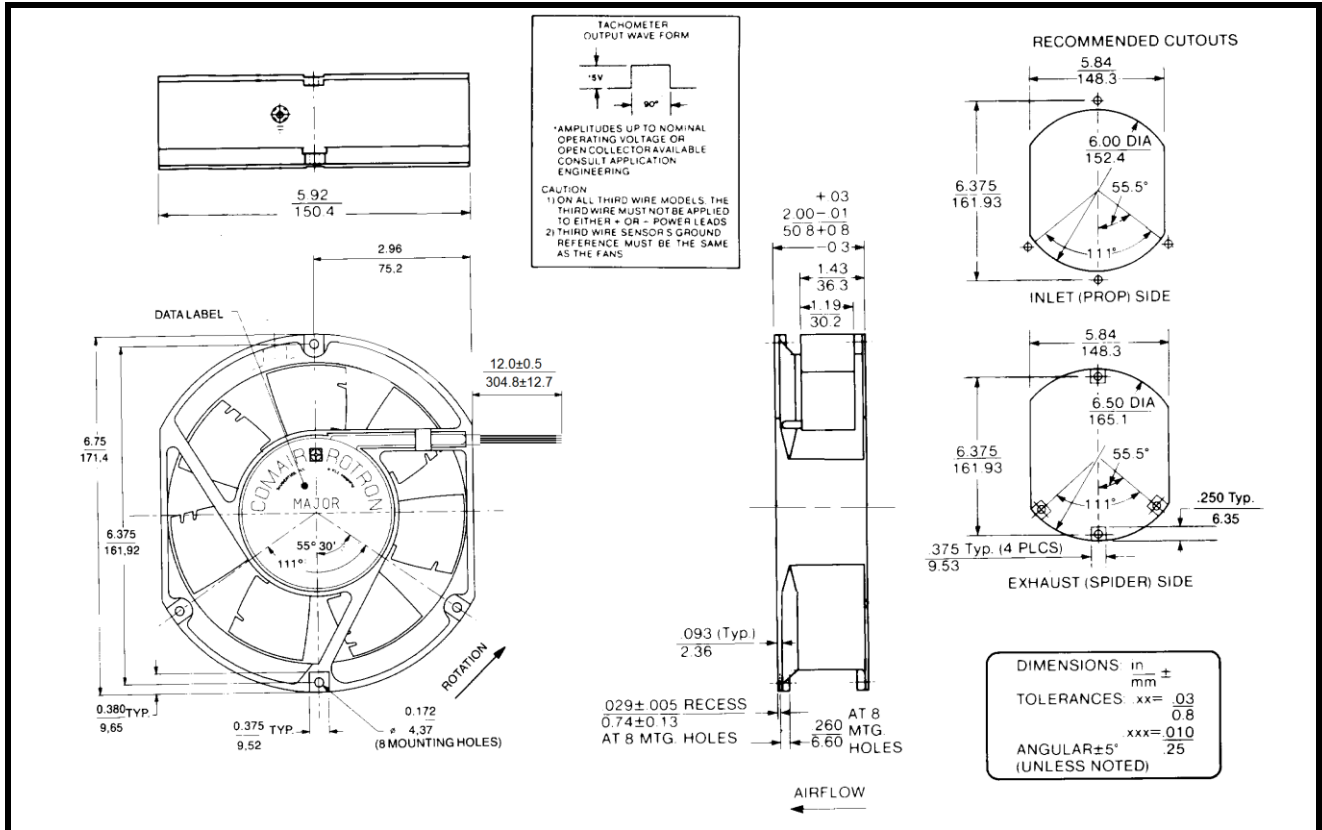


Model Number: JQD24C3E6

Part Number: 19005460A

July 5, 2012

## Mechanical Drawing:



### Motor:

Nominal Voltage	= 24 vdc
Operating Voltage Range	= 16 - 32 vdc
Nominal Running Current	= 0.60 amps
Locked Rotor Current	= 1.00 amps
Running Power	= 14.4 watts
Average Speed	= 3000 rpm
Bearings	= Ball
Air Flow at Full Speed	= 200 cfm
Acoustics at Full Speed	= 50.8dBA

### Construction:

Venturi:	Die-cast aluminum, Black
Propeller:	Plastic, Black, UL 94V-0

### Agency Approvals:

UL

### Life Expectancy:

This fan is designed for continuous duty life of 75,000 hours at 40°C

### Additional Features:

Brushless DC Motor  
Polarity Protected  
Locked Rotor Protection  
Automatic Restart Capability  
Operating Temperature: -10°C to 70°C  
Storage Temperature: -40°C to 85°C

### Tachometer:

Output:	Open Collector
I <sub>c</sub> :	20mA Max
V <sub>cc</sub> :	32vdc Max
Pulse per Revolution:	2
Isolated:	No

### Speed Control:

PWM: 100 ~ 20 KHz, 2.8 ~ 20 V TTL  
<5% Duty: Off  
5%~95% Duty: Linear Ramp  
>95% Duty or Open Lead Wire: Full Speed

### Termination:

12" Lead wires, AWG 22, UL 1061  
Red - Power (+)  
Black - Return (-)  
Blue/White - Tachometer (Output)  
Yellow - Program (Input)