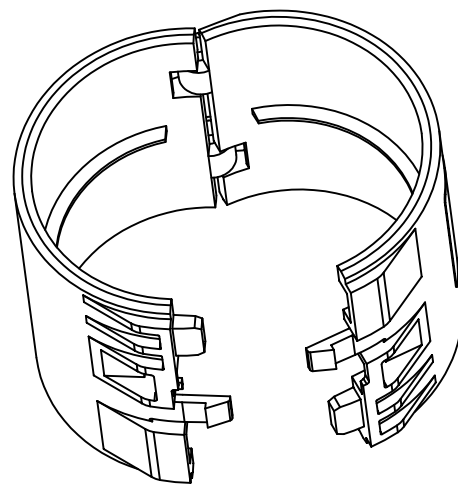
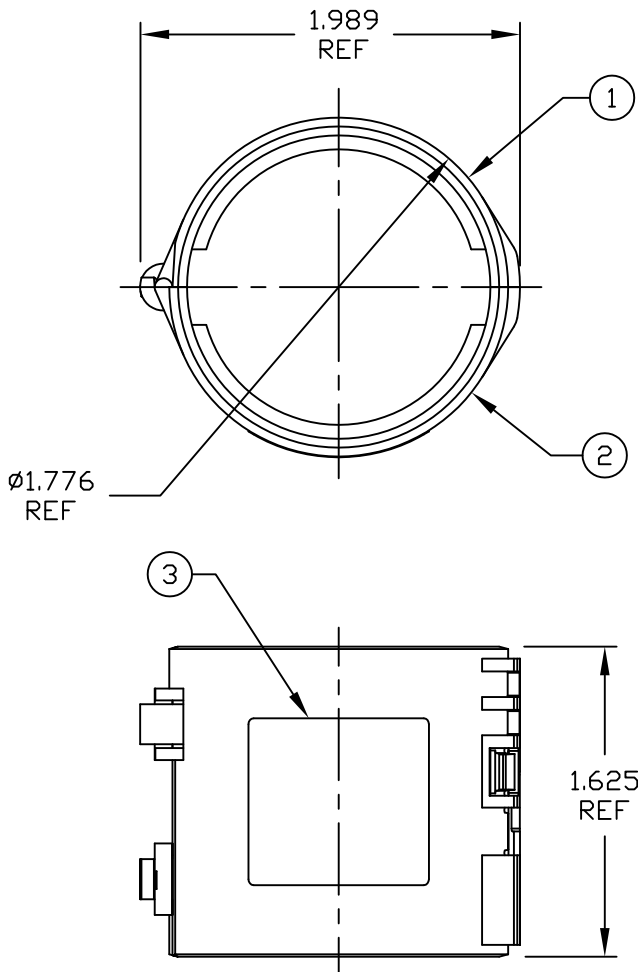


PART NUMBER	ENGINEERING NUMBER
1300700020	66200A-10

\*

\* THIS PART NUMBER REPRESENTS A BAG OF 10



NOTE:

- 1) SPECIFICATIONS:  
QC LOCKING CLIPS  
TEMPERATURE RANGE: -20°C TO 90°C
- 2) PACKAGING:  
ASSEMBLIES ARE BAGGED 10 PER POLY BAGS WITH BAR CODE LABEL ATTACHED TO THE OUTSIDE OF THE BAG.
- 3) ASSEMBLY IS RoHS COMPLIANT

ITEM	QTY	DESCRIPTION	MATERIAL	FINISH
3	1	WARNING LABEL	POLYESTER	BLACK/YELLOW
2	1	QC LOCKING CLIP BOTTOM	ABS/PC	BLACK
1	1	QC LOCKING CLIP TOP	ABS/PC	BLACK

ADD QTY NOTE EC NO: WNA2011-0144 DRWN: VOU CH'KD: TWOLDEGE APPR: JFMURPHY 2010/09/17	9/9/10 DESCRIPTION REV	QUALITY SYMBOLS	GENERAL TOLERANCES (UNLESS SPECIFIED) <table border="1"> <tr> <td></td> <td>mm</td> <td>INCH</td> </tr> <tr> <td>4 PLACES</td> <td>±---</td> <td>±---</td> </tr> <tr> <td>3 PLACES</td> <td>±---</td> <td>±.005</td> </tr> <tr> <td>2 PLACES</td> <td>±0.13</td> <td>±.010</td> </tr> <tr> <td>1 PLACE</td> <td>±0.25</td> <td>±.020</td> </tr> </table>		mm	INCH	4 PLACES	±---	±---	3 PLACES	±---	±.005	2 PLACES	±0.13	±.010	1 PLACE	±0.25	±.020	DIMENSION STYLE	SCALE	DESIGN UNITS	THIRD ANGLE PROJECTION
				mm	INCH																	
		4 PLACES		±---	±---																	
		3 PLACES		±---	±.005																	
2 PLACES	±0.13	±.010																				
1 PLACE	±0.25	±.020																				
$\nabla=0$ $\triangle=0$	-- DRAWN BY: KJOZWIK DATE: 2010/01/18	1:1	INCH	TITLE																		
DRAFT WHERE APPLICABLE MUST REMAIN WITHIN DIMENSIONS	APPROVED BY: JFMURPHY DATE: 2010/01/20	BRAD POWER QC LOCKING CLIP		MOLEX INCORPORATED																		
SEE TABLE	MATERIAL NO. DOCUMENT NO. SD-130070-003	SHEET NO. 1 OF 1																				
		SIZE B	THIS DRAWING CONTAINS INFORMATION THAT IS PROPRIETARY TO MOLEX INCORPORATED AND SHOULD NOT BE USED WITHOUT WRITTEN PERMISSION																			