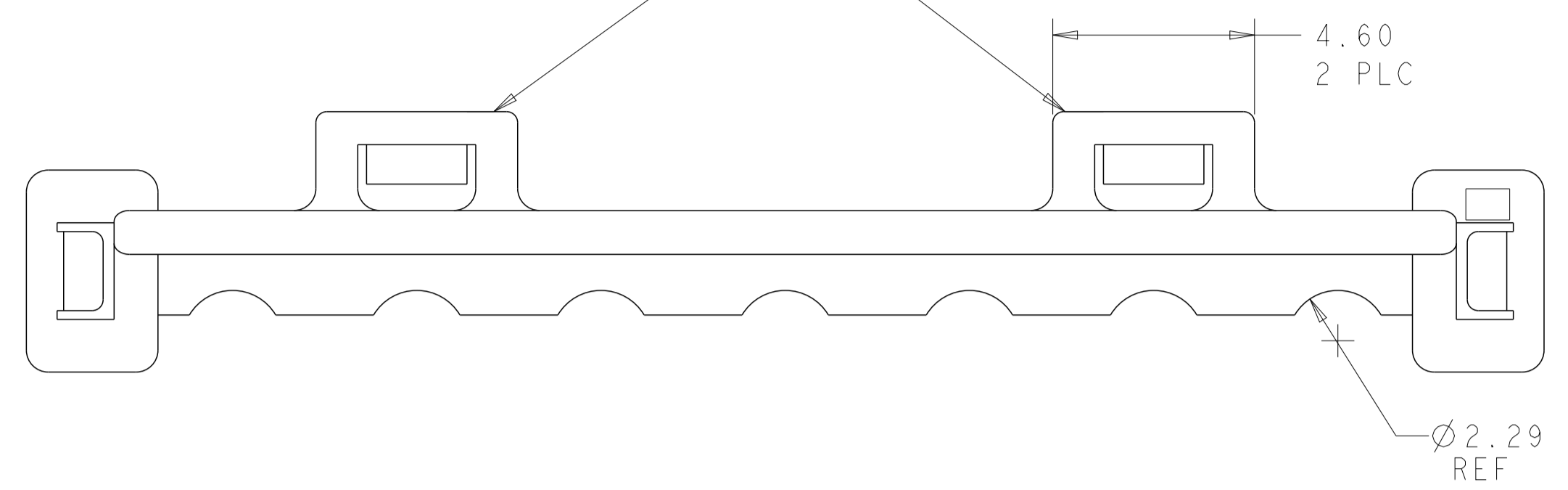
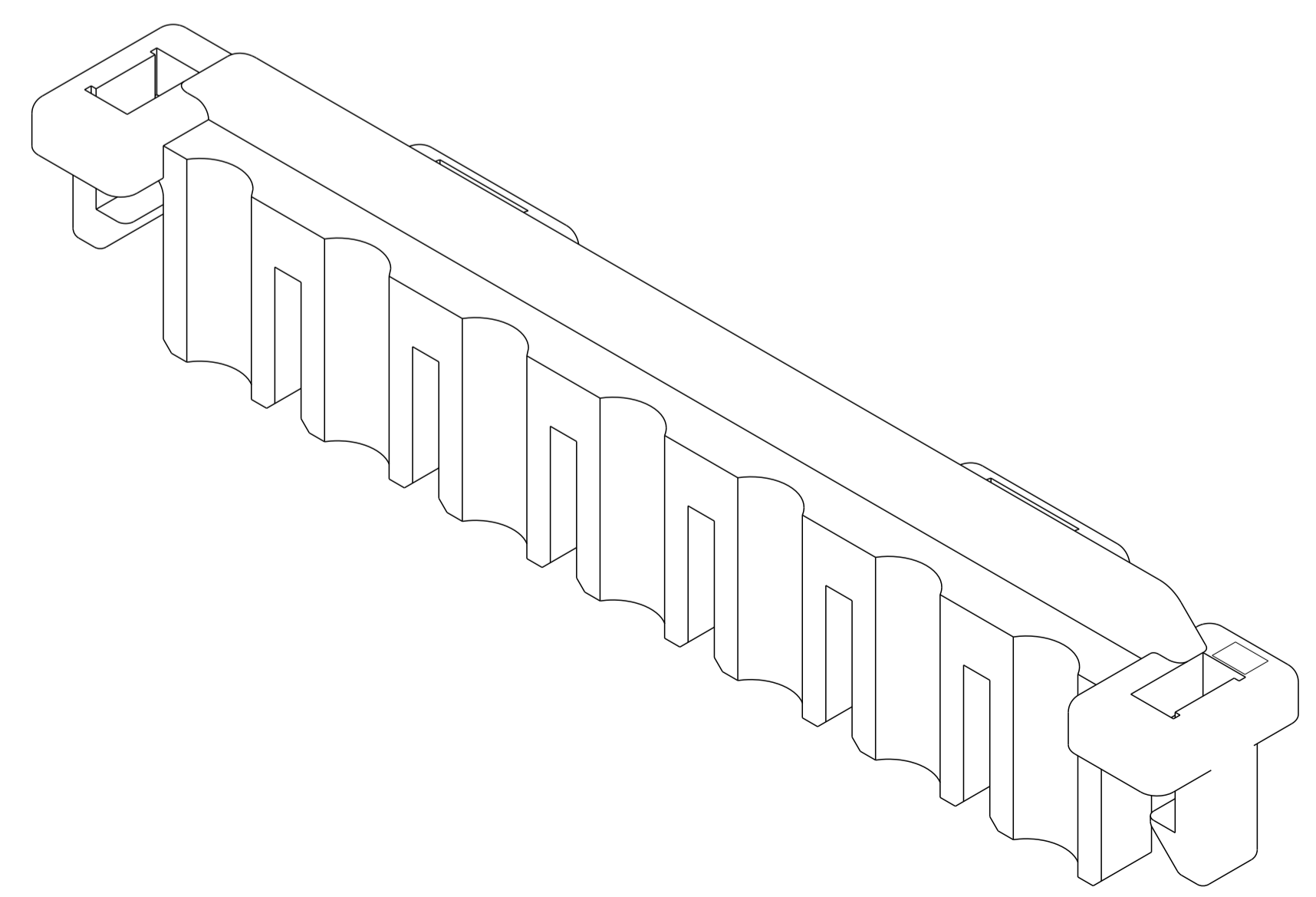
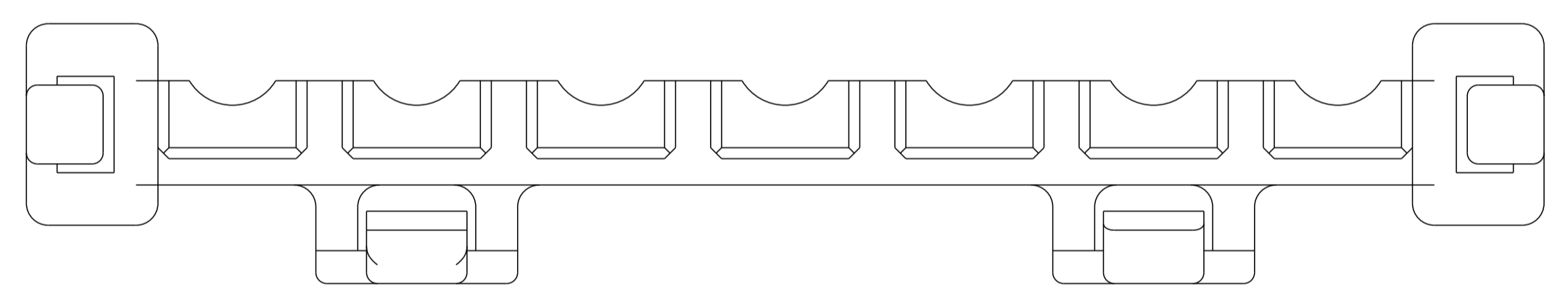
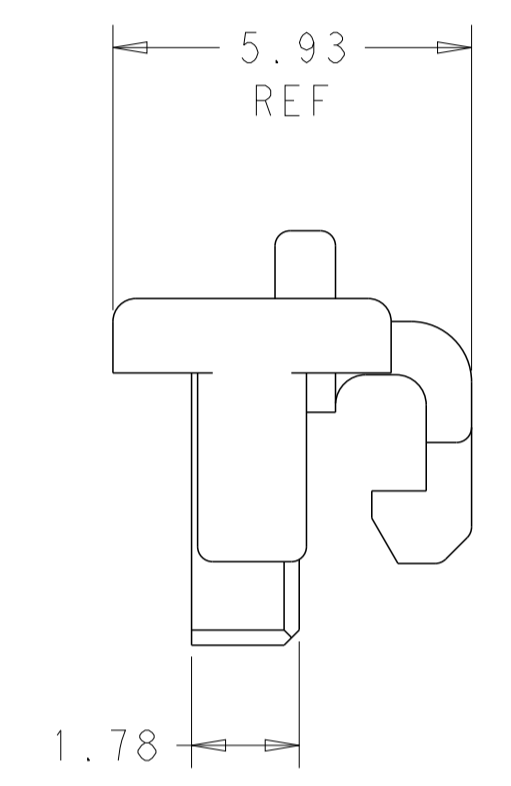
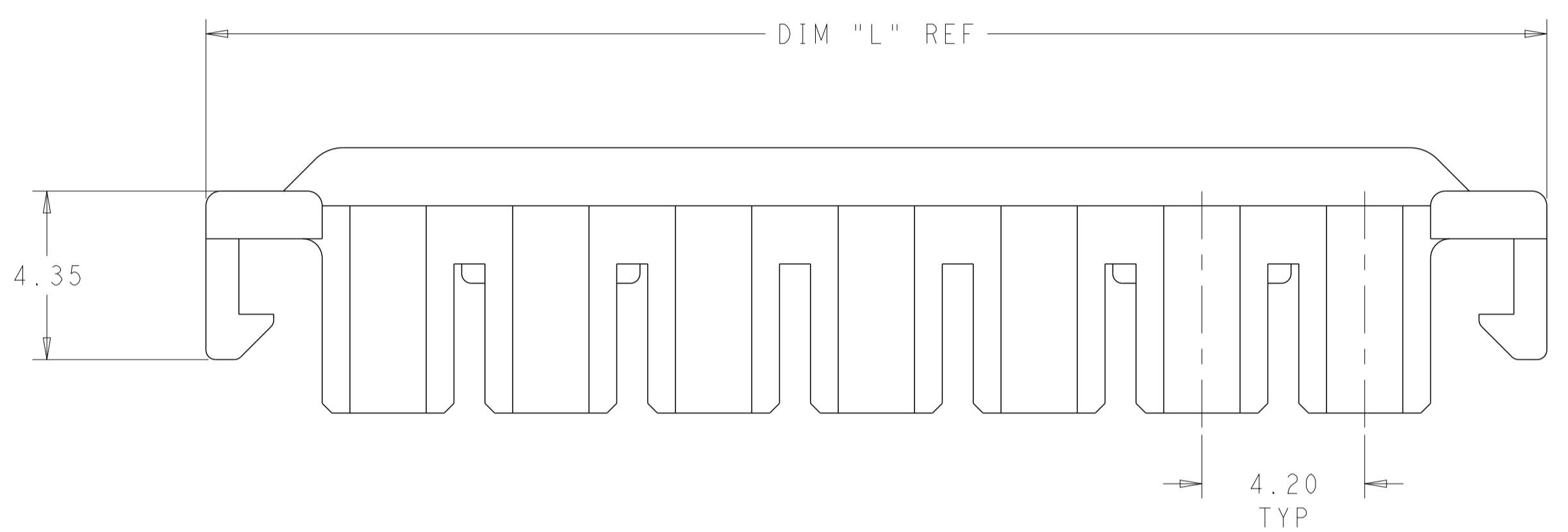


LOC		DIST		REVISIONS			
P	LTN	DESCRIPTION	DATE	DWN	APVD		
A1		REVISED PER ECR-14-008483	11JUN2014	NK	JR		

TOP LATCHES NOT PRESENT FOR POSITIONS 1-5



1. USE WITH VAL-U-LOK HOUSINGS.
2. FOR USE WITH #26-#22 AWG LEAD WIRE WITH INSULATION DIA 2.03-2.16MM AND INSULATION CRIMP HEIGHT OF 2.54 MIN.
3. SIDE LATCHES ONLY, NO TOP LATCHES FOR POSITIONS 1-5



1969609-7 SHOWN HERE

55.60	12	1-1969609-2
51.40	11	1-1969609-1
47.20	10	1-1969609-0
43.00	9	1969609-9
38.80	8	1969609-8
34.60	7	1969609-7
30.40	6	1969609-6
26.20	5	1969609-5
22.00	4	1969609-4
17.80	3	1969609-3
13.60	2	1969609-2
9.40	1	1969609-1
DIM L	# OF POS	PART NO.

THIS DRAWING IS A CONTROLLED DOCUMENT. DWN S. EDWARDS 08JAN2013  
 CHK KURT RANDOLH 08JAN13  
 APVD KURT RANDOLH 08JAN13

**TE** TE Connectivity

NAME: HOUSING, TPA, VAL-U-LOK

PRODUCT SPEC: -  
 APPLICATION SPEC: -

MATERIAL: NYLON 6/6 COLOR: RED  
 FINISH: -

WEIGHT: -  
 Customer Drawing

SIZE: A1 CAGE CODE: 100779 DRAWING NO: 1969609 RESTRICTED TO: -  
 SCALE: 8:1 SHEET 1 OF 1 REV: A1

# Mouser Electronics

Authorized Distributor

Click to View Pricing, Inventory, Delivery & Lifecycle Information:

[TE Connectivity:](#)

[1969609-1](#)