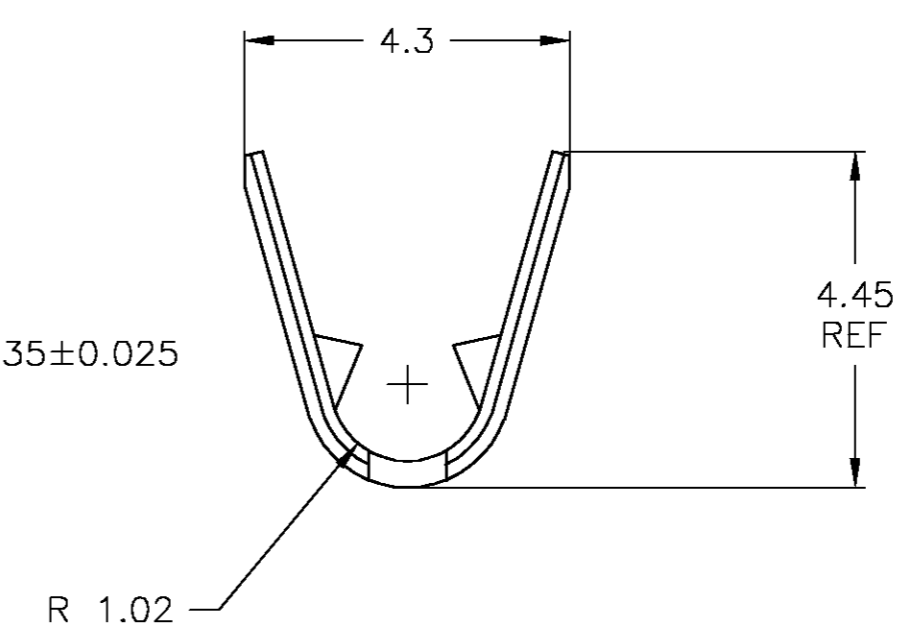
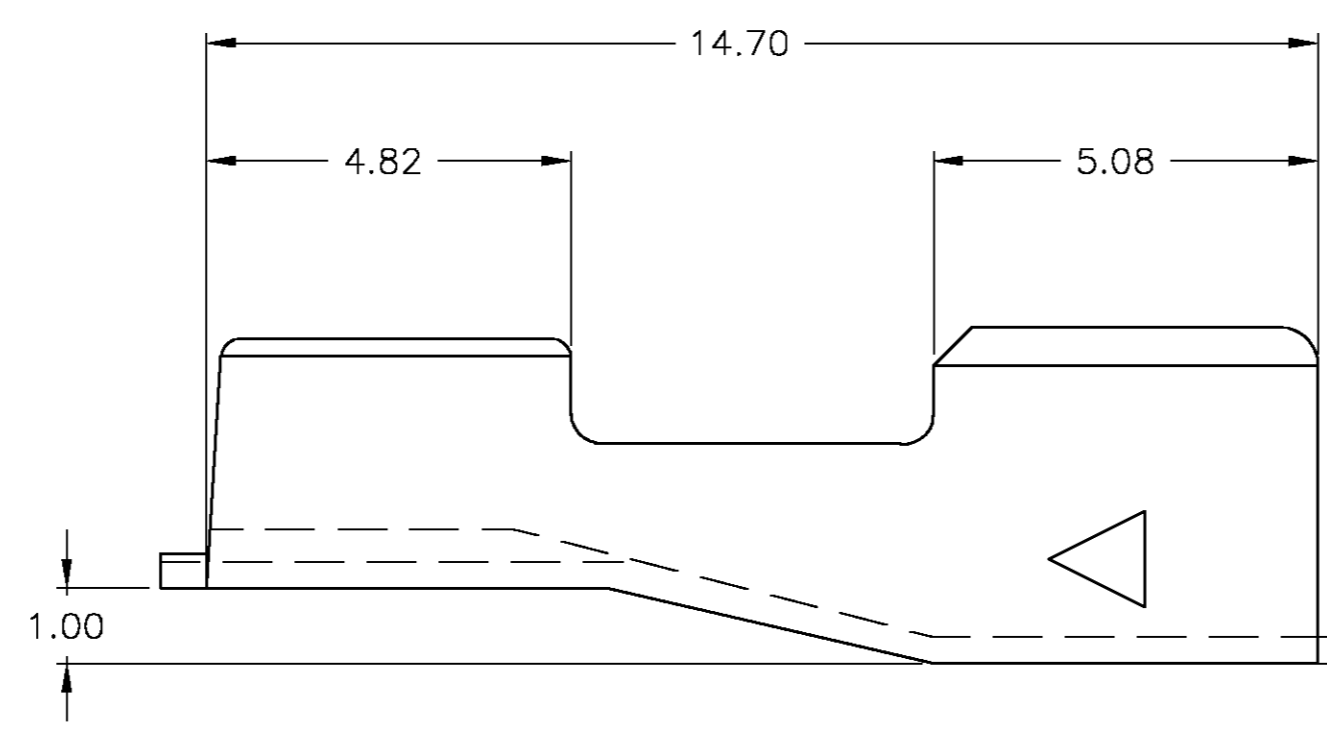
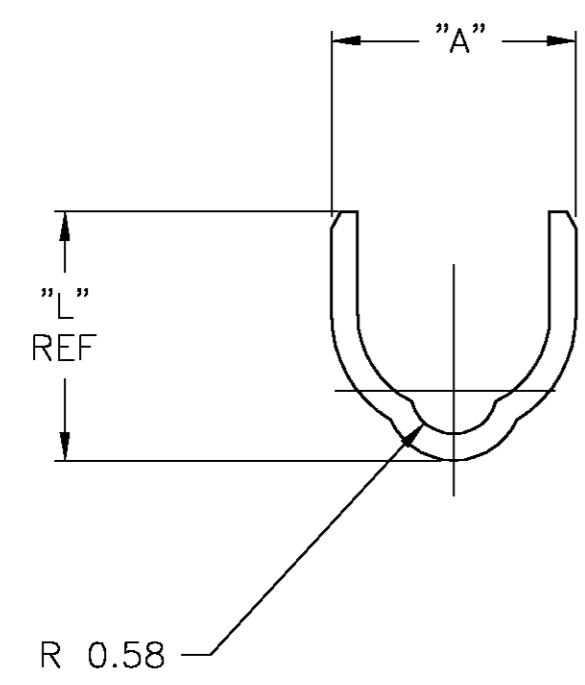
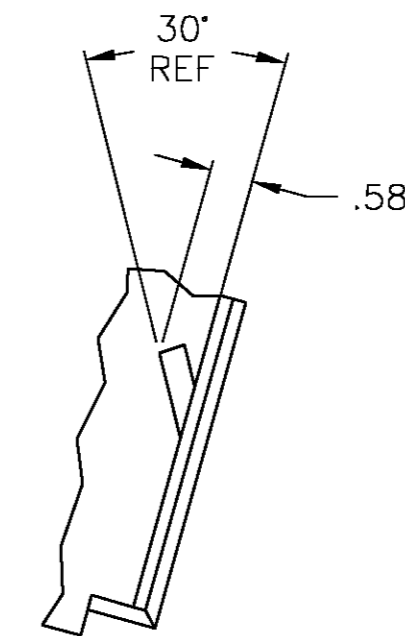
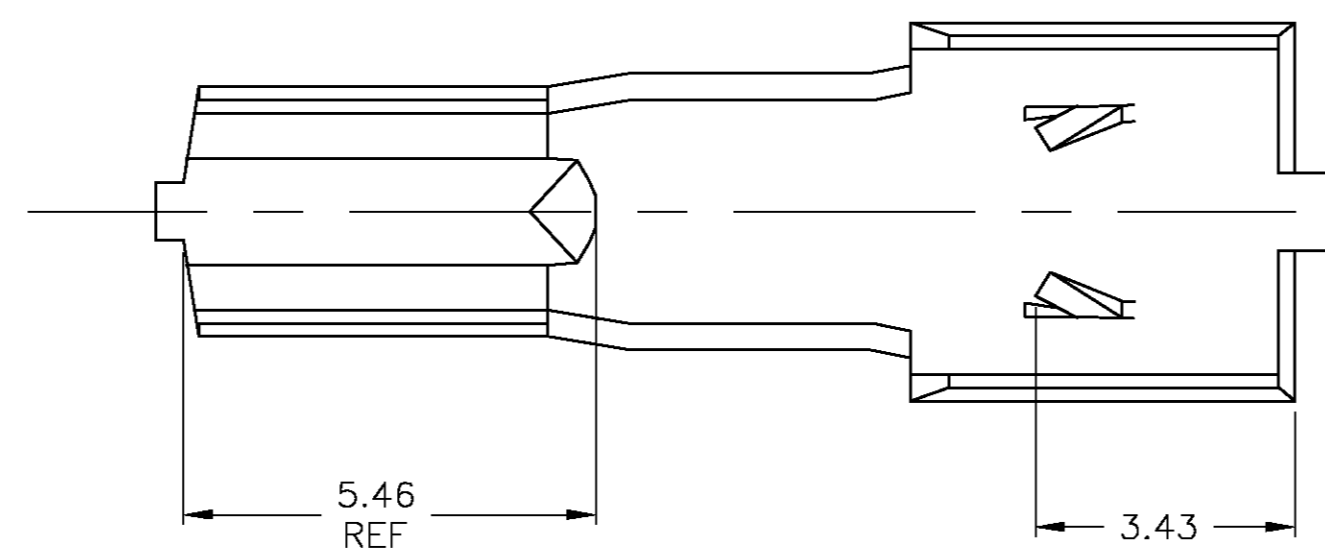


THIS DRAWING IS UNPUBLISHED. RELEASED FOR PUBLICATION  
 © COPYRIGHT BY TYCO ELECTRONICS CORPORATION. ALL RIGHTS RESERVED.

LOC	DIST	REVISIONS			
P	LTR	DESCRIPTION	DATE	DWN	APVD
AF	50	E	REV PER 0G3A-0696-03	04NOV03	JR GP

- 1 INSULATED HEATER WIRE: #18-16 AWG.  
HEATER WIRE CORE DIA: 1.02 MAX
- 2 REF CRIMP INFO: WIRE BBL .090, F TYPE  
INSULATION BBL .120, F TYPE
- ③ TRAVERSE WINDING ON METAL REEL.
- ④ IN-LINE WINDING ON A CARDBOARD REEL



PCS/REEL	*L*	*A*	NOTES	STD. WIRE SIZE	FINISH	PART NO.
5,000	4.44	3.8	④	#14-12 AWG	-	1438246-5
5,000	3.18	3.3	④	#18-16 AWG	-	1438246-4
7,500	4.44	3.8	③	#14-12 AWG	-	1438246-3
5,000	3.18	3.3	④	#18-16 AWG	PRE-TIN	1438246-2
12,500	3.18	3.3	③	#18-16 AWG	-	1438246-1

THIS DRAWING IS A CONTROLLED DOCUMENT.

DWN JR RUTH 21MAY2002	 Tyco Electronics Corporation Harrisburg, PA 17105	SIZE	CAGE CODE	DRAWING NO	RESTRICTED TO
CHK G PORTA 21MAY02		A2	00779	C=1438246	-
APVD G PORTA 21MAY02		SCALE	SHEET	OF	REV
PRODUCT SPEC		10:1	1	1	E
APPLICATION SPEC	CUSTOMER DRAWING				

MATERIAL: O81M BRASS  
 FINISH: SEE TABLE  
 DIMENSIONS: MM  
 TOLERANCES UNLESS OTHERWISE SPECIFIED:  
 0 PLC ± -  
 1 PLC ± -  
 2 PLC ± 0.35  
 3 PLC ± -  
 4 PLC ± -  
 ANGLES ± -