

**General Specifications**

Motor Structure: Shaded Pole Induction Motor  
 Motor Protection: Impedance Protection  
 Insulation Resistance:  
 10M Ω or over with a DC500V Megger  
 Dielectric Withstand Voltage: AC 700V 1s  
 Allowable Ambient Temperature Range:  
 -10°C ~ +70°C (Operating)  
 -40°C ~ +70°C (Storage)

**Expected Life**

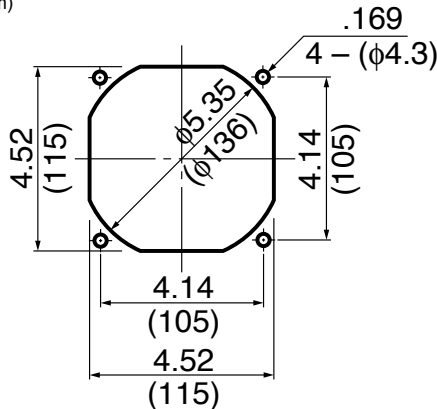
Failure Rate: 10%  
 25°C 50,000 Hours

**Material**

Casing : Aluminum  
 Impeller : Polycarbonate (Glass Fiber-Containing)  
 Bearing : Ball Bearing  
 Terminal : Faston #110 or equivalent

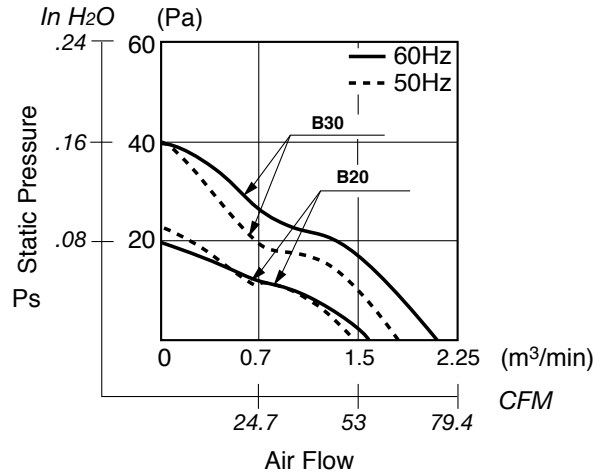
**Panel Cut-Outs**

Units:  $\frac{\text{inch}}{\text{mm}}$

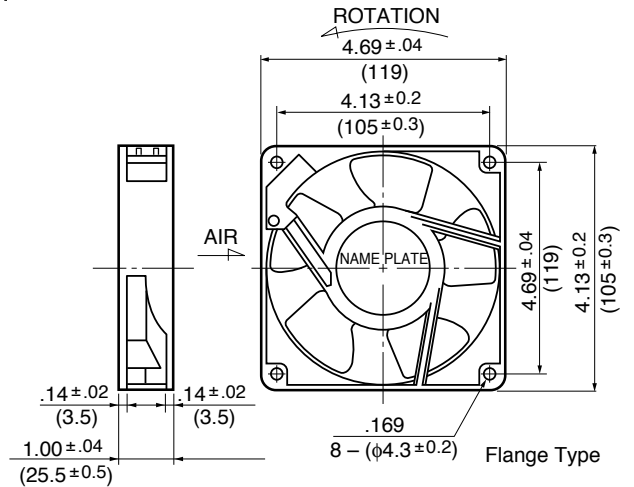


INLET SIDE / OUTLET SIDE

**Characteristic Curves**



**Outline**



## Specifications

MODEL	Rated Voltage	Frequency	Starting Voltage	Current	Input Power	Speed	Max. Air Flow		Max. Static Pressure		Noise	Mass
	(V)	(Hz)	(V)	(A) <sup>1</sup>	(W) <sup>+10% -20%</sup>	(min <sup>-1</sup> ) <sup>3</sup>	CFM	(m <sup>3</sup> /min) <sup>3</sup>	in H <sub>2</sub> O	(Pa) <sup>3</sup>	(dB) <sup>2</sup>	(g)
** 4710PS-10T-B30-B00	100	50	65	0.220	14.0	2300	63.5	1.80	.16	41.1	34.0	360
	100	60	65	0.180	11.0	2700	70.6	2.00	.16	41.1	38.0	360
4710PS-12T-B30-A00	115	50	75	0.190	14.0	2300	63.5	1.80	.16	41.1	34.0	360
	115	60	75	0.160	11.0	2700	70.6	2.00	.16	41.1	38.0	360
** 4710PS-20T-B30-B00	200	50	130	0.110	14.0	2300	63.5	1.80	.16	41.1	34.0	360
	200	60	130	0.090	11.0	2700	70.6	2.00	.16	41.1	38.0	360
** 4710PS-22T-B30-B00	220	50	175	0.100	14.0	2300	63.5	1.80	.16	41.1	34.0	360
	220	60	175	0.080	11.0	2700	70.6	2.00	.16	41.1	38.0	360
4710PS-23T-B30-A00	230	50	175	0.100	14.0	2300	63.5	1.80	.16	41.1	34.0	360
	230	60	175	0.090	11.0	2700	70.6	2.00	.16	41.1	38.0	360
** 4710PS-24T-B30-A00	240	50	130	0.100	15.0	2300	60.0	1.70	.16	41.1	34.0	360
	240	60	130	0.080	13.0	2700	70.6	2.00	.16	41.1	38.0	360
** 4710PS-10T-B20-B00	100	50	65	0.120	8.0	1900	49.4	1.40	.08	19.6	29.0	360
	100	60	65	0.100	7.0	2100	53.0	1.50	.086	21.5	30.0	360
4710PS-12T-B20-A00	115	50	75	0.100	8.0	1900	49.4	1.40	.09	23.5	29.0	360
	115	60	75	0.090	7.0	2000	53.0	1.50	.08	21.5	30.0	360
** 4710PS-20T-B20-B00	200	50	130	0.070	9.0	1900	45.9	1.30	.08	19.6	29.0	360
	200	60	160	0.060	8.0	2000	53.0	1.50	.086	21.5	30.0	360
** 4710PS-22T-B20-B00	220	50	175	0.060	9.0	1900	49.4	1.40	.08	19.6	29.0	360
	220	60	175	0.050	8.0	2100	53.0	1.50	.086	21.5	30.0	360
** 4710PS-23T-B20-A00	230	50	175	0.060	9.0	1900	49.4	1.40	.09	23.5	29.0	360
	230	60	175	0.050	8.0	2100	53.0	1.50	.08	21.5	30.0	360
4710PS-24T-B20-A00	240	50	140	0.060	9.0	1900	49.4	1.40	.08	19.6	29.0	360
	240	60	140	0.050	8.0	2100	53.0	1.50	.086	21.5	30.0	360

Rotation: Counterclockwise  
 \*\* Contact NMB for Availability

Airflow Outlet: Air Out Over Struts

\*1: Maximum Values in Free Air  
 \*2: Average Values in Free Air  
 \*3: Minimum Values in Free Air

# Mouser Electronics

Authorized Distributor

Click to View Pricing, Inventory, Delivery & Lifecycle Information:

## [NMB Technologies:](#)

[4710PS-12T-B3A-A00](#) [4710PS-23T-B20-A00](#) [4710PS-12T-B20-A00](#) [4710PS-24T-B30-A00](#) [4710PS-20W-B30-B00](#)  
[4710PS-23W-B30-A00](#) [11925PB-B4L-EP-00](#) [4710PS-10T-B3A-B00](#) [4710PS-10W-B30-B00](#) [4710PS-24T-B3A-A00](#)  
[4710PS-22W-B30-B00](#) [4710PS-24W-B30-A00](#) [11925PB-A0K-EA-00](#) [11925PB-B2K-EA-00](#) [11925PB-B4L-AA-00](#)  
[11925PB-B4L-EA-00](#) [11925PB-A0L-AA-00](#) [11925PB-B0L-EA-00](#) [11925PB-B3L-EP-00](#) [11925PB-A1L-EP-00](#)  
[11925PB-B2L-AA-00](#) [11925PB-B3L-AA-00](#) [11925PB-B2L-EA-00](#) [11925PB-B0L-AA-00](#) [11925PB-B3K-EA-00](#)  
[11925PB-A0L-EA-00](#) [11925PB-B0K-EA-00](#) [11925PB-A0L-EP-00](#) [11925PB-A1L-EA-00](#) [11925PB-B4K-EA-00](#)  
[4710PS-22T-B20-B00](#) [4710PS-20T-B30-B00](#) [4710PS-12T-B30-A00](#) [4710PS-23T-B3A-A00](#) [11925PB-B3L-EA-00](#)  
[11925PB-A1K-EA-00](#) [4710PS-22T-B30-B00](#) [4710PS-20T-B20-B00](#) [4710PS-23T-B30-A00](#) [4710PS-10T-B30-B00](#)  
[4710PS-24T-B20-A00](#) [4710PS-10T-B20-B00](#)