

MICRO SWITCH

FREERPORT, ILLINOIS, U S A
A DIVISION OF HONEYWELL

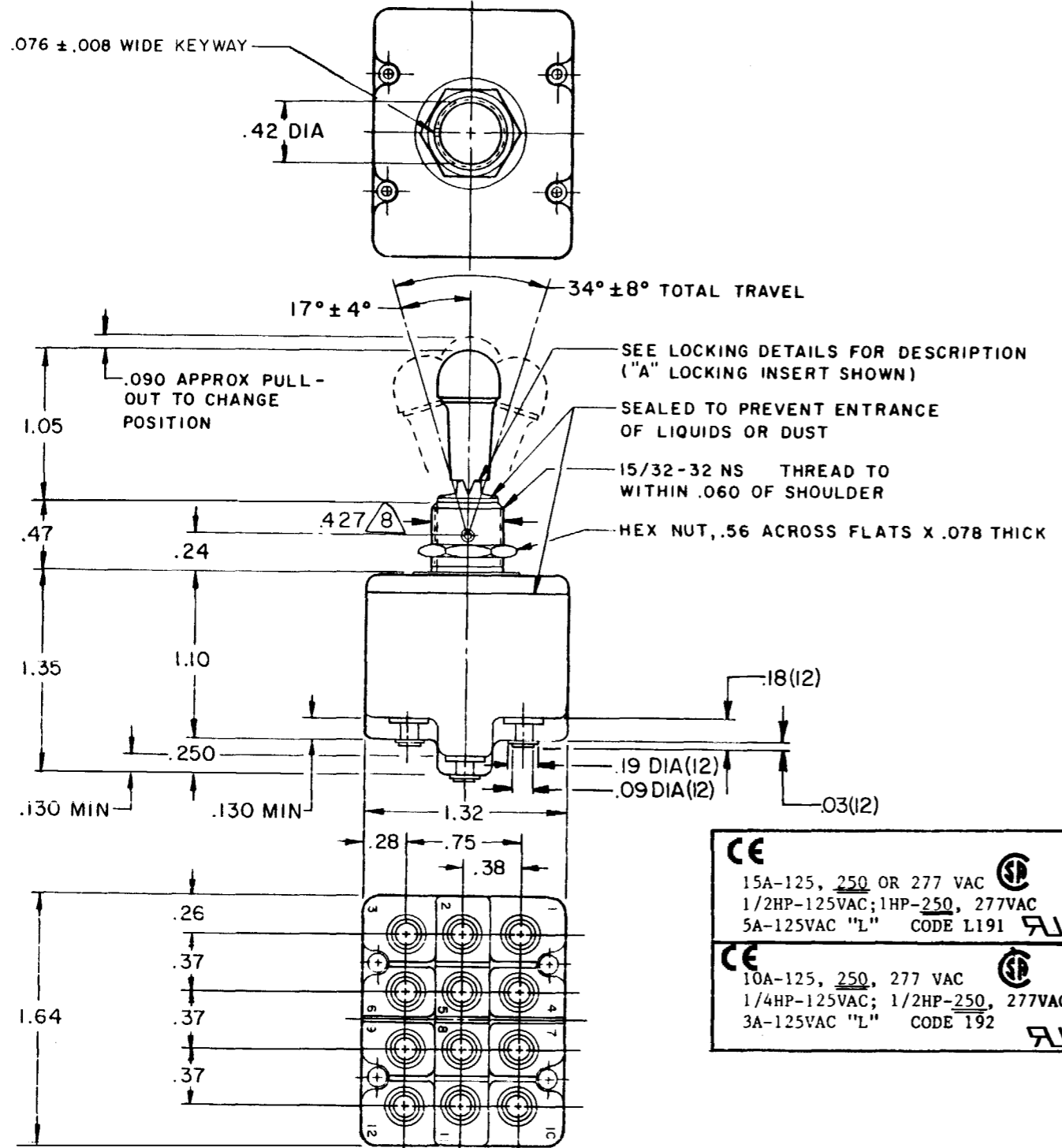
FED. MFG. CODE 91929

SWITCH-TOGGLE

CATALOG LISTING 14TL1 SERIES CHART 2

THIS DRAWING COVERS A PROPRIETARY ITEM AND IS THE PROPERTY OF MICRO SWITCH. A DIVISION OF HONEYWELL. THIS DRAWING IS NOT TO BE COPIED OR USED WITHOUT THE APPROVAL OF MICRO SWITCH.

CATALOG LISTING
M 14TL1 SERIES CHART 2
 PAGE 1 OF 1
 ISSUE 11
 REVISIONS:
 A NEW DWG PR-3335 JAH 14 MAY 73
 B CORR 14TL1-8 KPK 1 MAR 74
 C CO-33958 JAL 21 AUG 74
 D CO37951 JAL 7 DEC 76
 E CO 49070 GRT 16 MAY 81
 F CO 49791 WJM 16 JUL 81
 G CO50496 JAP 16 NOV 81
 H CO56074 CLW 19 NOV 84
 J CO-94428 CS 28 NOV 99
 FORMTEK
 FO-50378-2A
 DRAWN JAH 14 MAY 73
 CHECK L.S.D. 17 MAY 73
 RELEASE NO. PR-3335
 REPLACES



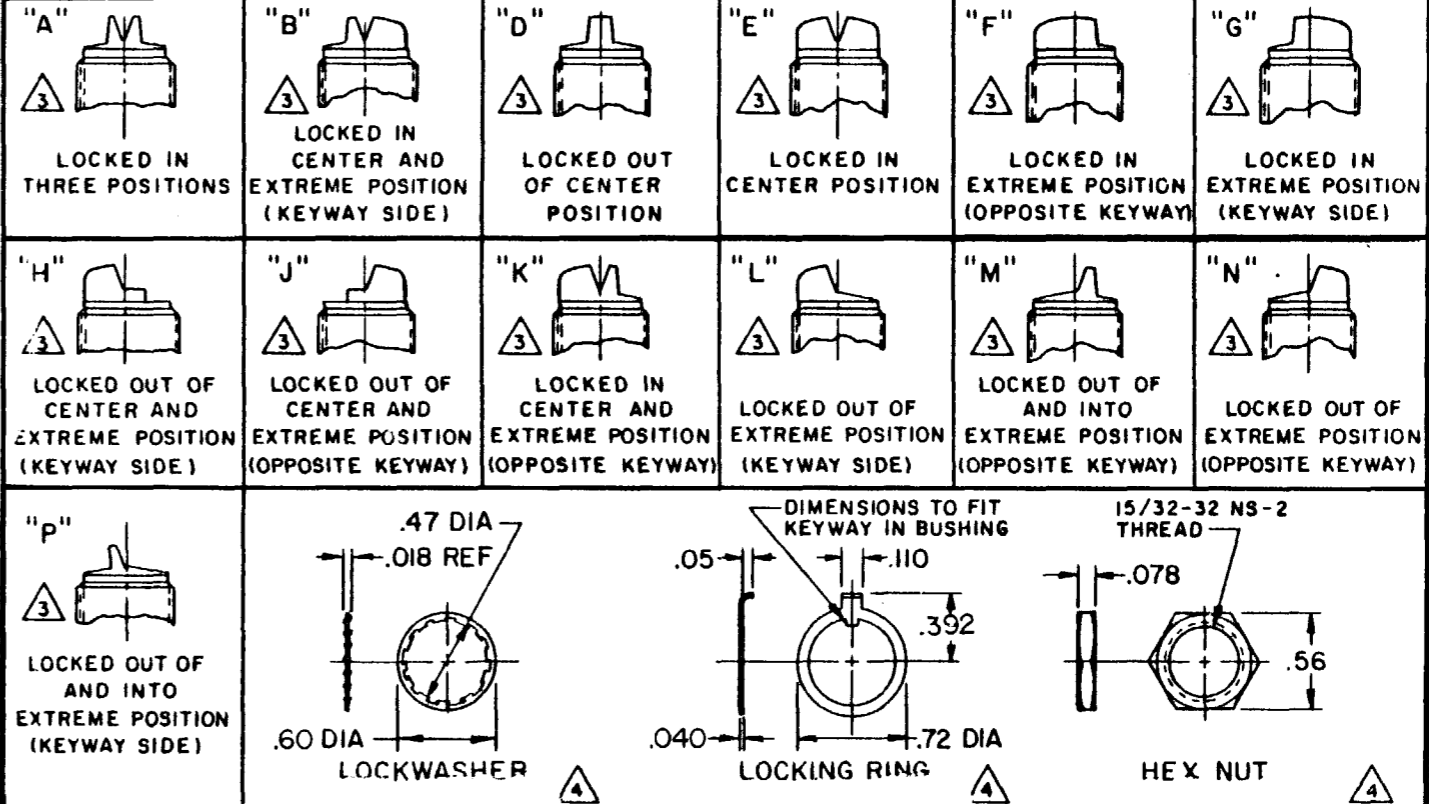
CE
 15A-125, 250 OR 277 VAC
 1/2HP-125VAC; 1HP-250, 277VAC
 5A-125VAC "L" CODE L191 **RU**

CE
 10A-125, 250, 277 VAC
 1/4HP-125VAC; 1/2HP-250, 277VAC
 3A-125VAC "L" CODE I92 **RU**

- NOTE:
- 1- SWITCHES ARE CAPABLE OF WITHSTANDING A TEMPERATURE OF 160° F CONTINUOUSLY AT FULL RATED LOAD
 - 2- CIRCUIT DESIGNATION, MICRO SWITCH CATALOG LISTING STAMPED ON SIDE OF SWITCH
 - 3- KEYWAY SHOWN ON LEFT SIDE
 - 4- FURNISHED UNASSEMBLED
 - 5- CIRCUIT DIAGRAMS APPLY ONLY TO "ON" AND "MOM ON" POSITIONS
 - 6- FOR TERMINAL COVER SEE MICRO SWITCH CATALOG LISTING 5PA9
 - 7- SUFFIX LETTER MUST BE ADDED FOR DESIRED TYPE TOGGLE LOCKING. SEE CHART FOR AVAILABLE LOCKING COMBINATIONS
 - 8- FROM BOTTOM OF KEYWAY TO MAJOR DIA. OF 15/32 THREAD

SCALE FULL
 DO NOT SCALE PRINT
 UNLESS OTHERWISE NOTED
 DIMENSIONS ARE IN INCHES
TOLERANCES ARE:
 ONE PLACE (.0) ±.030
 TWO PLACE (.00) ±.015
 THREE PLACE (.000) ±.005
 ANGLES ±
 WEIGHT .23 LB MAX

CAT. LIST.	AVAILABLE LOCKING COMBINATIONS FOR CONFIGURATION SEE LETTERED DETAILS	CIRCUIT WITH TOGGLE IN			MILITARY RATING (AMPS)								MS NUMBER		
		EXTREME POSITION KEYWAY SIDE	CENTER	EXTREME POSITION OPPOSITE KEYWAY	RESISTIVE LOAD DC VOLTS				LAMP LOAD		INDUCTIVE LOAD			CONTINUOUS	
					28	125	250	125	250	28 VDC	125 VAC	28 VDC			125 VAC
14TL1-1	A,B,D,E,F,G,H,J,K,L,M,N,P	ON	OFF	ON											MS 27739-21
14TL1-2	D, F, G	OFF	NONE	ON											MS 27739-22
14TL1-3	D, F, G	ON	NONE	ON											MS 27739-23
14TL1-21	E, F, K, M	NONE	OFF	ON	20	.75	.5	15	6	5	4	12	15		MS 27739-24
14TL1-31	E, F, K, M	NONE	ON	ON											MS 27739-33
(REFER TO L191 FOR UL RATING)															
14TL1-4	F	MOM OFF	NONE	ON											MS 27739-29
14TL1-5	E, F, K, L, M, N	MOM ON	OFF	ON											MS 27739-31
14TL1-6	F	MOM ON	NONE	OFF											MS 27739-30
14TL1-7	E, L, N	MOM ON	OFF	MOM ON											MS 27739-27
14TL1-8	F	MOM ON	NONE	ON											MS 27739-26
14TL1-51	E	NONE	ON	MOM ON	18	.75	.5	11	6	4	2	10	8		MS 27739-25
14TL1-61	E	MOM ON	OFF	NONE											MS 27739-32
(REFER TO L192 FOR UL RATING)															



CIRCUIT DIAGRAM

