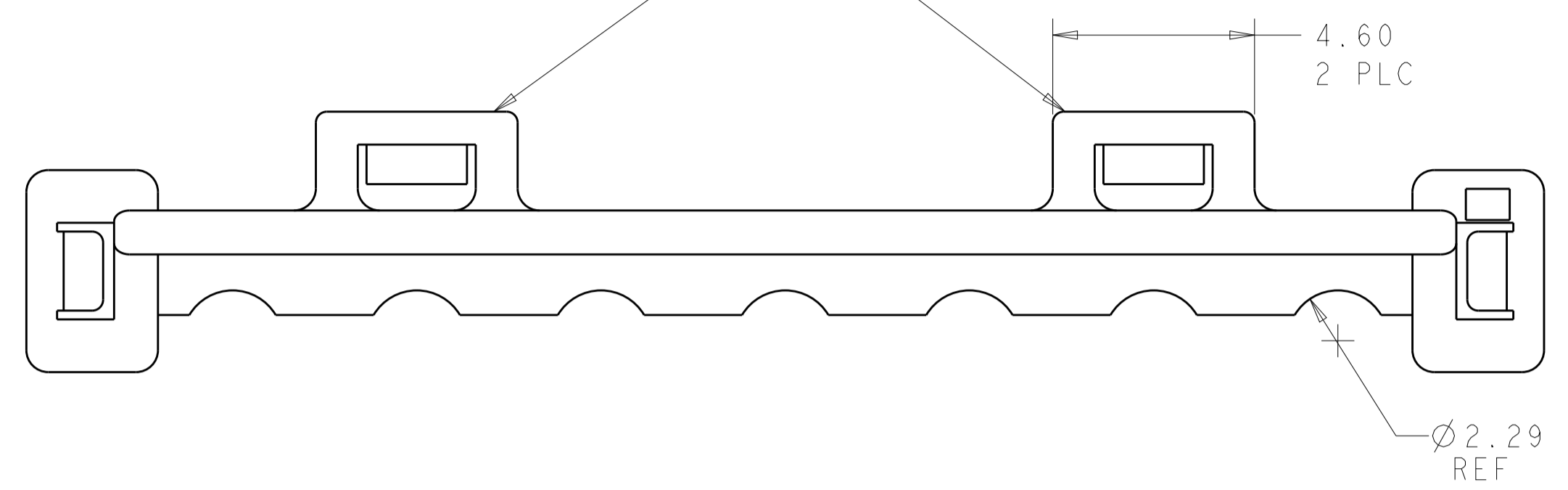
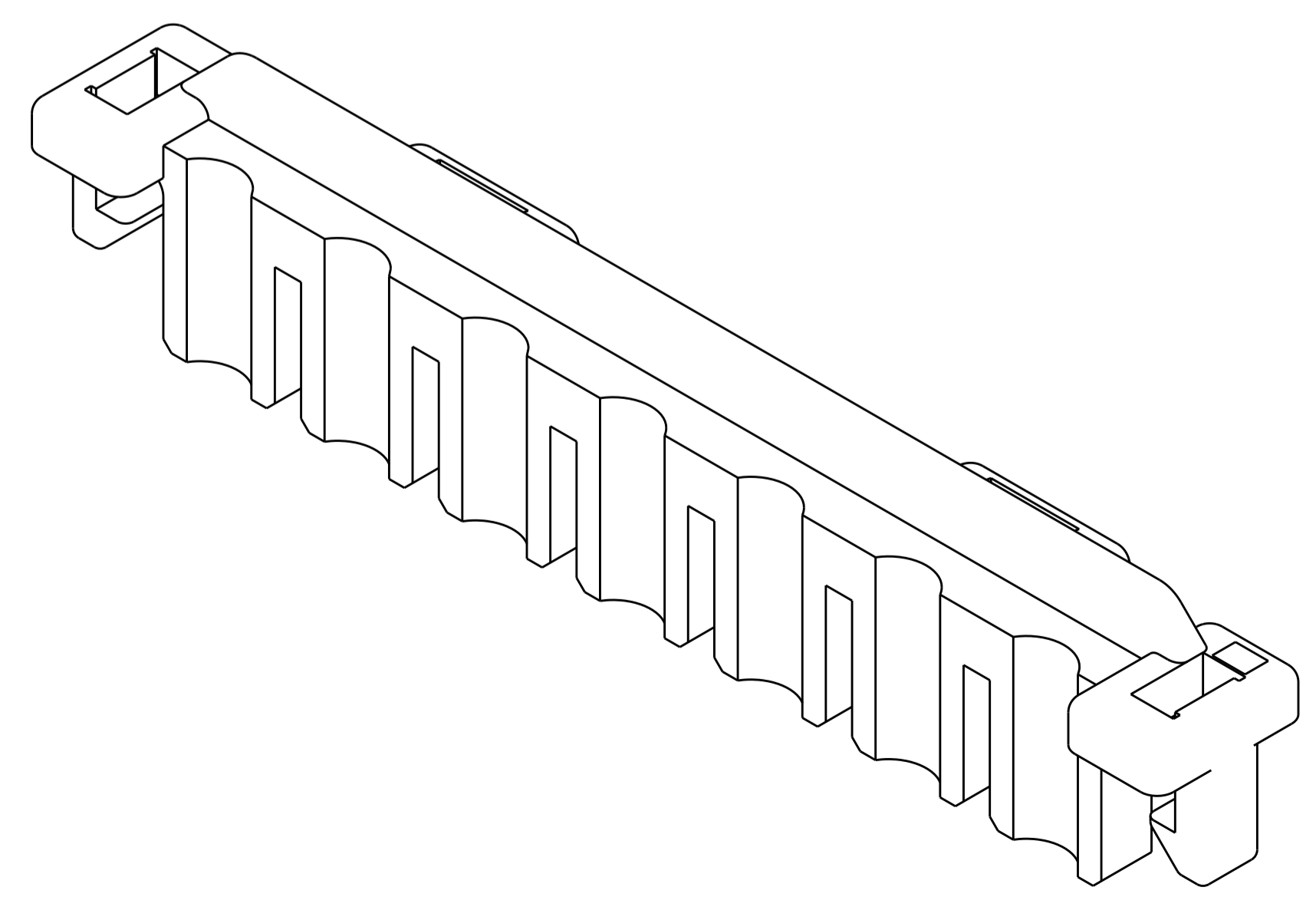
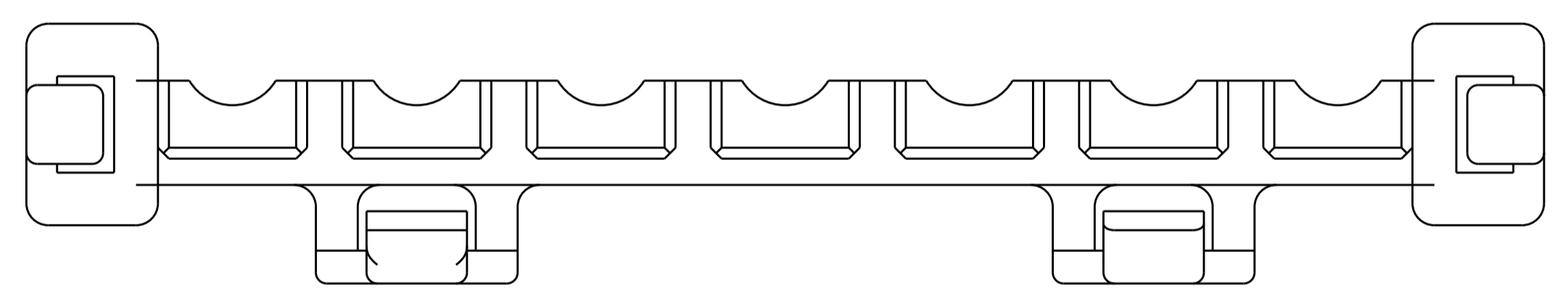
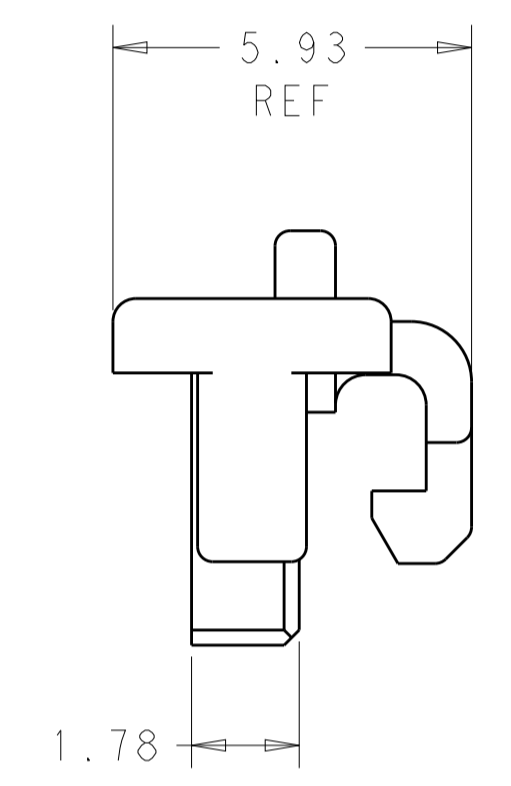
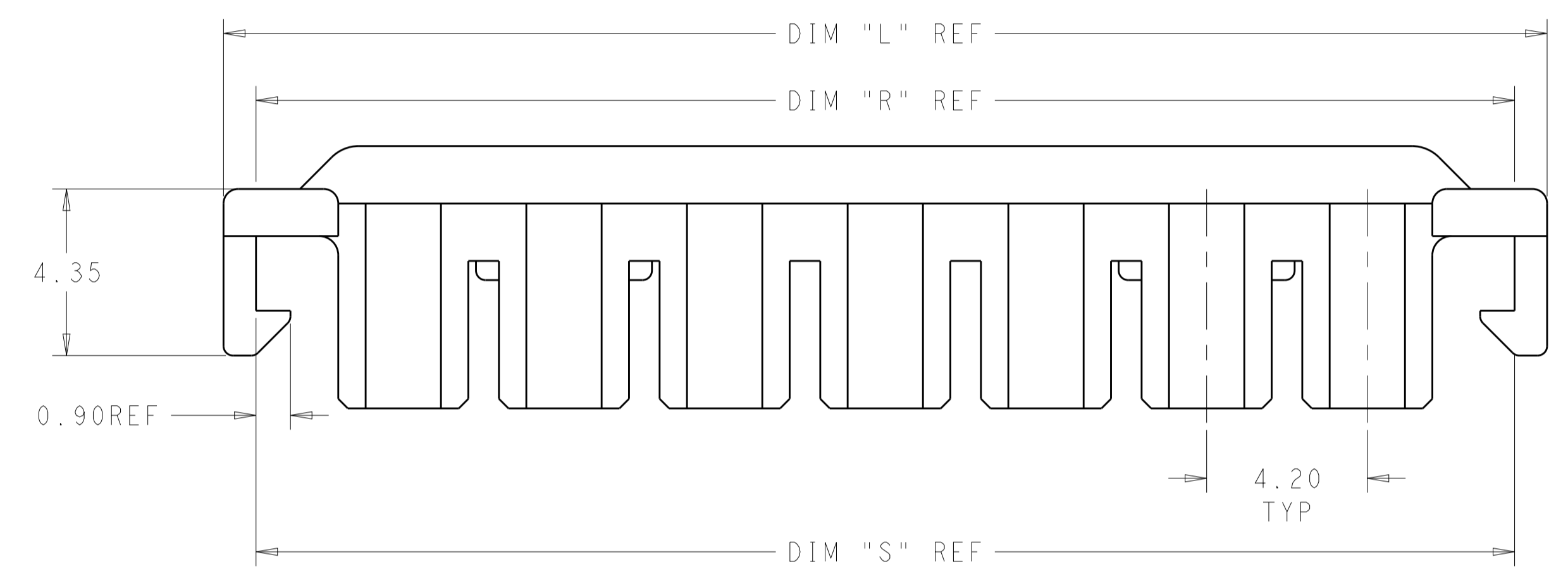
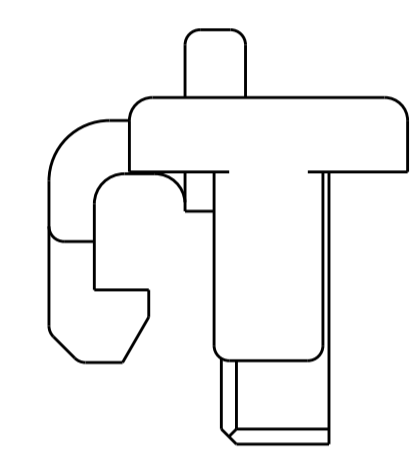


LOC		DIST		REVISIONS			
P	LTN	DESCRIPTION	DATE	DWN	APVD		
A2		REVISED PER ECR-16-017699	12JAN2017	JJ	DZ		

TOP LATCHES NOT PRESENT FOR POSITIONS 1-5



1. USE WITH VAL-U-LOK HOUSINGS.
 2. FOR USE WITH #26-#22 AWG LEAD WIRE WITH INSULATION DIA 2.03-2.16MM AND INSULATION CRIMP HEIGHT OF 2.54 MIN.
- 3 SIDE LATCHES ONLY, NO TOP LATCHES FOR POSITIONS 1-5



1969609-7 SHOWN HERE

53.94	53.90	55.60	12	1-1969609-2
49.74	49.70	51.40	11	1-1969609-1
45.54	45.50	47.20	10	1-1969609-0
41.34	41.30	43.00	9	1969609-9
37.14	37.10	38.80	8	1969609-8
32.94	32.90	34.60	7	1969609-7
28.74	28.70	30.40	6	1969609-6
24.54	24.50	26.20	5	1969609-5 ³
20.34	20.30	22.00	4	1969609-4 ³
16.14	16.10	17.80	3	1969609-3 ³
11.94	11.90	13.60	2	1969609-2 ³
7.74	7.70	9.40	1	1969609-1 ³
DIM S	DIM R	DIM L	# OF POS	PART NO.

THIS DRAWING IS A CONTROLLED DOCUMENT. DWN S. EDWARDS 08JAN2013
 CHK KURT RANDOLPH 08JAN13
 APVD KURT RANDOLPH 08JAN13

TE TE Connectivity

NAME: HOUSING, TPA, VAL-U-LOK

PRODUCT SPEC: -
 APPLICATION SPEC: -

MATERIAL: NYLON 6/6 FINISH: COLOR: RED

WEIGHT: -

Customer Drawing

SIZE: A1 00779 C=1969609

RESTRICTED TO: -

SCALE: 8:1 SHEET 1 OF 1 REV: A2

Mouser Electronics

Authorized Distributor

Click to View Pricing, Inventory, Delivery & Lifecycle Information:

[TE Connectivity:](#)

[1969609-5](#)