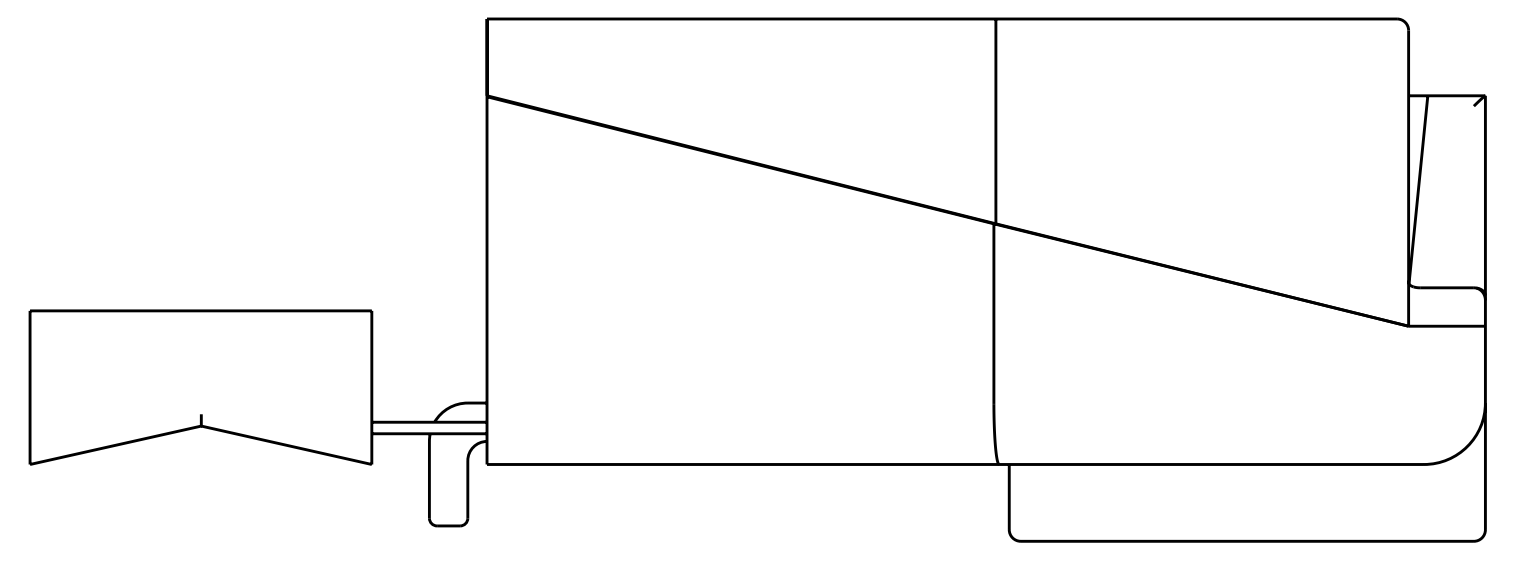
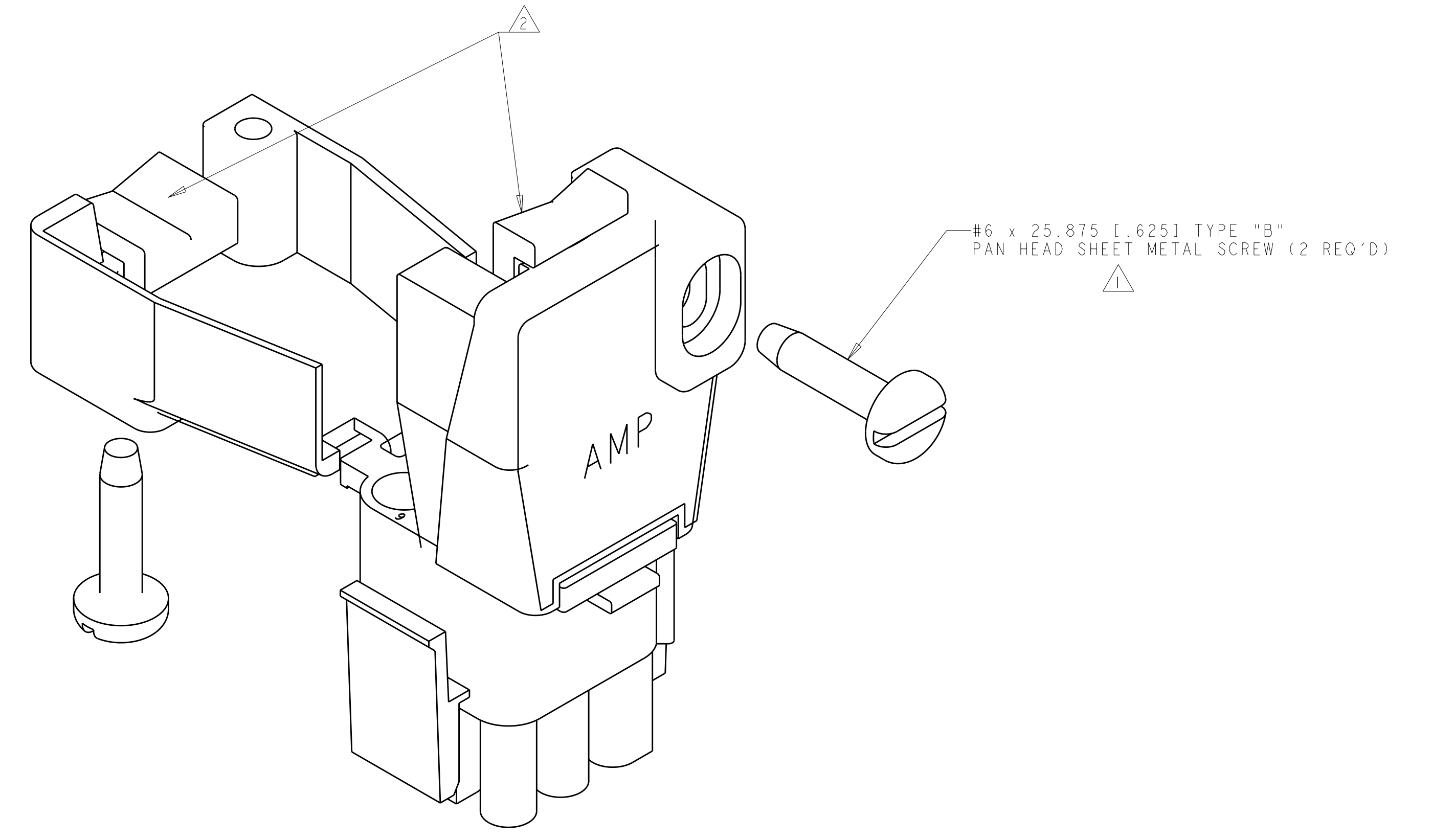
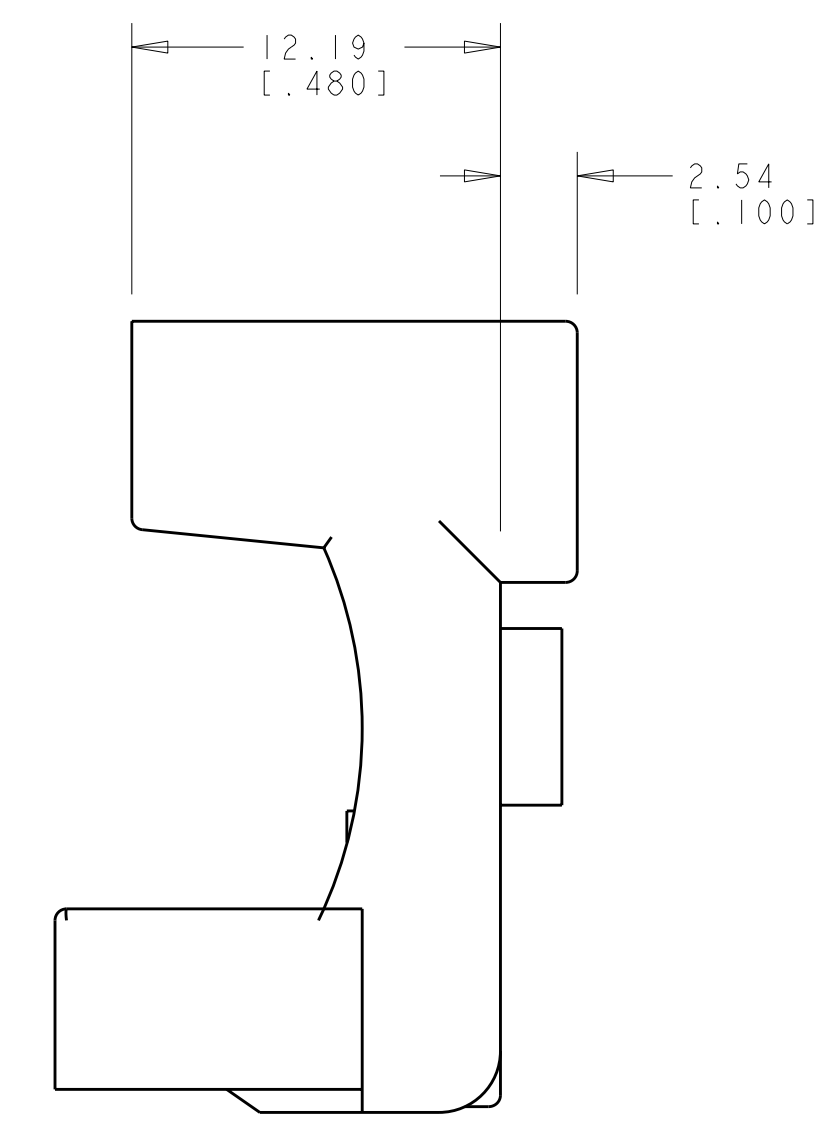
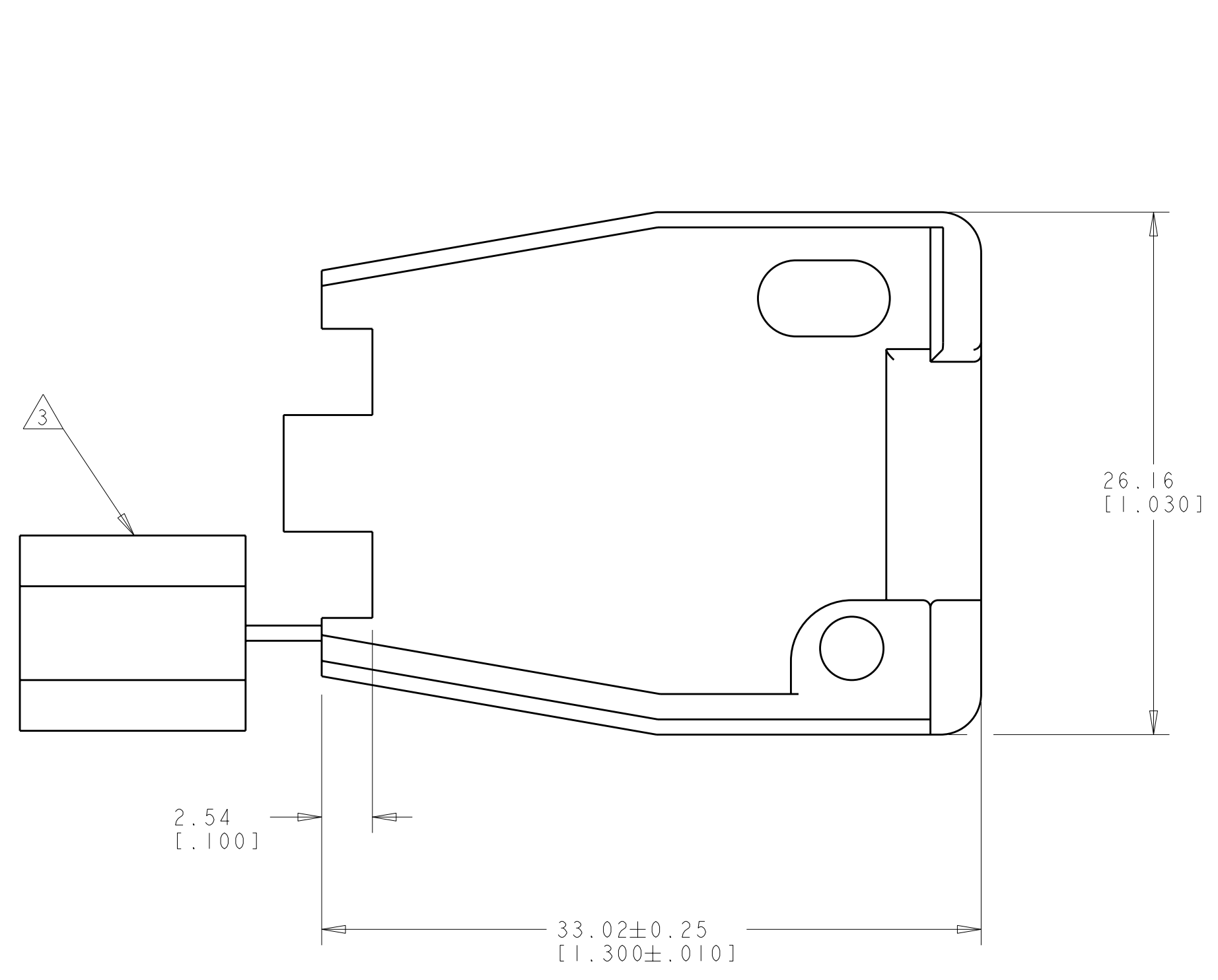


LOC	DIST	REVISIONS			
CM	00	REV	DATE	DWN	APVD
		D1	REVISED PER ECO-11-005027	18MAR2011	RK HMR

- 1. SHEET METAL SCREWS NOT SUPPLIED.
- 2. INSERT IS ATTACHED TO STRIN RELIEF AS AN ADDITIONAL ADJUSTMENT FOR SMALL WIRE BUNDLES. IT SHOULD BE CUT OFF AND POSTIONED AS SHOWN.
- 3. TWO REQUIRED PER CONNECTOR.
- 4. DETACHABLE INSERT MAY SEPARATE FROM STRAIN RELIEF BODY DURING SHIPPING.



COLOR	MATERIAL	PART NUMBER
BLACK	NYLON UL94V-2	1-640721-9
NATURAL	NYLON UL94V-2	1-640721-0



THIS DRAWING IS A CONTROLLED DOCUMENT.

DWN: R. WHITAKER 05DEC2003
 CHK: S. RIDGILL 05DEC2003
 APVD: S. RIDGILL 05DEC2003

STRAIN-RELIEF AND INSERT, 6 CIRCUIT, UNIVERSAL MATE-N-LOK(TM)

SCALE: 4:1 SHEET 1 OF 1 REV D1

4805 (3/11) Pro/ENGINEER DRAWING

Mouser Electronics

Authorized Distributor

Click to View Pricing, Inventory, Delivery & Lifecycle Information:

[TE Connectivity:](#)

[1-640721-9](#)