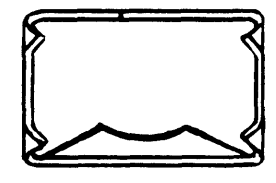
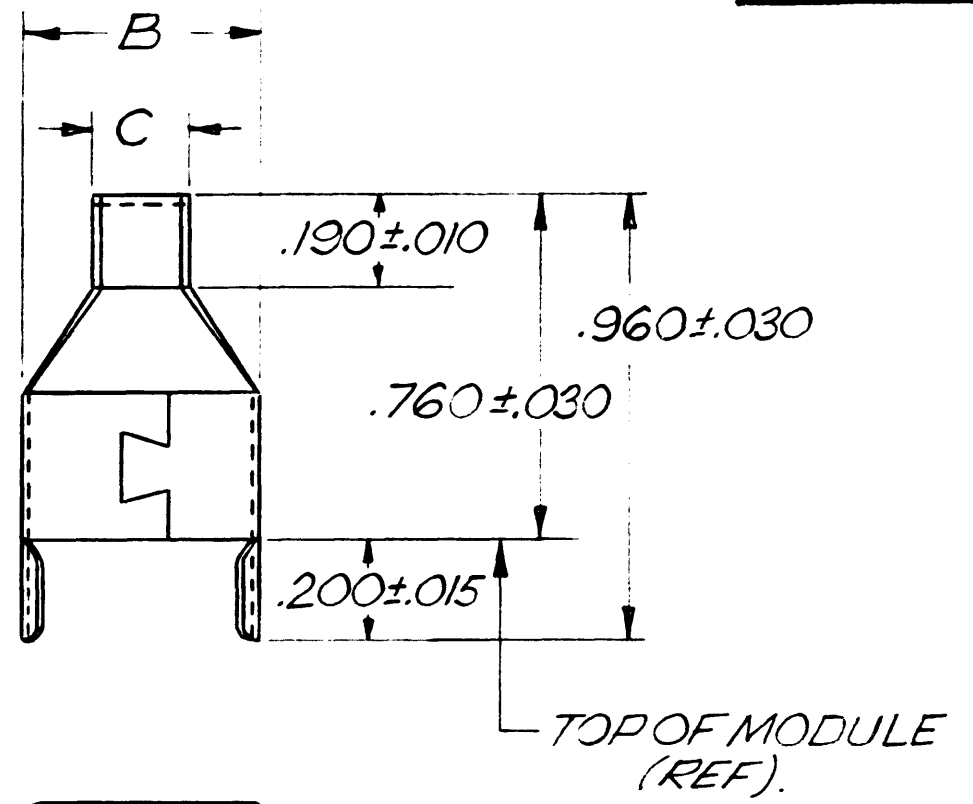
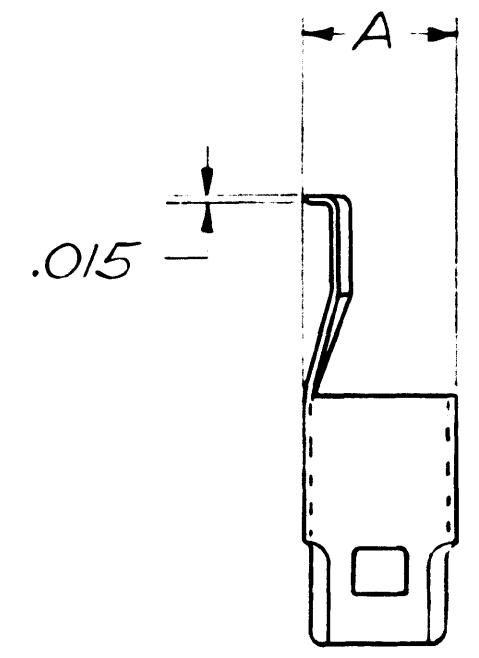


A 1629-01-XX117

REVISIONS			
SYM	DESCRIPTION	DATE	APPROVED
N/C	NEW RELEASE PER E.O. 82018.	1-24-76	JDM
A	REVISED PER E.O. 82026.	2-5-76	JDM



PART N ^o	USED ON:	A±.030	B±.030	C±.015
1629-01-06117	6 CONTACT MODULE	.320	.490	.200
1629-01-12117	12 CONTACT MODULE	.470	.630	.300

NOTE:

TOLERANCES UNLESS OTHERWISE SPECIFIED DECIMALS: .XXX ± .005 ANGLES: ± 0° 30' 0" TIR .010 PARTS TO BE FREE OF BURRS AND SHARP EDGES	SIGNATURE & DATE	
	DR	<i>Ron von Flensburg</i> 1-24-76
	CHK	
	PE	J. MACDONALD 1-24-76
	APPD	
MATERIAL	BRASS	
FINISH	NICKEL PLATED.	
SCALE	WT	

STRAIN RELIEF FOR USE ON MODULES #CTJ620E*** & 920E***.

ENVELOPE.

CP	MATL CODE
The Deutsch Company ELECTRONIC COMPONENTS DIVISION Municipal Airport Banning, California	
B	1629-01-XX117
DWG SIZE	CODE 11139 SHEET 1 OF 1