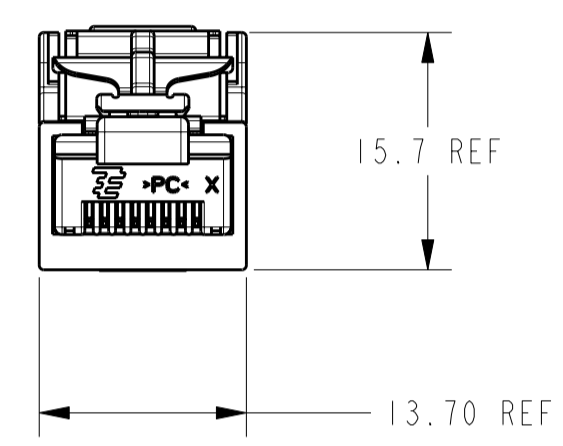
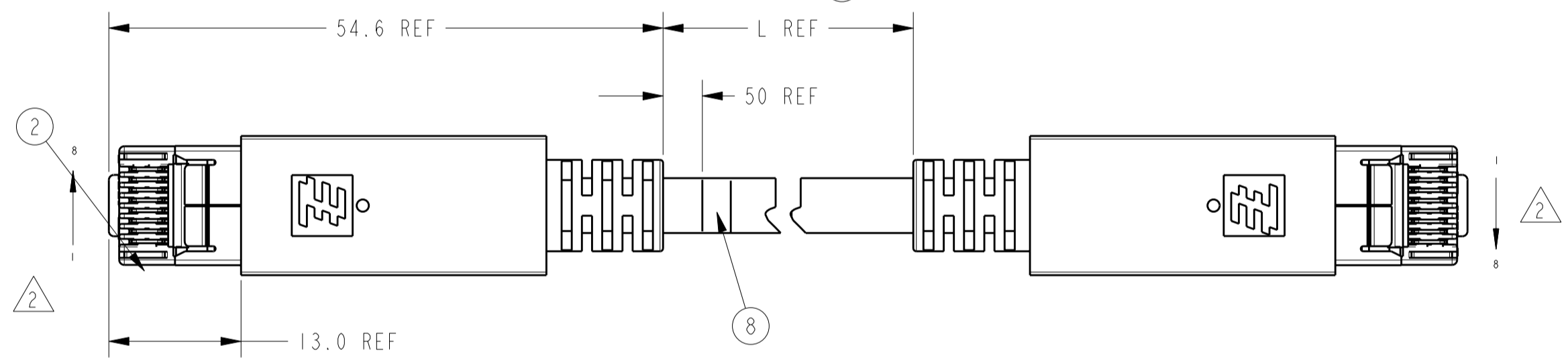
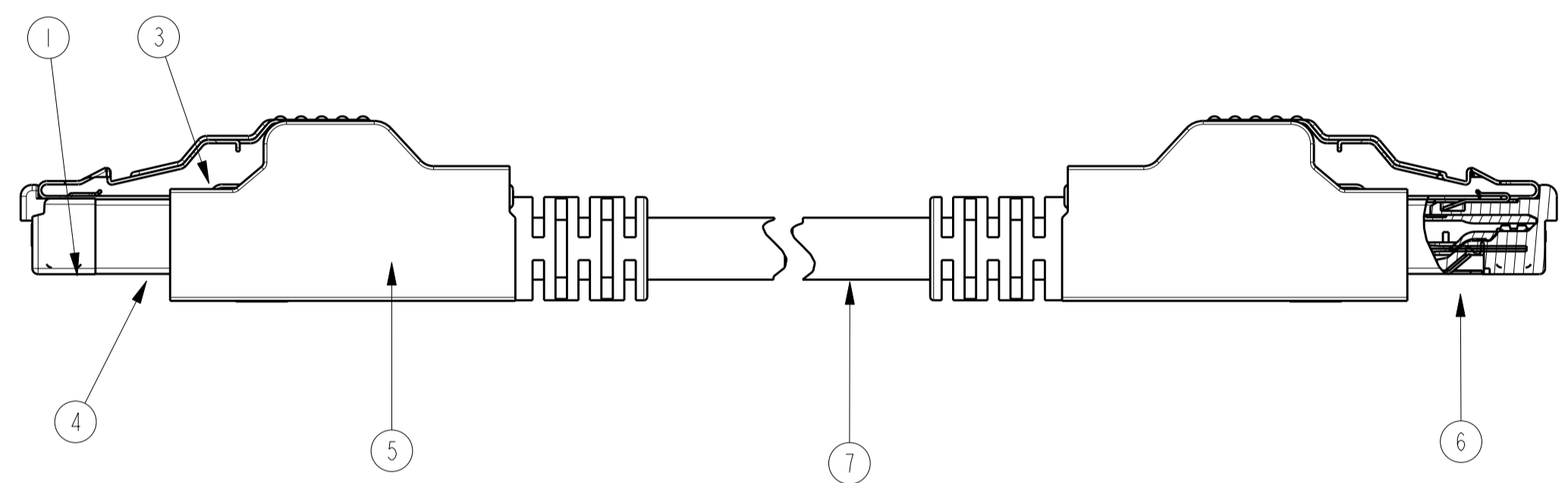
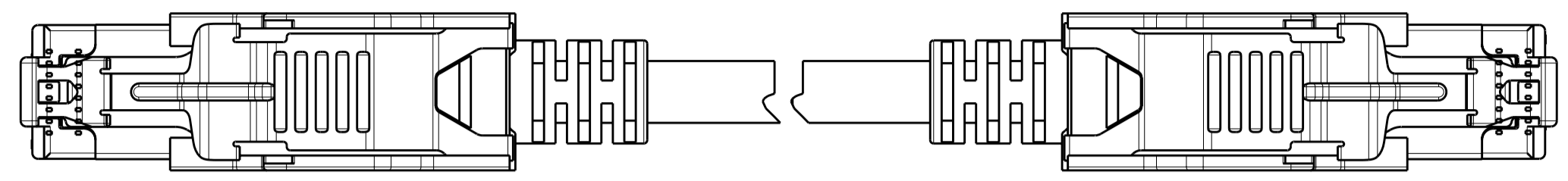


THIS DRAWING IS UNPUBLISHED. RELEASED FOR PUBLICATION 20
 © COPYRIGHT 20 BY - ALL RIGHTS RESERVED.

LOC		DIST		REVISIONS			
P	LTR	DESCRIPTION	DATE	DWN	APVD		
ES	00	A2	ECR-11-006336	28MAR2011	RL	SL	



NOTES:
 1. TEST REQUIREMENT:
 ELECTRICAL TESTING, 100% CONTINUITY AND SHORT CIRCUIT INSULATION TEST.
 2. CABLE CODING IS ACCORDING TO T568B
 3. FINISH: 1.27μ MIN. GOLD PLATED IN CONTACT AREA,
 ALL OVER 1.27μ MINIMUM NICKEL UNDERPLATE

8	1	1	1	1	1	1	PC	LABEL FOR CABLE	
7	30M	20M	10M	5M	1.5M	2M	L	ETHERNET CABLE	CAT5e SHIELDED CABLE, 26AWG, STRANDED WIRE
6	2	2	2	2	2	2	PC	WIRE HOLDER FOR MODULAR PLUG	POLYCARBONATE UL94 V0
5	AR	AR	AR	AR	AR	AR	KG	OVERMOLDING HOUSING	PP, BLACK
4	2	2	2	2	2	2	PC	SHIELD FOR MODULAR PLUG	STAINLESS STEEL
3	2	2	2	2	2	2	PC	LOCK SPRING	STAINLESS STEEL
2	16	16	16	16	16	16	PC	CONTACT FOR MODULAR PLUG	COPPER ALLOY 3
1	2	2	2	2	2	2	PC	HOUSING FOR MODULAR PLUG	POLYCARBONATE UL94 V0
ITEM NO	-6 QTY	-5 QTY	-4 QTY	-3 QTY	-2 QTY	-1 QTY	U/M	DESCRIPTION	MATERIAL

THIS DRAWING IS A CONTROLLED DOCUMENT.

DWN: CHERRY CHENG 19NOV2009
 CHK: ROCK LV 19NOV2009
 APVD: JULIAN ZHOU 19NOV2009

TE Connectivity

ROBUST RJ45 CABLE ASSEMBLY
 INDUSTRIAL ETHERNET

108-106053

SCALE: 2:1 SHEET 1 OF 1 REV A2

Mouser Electronics

Authorized Distributor

Click to View Pricing, Inventory, Delivery & Lifecycle Information:

[TE Connectivity:](#)

[1983523-1](#)