

PLEASE CHECK WWW.MOLEX.COM FOR LATEST PART INFORMATION

Part Number: [104037-0345](#)
Status: **Active**
Overview: [Bulb Sockets](#)
Description: Sealed S8 Bulb Socket, 3 Circuit, Lug Pattern D, Focal Length 29.45mm (1.159"), Gray

Documents:

[3D Model](#) [Packaging Specification PK-104037-001 \(PDF\)](#)
[Drawing \(PDF\)](#) [RoHS Certificate of Compliance \(PDF\)](#)
[Product Specification PS-49454-001 \(PDF\)](#)

General

Product Family	Other Sockets
Series	104037
Component Type	Socket
Overview	Bulb Sockets
Product Name	S8 Bulb Socket
UPC	884982284630

Physical

Circuits (Loaded)	3
Color - Resin	Gray
Durability (mating cycles max)	Contact Molex
Entry Angle	Vertical (Top Entry)
Keying to Mating Part	Yes
Net Weight	17.604/g
PCB Locator	No
PCB Retention	N/A
PCB Thickness - Recommended	3.00mm
Packaging Type	Carton
Pitch - Mating Interface	N/A
Temperature Range - Operating	-40°C to +85°C
Termination Interface: Style	Surface Mount

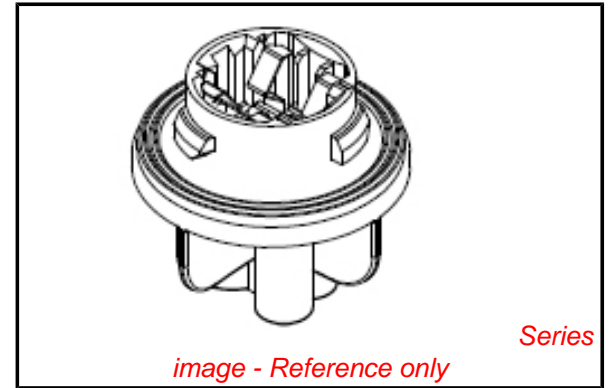
Electrical

Current - Maximum per Contact	2.4A
Voltage - Maximum	14V DC

Material Info

Reference - Drawing Numbers

Packaging Specification	PK-104037-001
Product Specification	PS-49454-001
Sales Drawing	SD-49454-001



EU RoHS

**ELV and RoHS
Compliant**
REACH SVHC
 Not Reviewed
Low-Halogen Status
Low-Halogen

China RoHS



**Need more information on product
environmental compliance?**

Email productcompliance@molex.com
 For a multiple part number RoHS Certificate of Compliance, [click here](#)

Please visit the [Contact Us](#) section for any non-product compliance questions.

Search Parts in this Series

104037Series