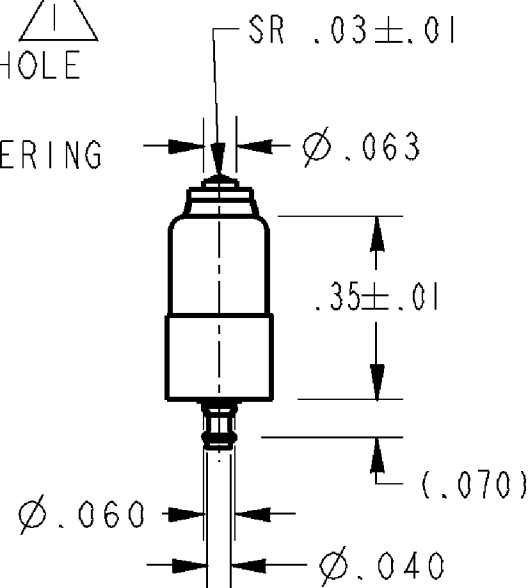
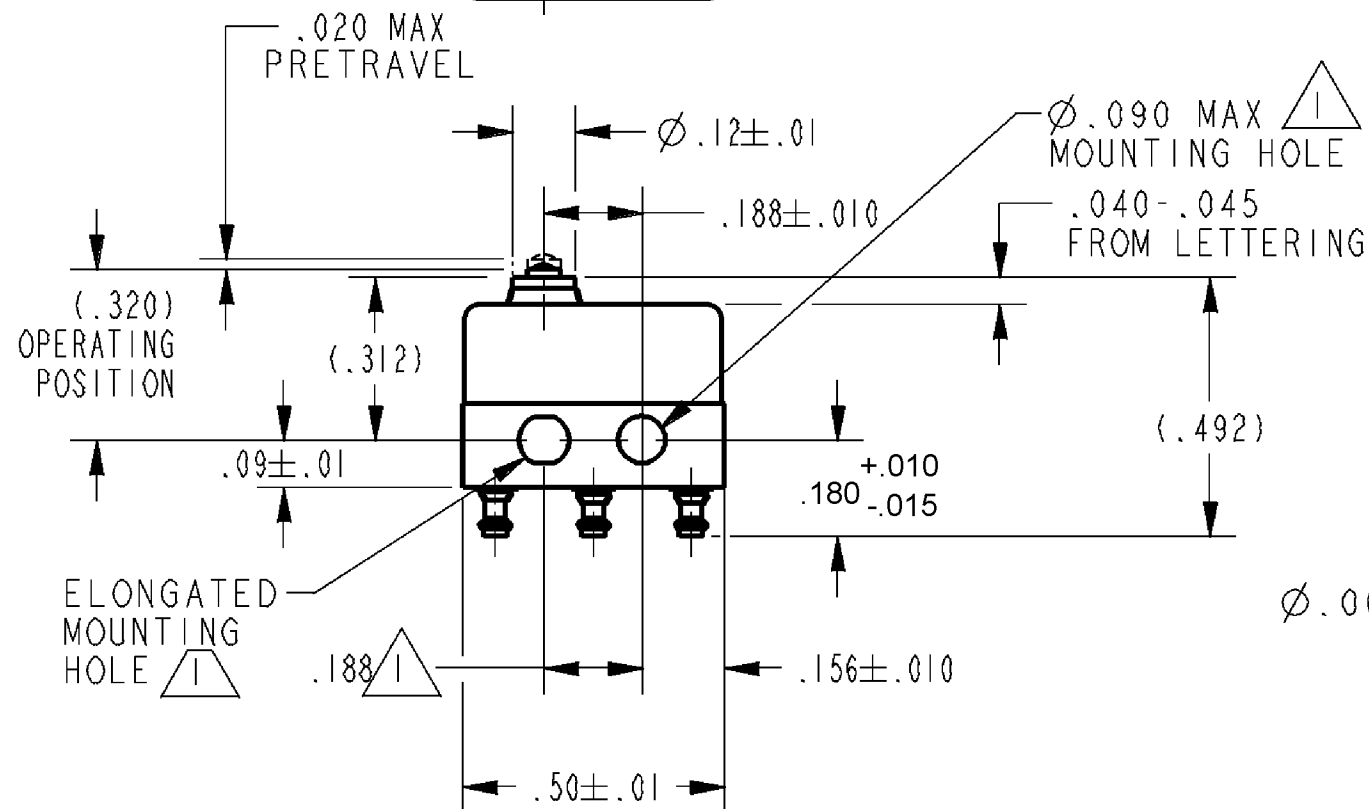
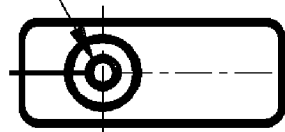


HONEYWELL PART NUMBER
13SX95-T
PRODUCT CODE
VDK2869

REV	DOCUMENT	CHANGED BY	CHECK
5	0060324	VKR 13JAN10	CMH

PLASTIC PLUNGER



- NOTES
- MOUNTING HOLES WILL ACCEPT PINS OR SCREWS OF Ø.087 MAX ON .188±.002 CENTERS
 - TERMINALS ARE SOLDER DIPPED WITH ROHS-COMPLIANT TIN/COPPER/SILVER SOLDER.
 - SWITCH WILL WITHSTAND TEMPERATURE OF 250°F
 - PLUNGER WILL BE FLUSH TO UNDERFLUSH AT FULL OVERTRAVEL

RELEASE NO.	PR - 22587
REPLACES	X100696 -SX

CHARACTERISTICS
OPERATING FORCE - - - - 6 OZ MAX
RELEASE FORCE - - - - 1/2 OZ MIN
DIFFERENTIAL TRAVEL - - - .003 MAX
OVERTRAVEL - - - - - .010 MIN

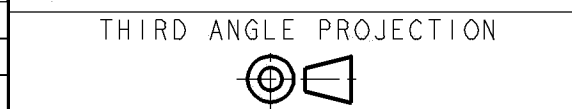
ELECTRICAL DATA		
CONTACT ARRANGEMENT SPDT		
30 VOLTS DC RATING		
INDUCTIVE	SEA LEVEL	50,000 FT
RESISTIVE	1/2 AMP	1/2 AMP
	1 AMP	1 AMP
MAXIMUM INRUSH 2 AMP		

DESIGN UNITS: INCH
TOLERANCES UNLESS NOTED:
NO PLACE .X ±
ONE PLACE .X ±
TWO PLACE .XX ±
THREE PLACE .XXX ±
FOUR PLACE .XXXX ±
ANGLES ±

DRAWN	VK	06 MAR 08
CHECK	RJ	06 MAR 08
THIS DRAWING COVERS A PROPRIETARY ITEM AND IS THE PROPERTY OF HONEYWELL. THIS DRAWING IS NOT TO BE COPIED OR USED WITHOUT THE PERMISSION OF HONEYWELL.		
INTERPRET PER ANSI Y14.5M-1982 OTHER HONEYWELL ENGINEERING STANDARDS MAY APPLY		

Honeywell			
TITLE SWITCH - BASIC			
SIZE	TYPE	DRAWING NAME	REV
B	I	13SX95-T	5
SCALE	-	WEIGHT .003 LB MAX	SHEET 1 OF 1

APPROVALS	UL, CSA	1A 125 VAC			BRAND	L22
-----------	---------	------------	--	--	-------	-----



Mouser Electronics

Authorized Distributor

Click to View Pricing, Inventory, Delivery & Lifecycle Information:

[Honeywell:](#)

[13SX95-T](#)