

## 16-3P-Series Pushbutton Switches



The 16-3P-Series pushbutton switches are single pole and AC rated up to 3 amps. These momentary action switches have a slow-make, slow-break contact mechanism and require only light actuation force (4 oz. - 1 lb.). These switches are typically used in general purpose applications requiring finger actuation.

### Dielectric Strength

UL/CSA: 1000V-live to dead metal parts

### Electrical Life

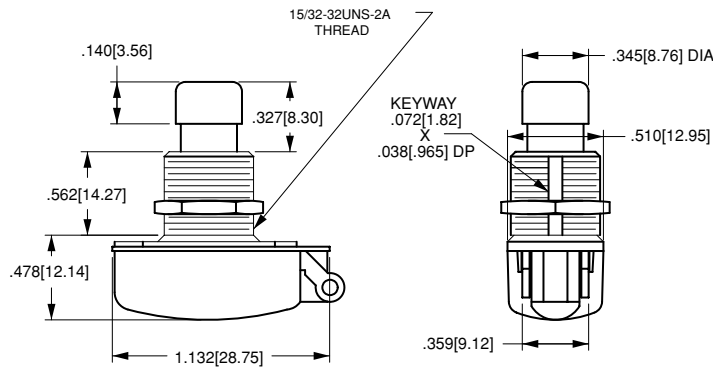
25,000 cycles

### Mechanical Life

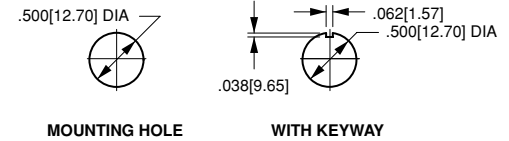
100,000 cycles

### Operating Temperature

32°F to 185°F (0°C to 85°C)



SOLDER LUG	INTEGRATED WIRE LEAD (no exposed conductors)
TERMINAL TYPE	



**16-3POFF - 4 - CBL**

<sup>1</sup> Base Part Number

<sup>2</sup> Bushing

<sup>3</sup> Actuator Style

1 BASE PART NUMBER: SERIES/POLES/CIRCUITRY/RATING/TERMINATION		
<b>Single Pole</b>	<i>solder lug</i>	<i>wire leads</i>
<b>3A 125VAC</b>		
OFF - (ON)	16-3POFF	16-3APOFF
OFF - (ON) with overtravel <sup>1</sup>	16-3POFF-OV	16-3APOFF-OV
ON - OFF	16-3PON	16-3APON
<b>1A 125VAC</b>		
ON - ON	116-P	116-AP
ON - ON with overtravel <sup>1</sup>	116-P-OV	116-AP-OV
1 ON - 1 OFF (2 circuit)	516-P	516-AP
1 ON - 1 OFF with overtravel <sup>1</sup> (2 circuit)	516-P-OV	516-AP-OV

2 BUSHING STYLE	
2	.312 length
4	.562 length

3 ACTUATOR STYLE <sup>2</sup>	
CBL	black plastic color cap
CRD	red plastic color cap

### NOTES

- <sup>1</sup> Overtravel only available with #4 bushing.
- <sup>2</sup> When selection 3 is left blank, a standard nickel plated plunger is supplied.
- ( ) Indicates momentary function.