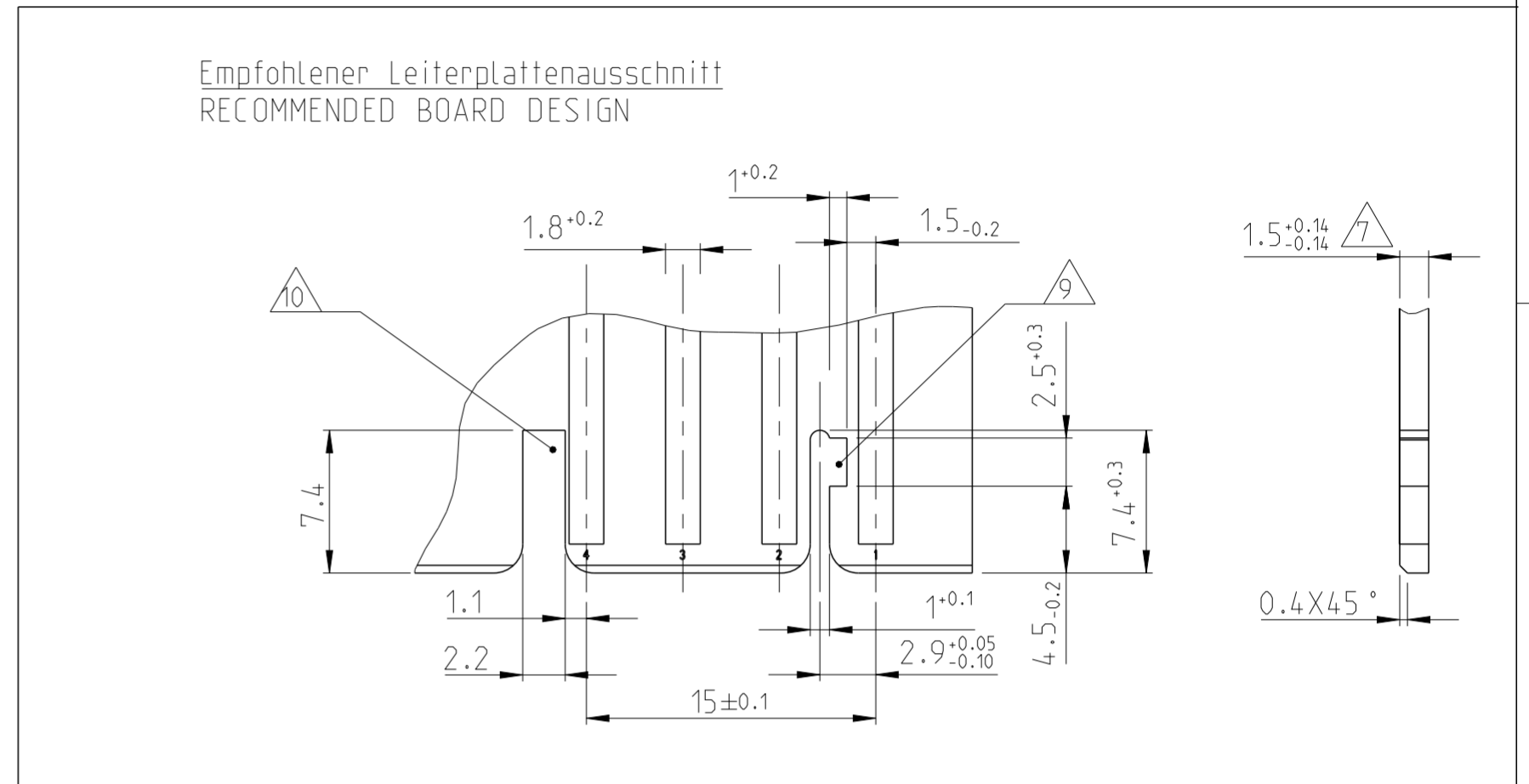
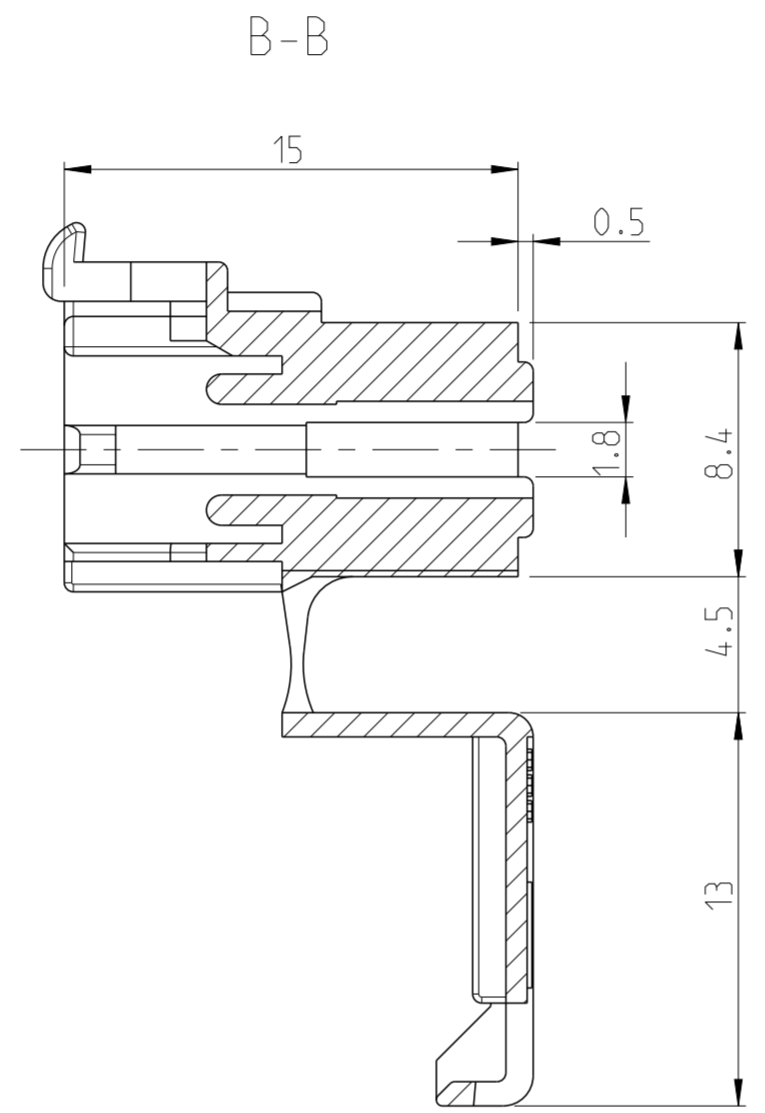
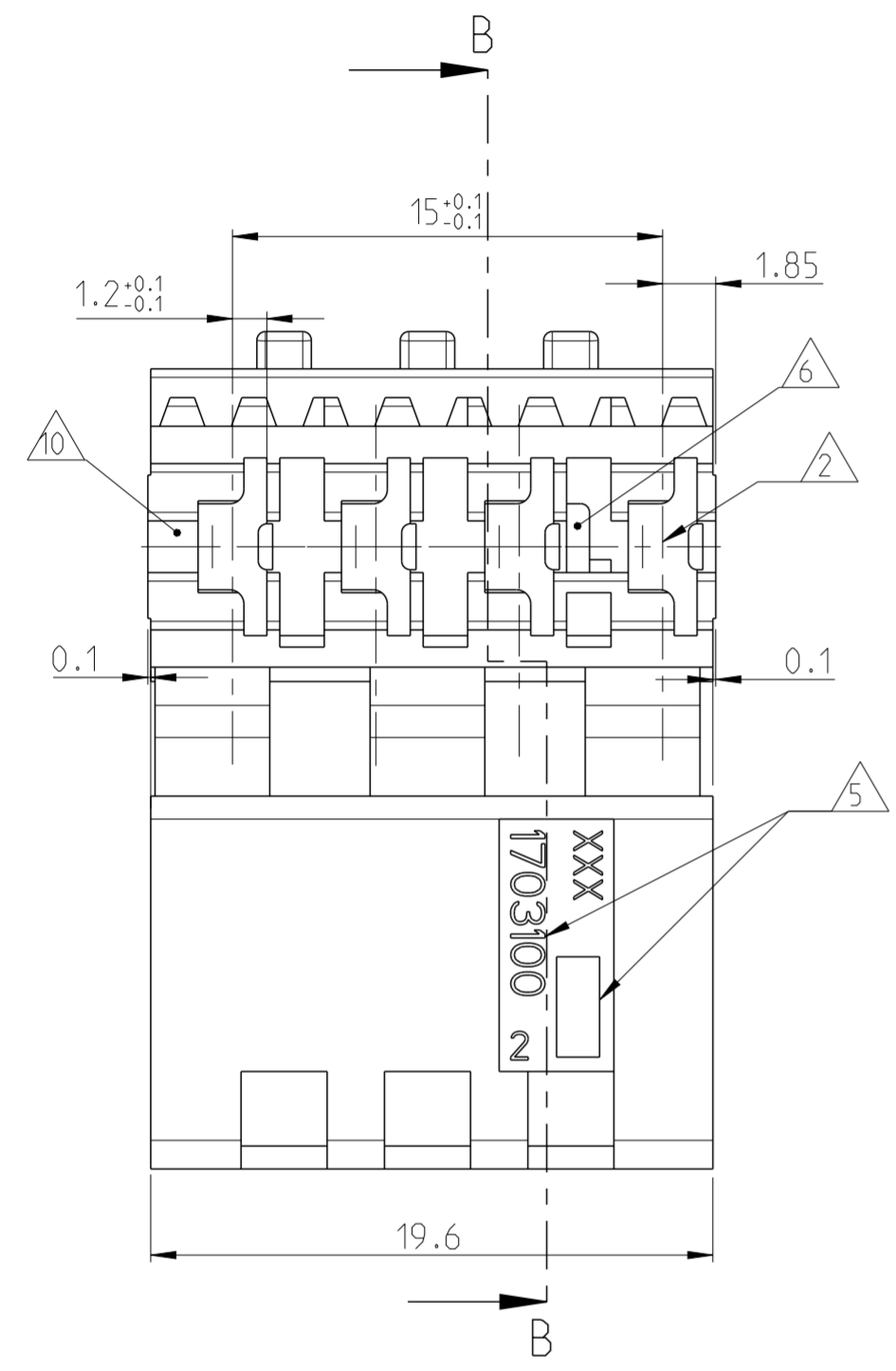
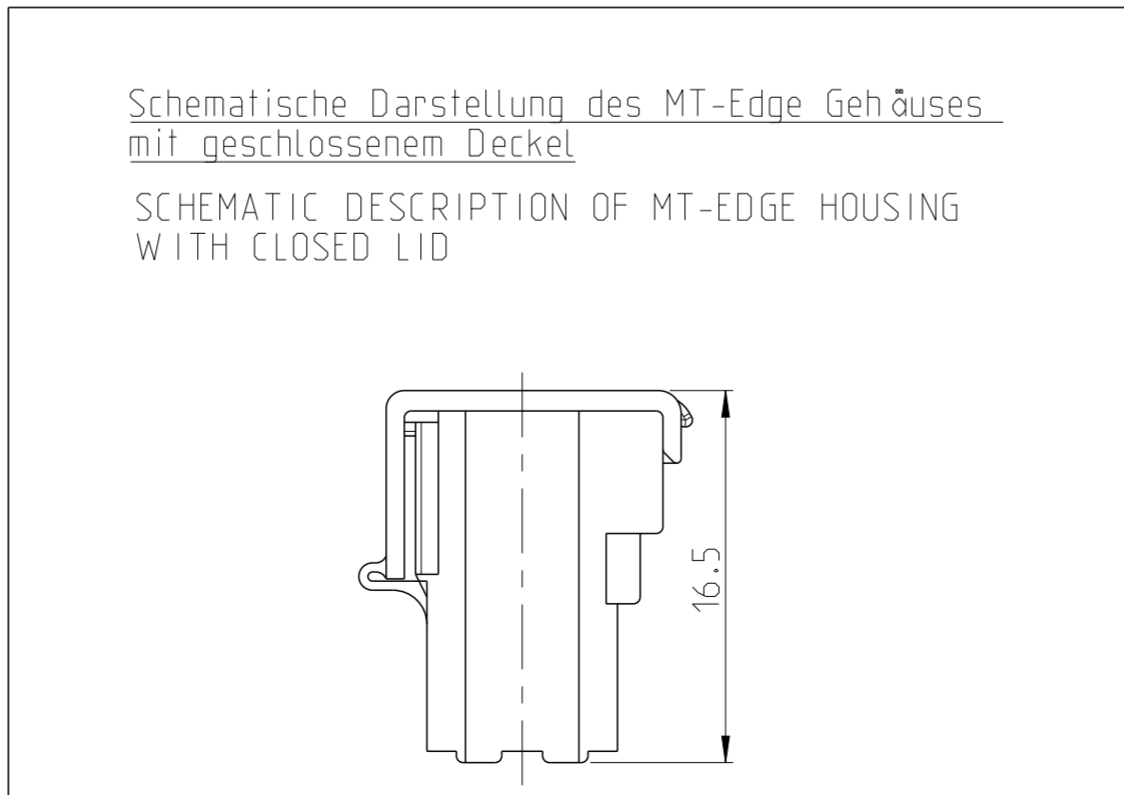
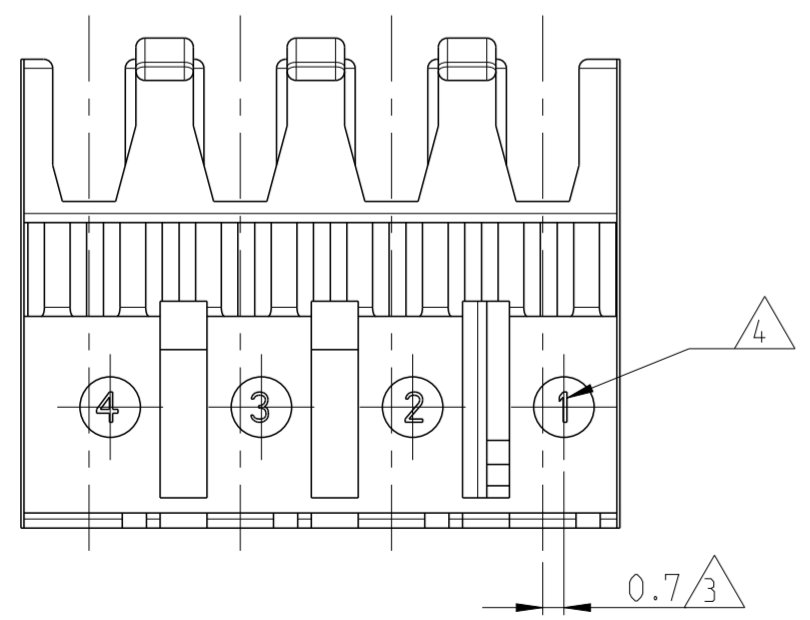


THIS DRAWING IS UNPUBLISHED. RELEASED FOR PUBLICATION
 © COPYRIGHT copyright_date BY - ALL RIGHTS RESERVED.

REVISIONS					
P	LTR	DESCRIPTION	DATE	DWN	APVD
	B	INITIAL RELEASE	02AUG2013	MKD	RRP



- Bemerkungen**
NOTES
- 1 Massgebend ist der deutsche Text
ONLY THE GERMAN-LANGUAGE VERSION SHALL BE BINDING
 - 2 Lage des Kontaktpunktes auf der Leiterplatte; Abweichung ±0.4
POSITION OF CONTACT POINT ON BOARD; DEVIATION ±0.4
 - 3 Kontaktierung zur Drahtmitte um 0.7mm versetzt
CONTACTING 0.7mm DISPLACED TO WIRE CENTRELINE
 - 4 Kontaktkammer-Nr.
CONTACT CAVITY #
 - 5 Firmenlogo und Leergehäuse-Nr.
ARTWORK LOGO AND HOUSING # (NON LOADED)
 - 6 Kodersteg zwischen Kammer Nr.1&2
KEYING RIB BETWEEN CAVITY Nr. 1 & 2
 - 7 Ausführung nach DIN 60249-2-4
BOARD DESIGN ACCORDING TO DIN 60249-2-4
 - 8 Crimp Kontakt-Nr.:
Material: CuSn4 926770-1, 926917-1
CRIMP CONTACT #: MATERIAL: CuSn4
 - 9 SQUARE HOLE 2X2 mm OPTIONAL LOCKING HOLE Ø2.5 mm
 - 10 Kodersteg Nach Letzter Kammer
KEYING RIB AFTER LAST CAVITY
 - 11 MATERIAL ACCORDING TO IEC 60335-1 (INCLUDING GWT 750 ° C NO FLAME)



1-1703100-1	11	MT-EDGE HOUSING	NATURE
PART-NO.:		DESCRIPTION	COLOUR

THIS DRAWING IS A CONTROLLED DOCUMENT.		DWN DHANESH 02AUG2013	STE TE Connectivity	
DIMENSIONS: mm		CHK DHANESH 02AUG2013		
TOLERANCES UNLESS OTHERWISE SPECIFIED:		APVD Rajendra 02AUG2013	NAME 4-WAYS MT-EDGE - HOUSING LOOSE PIECE VERSION	
0 PLC ±	±0.2	PRODUCT SPEC 108-18003	SIZE A2	CAGE CODE 00779
1 PLC ±	±	APPLICATION SPEC 114-18002	DRAWING NO C-1703100	RESTRICTED TO
2 PLC ±	±	WEIGHT -	SCALE 3:1	SHEET 1 OF 1
3 PLC ±	±	MATERIAL 11 PA6/UL94V-2	CUSTOMER DRAWING	REV B
4 PLC ±	±			
ANGLES	±			
FINISH				

Mouser Electronics

Authorized Distributor

Click to View Pricing, Inventory, Delivery & Lifecycle Information:

[TE Connectivity:](#)

[1703100-1](#)