

MICRO SWITCH

FREEPORT ILLINOIS, U.S.A
A DIVISION OF HONEYWELL
FED. MFG. CODE 91929

PACKET

CATALOG LISTING

IPA2

IPA2

M

DRAWING
NUMBER

ISSUE
10

REPLACES

RELEASE NO. CO13036

CHECK

16NOV05

RJ

CHECK

18 NOV 81

CHECK

17 NOV 81

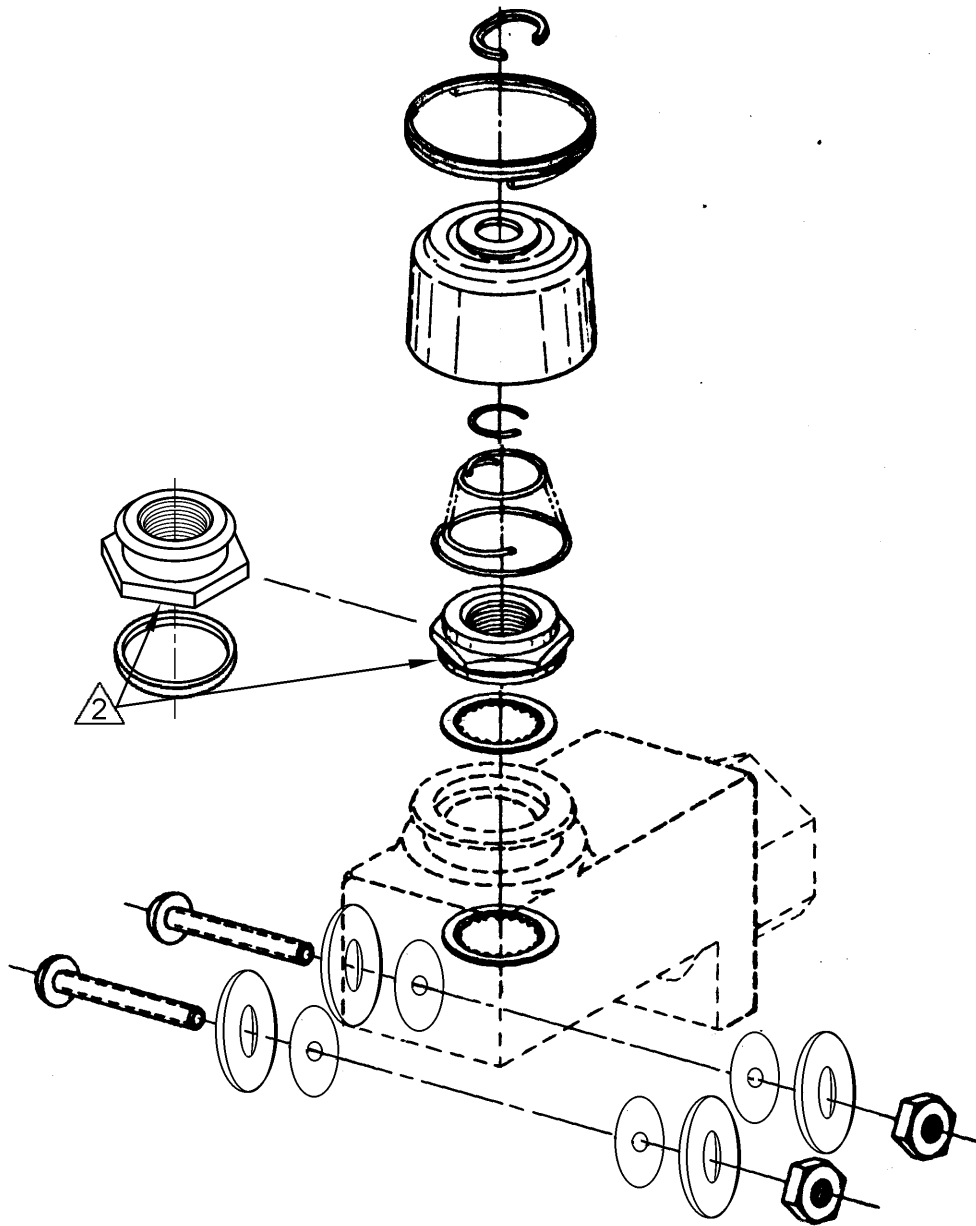
CHECK

81

CHECK

17 NOV 81

CHECK

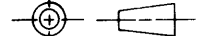


NOTES

- 1 - PARTS FURNISHED UNASSEMBLED IN BULK AS A PACKET
- 2 - TWO DIFFERENT STYLE NUTS PROVIDED. USE NUT SIMILAR TO NUT BEING REPLACED

THIS DRAWING COVERS A PROPRIETARY ITEM AND IS THE PROPERTY OF MICRO SWITCH, A DIVISION OF HONEYWELL. THIS DRAWING IS NOT TO BE COPIED OR USED WITHOUT THE APPROVAL OF MICRO SWITCH.

THIRD ANGLE PROJECTION



CHARACTERISTICS

ELECTRICAL DATA

SCALE

CONTACT ARRANGEMENT

DO NOT SCALE PRINT

TOLERANCES

APPLY TO DESIGN UNITS. CONVERSIONS ARE ONLY FOR REFERENCE. UNLESS NOTED, TOLERANCES ARE ±

| | DIM. mm | TOL. mm/in | DIM. in | TOL. mm/in |
|--------------|------------|---------------|------------|---------------|
| NO PLACES | X | 1/.04 | X | 0.03 |
| ONE PLACE | X.X | 0.4/.016 | X.X | 0.38/.015 |
| TWO PLACES | X.XX | 0.15/.006 | X.XX | 0.13/.005 |
| THREE PLACES | X.XXX | | X.XXX | |
| ANGLES | | | | |

DESIGN UNITS SI METRIC US CUSTOMARY

WEIGHT

RASTER

FO-52848-A

DRAWN

T S K 17 NOV 81

Mouser Electronics

Authorized Distributor

Click to View Pricing, Inventory, Delivery & Lifecycle Information:

[Honeywell:](#)

[1PA2](#)