

LOC	DIST	REVISIONS					
		P	LTR	DESCRIPTION	DATE	DWN	APVD
AD	00	A3		REVISED PER ECO-15-016047	16NOV2015	NK	RH

SPECIFICATIONS:

MATERIAL

BASE, PPS,UL94V-0, BLACK
 COVER, PPS, UL94V-0, BLACK
 ACTUATOR, PA6T, UL94V-0, WHITE
 FIXED CONTACT/TERMINAL, CU ALLOY-GOLD FLASH OVER NICKEL
 MOVING CONTACT, CU ALLOY, PLATE-GOLD FLASH/NICKEL
 TAPE SEAL-POLYIMIDE FILM, AMBER, SEE P/N TABLE FOR OPTIONS

ELECTRICAL

MAX CONTACT RATING SWITCHING, 100MILLIAMP @ 24 VDC
 MIN CONTACT RATING SWITCHING, .1MICROAMP @ 1 MILLIVOLT
 MAX CONTACT NON-SWITCHING, 1AMP @ 5 VDC
 INITIAL CONTACT RESISTANCE, 50 MILLIOHMS MAX.
 CONTACT RESISTANCE (AFTER ENVIRONMENTAL TEST), 100 MILLIOHMS
 CONTACT RESISTANCE (AFTER GAS TEST), 300 MILLIOHMS
 INSULATION RESISTANCE, 1,000 MEGOHMS MIN. @ 100 VDC
 DIELECTRIC STRENGTH, 500 VAC RMS @ SEA LEVEL
 LIFE EXPECTANCY, 1,000 CYCLES

MECHANICAL

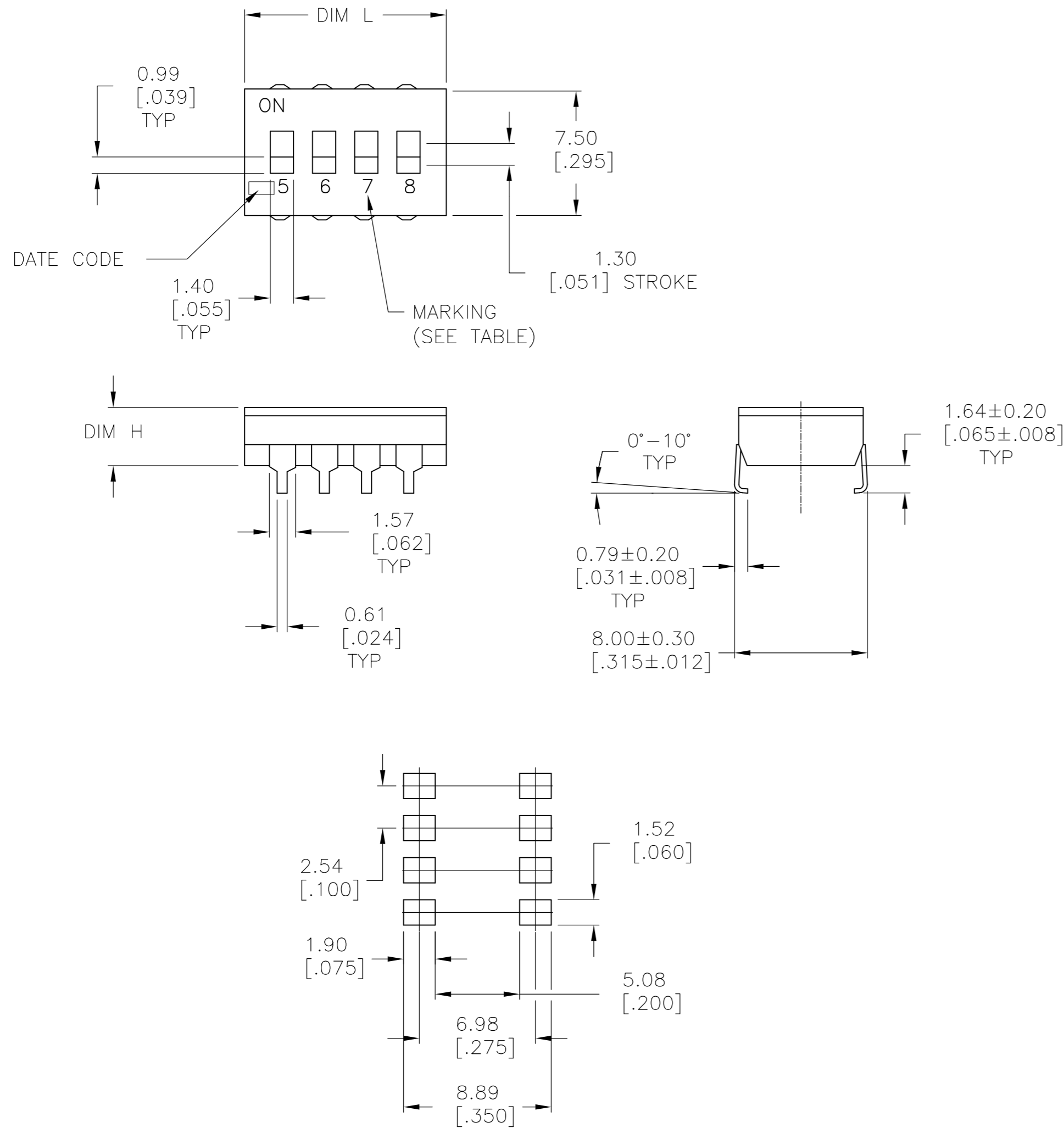
OPERATING FORCE, LESS THAN 800 GRAMS
 CONTACT PRESSURE, 280,000 PSI

ENVIRONMENTAL

OPERATING TEMPERATURE, -30 TO +85 DEGREES C
 STORAGE TEMPERATURE, -45 TO + 100 DEGREES C
 CLEANING, AQUEOUS OR SOLVENT
 SOLDER HEAT RESISTANCE, PER 109-201, COND B, SWITCH "OFF".
 SOLDERABILITY PER JIS C 0050 & JIS C 0053.

- SWITCHES TO BE RECEIVED IN THE "OFF" POSITION AND PACKAGED IN CLEAR TUBES TO ACCOMMODATE AUTO-INSERTION OR PACKAGED ON TAPE AND REEL
- TOP SURFACE TO BE CLEARLY MARKED AS SHOWN
- SWITCHES TO BE BLACK WITH WHITE ACTUATORS AND MARKINGS.
- ALL MATERIALS AND FINISHES SHALL COMPLY WITH EU DIRECTIVE 2002/95/EC OF 27JAN2003 (ROHS)
- TAPE AND REEL PACKAGING PER EIA 481.

△ 6 FOR 1977208-1,-3, DIM: 24.5
 FOR 1977208-2,-4, DIM: 44.4



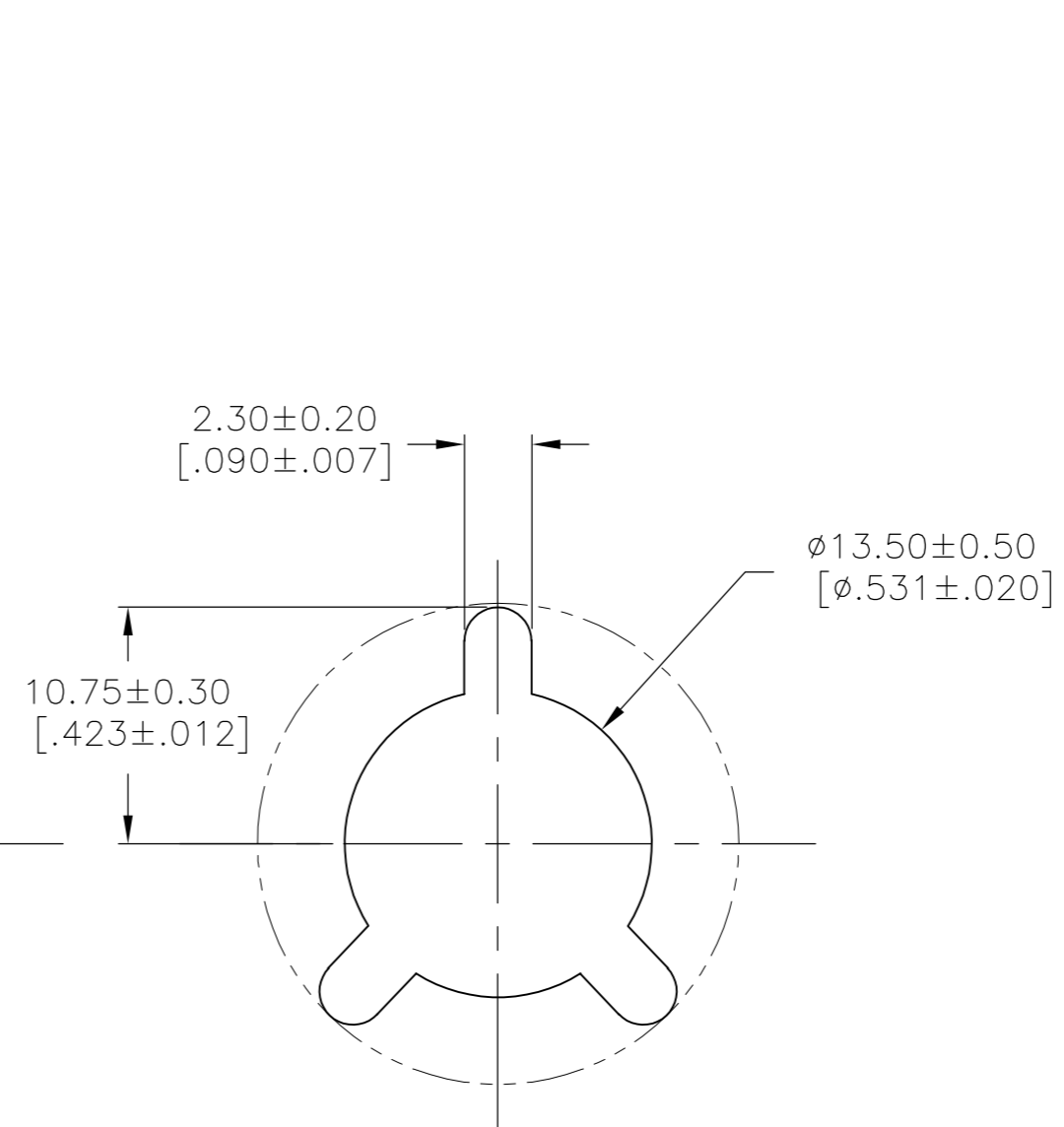
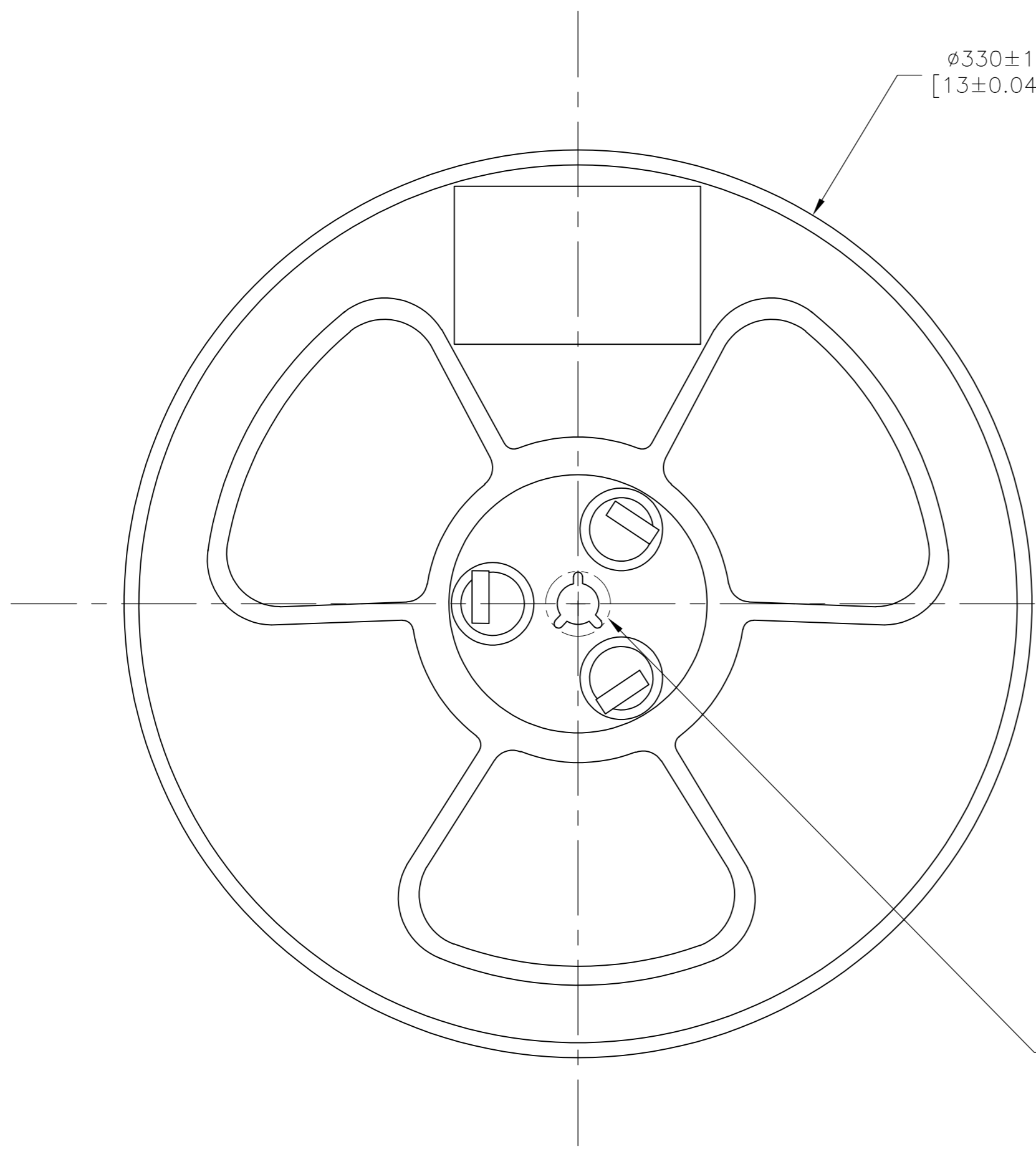
MARKING	PKG.	TAPE SEAL	DIM H	DIM L	POLE	OLD T&B P/N	P/N
1,2,3,4,5,6,7,8,1,2,3,4	T&R	NO	3.61 (.142)	32.50 (1.280)	12	ADF12SATRO4900	1977208-4
5,6,7,8	T&R	NO	3.50 (.138)	12.14 (.478)	4	ADF04SATRO4900	1977208-3
1,2,3,4,5,6,7,8,1,2,3,4	T&R	YES	3.61 (.142)	32.50 (1.280)	12	ADF12SATTRO4900	1977208-2
5,6,7,8	T&R	YES	3.50 (.138)	12.14 (.478)	4	ADF04SATTRO4900	1977208-1

THIS DRAWING IS A CONTROLLED DOCUMENT.		DWN M.BINNER 30AUG07	STE TE Connectivity	
DIMENSIONS: mm [INCHES]		CHK M.SARVER		
TOLERANCES UNLESS OTHERWISE SPECIFIED:		APVD M.SARVER	NAME	
0 PLC ± -		PRODUCT SPEC		
1 PLC ± -		APPLICATION SPEC	DIP SWITCH, ADF-SMT SERIES, SPECIAL	
2 PLC ± 0.30[.012]				
3 PLC ± -		WEIGHT -	SIZE A2	CAGE CODE -
4 PLC ± -		FINISH -	DRAWING NO C=1977208	RESTRICTED TO -
ANGLES ± -			SCALE 4:1	SHEET 1 of 2
MATERIAL -			REV A3	
CUSTOMER DRAWING				

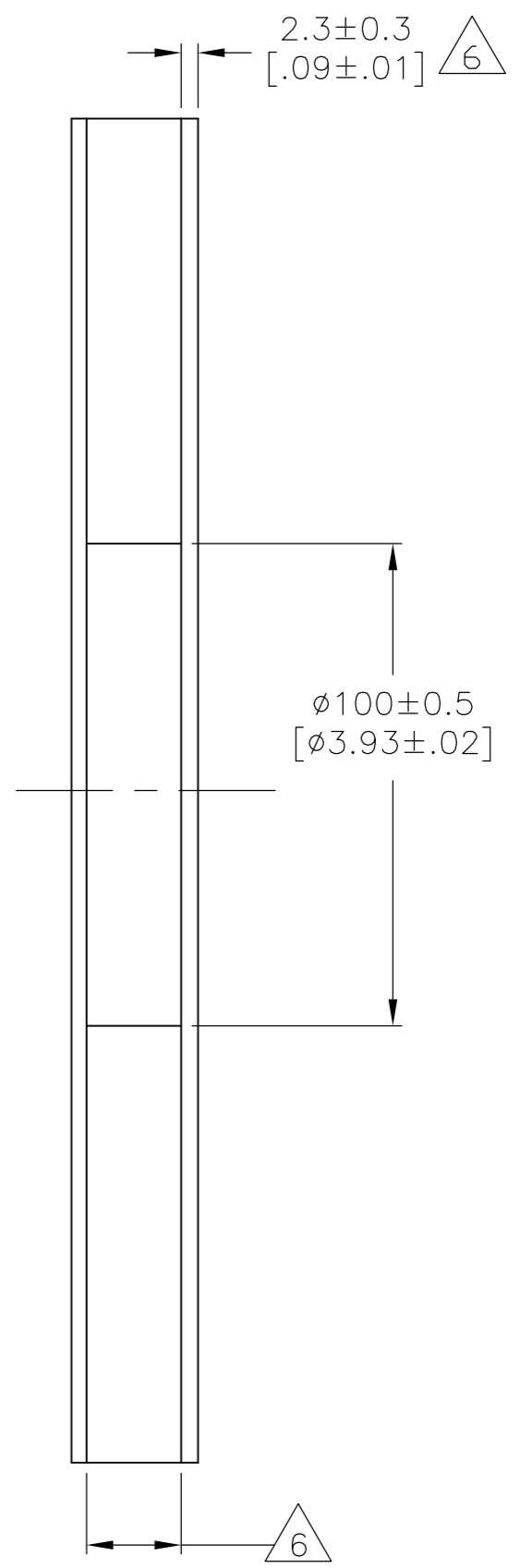
RECOMMENDED PAD LAYOUT

THIS DRAWING IS UNPUBLISHED. RELEASED FOR PUBLICATION 1825059 , 1825059
 © COPYRIGHT 1825059y - ALL RIGHTS RESERVED.

LOC	DIST	REVISIONS			
P	LTR	DESCRIPTION	DATE	DWN	APVD
AD	00	SEE SHEET 1	-	-	-



DETAIL A (5:1)



DETAIL A

THIS DRAWING IS A CONTROLLED DOCUMENT.		DWN	M.BINNER	30AUG07	 TE Connectivity
DIMENSIONS:		CHK	M.SARVER	-	
mm [INCHES]		APVD	M.SARVER	-	
TOLERANCES UNLESS OTHERWISE SPECIFIED:		PRODUCT SPEC	-	-	
0 PLC	± -	APPLICATION SPEC	-	-	NAME
1 PLC	± -	WEIGHT	-	-	DIP SWITCH, ADF-SMT SERIES, SPECIAL
2 PLC	± 0.30 [.012]	MATERIAL	-	-	SIZE
3 PLC	± -	FINISH	-	-	A2
4 PLC	± -				CAGE CODE
ANGLES	± -				-
					DRAWING NO
					C=1977208
					RESTRICTED TO
					-
					SCALE
					4:1
					SHEET
					2 OF 2
					REV
					A3