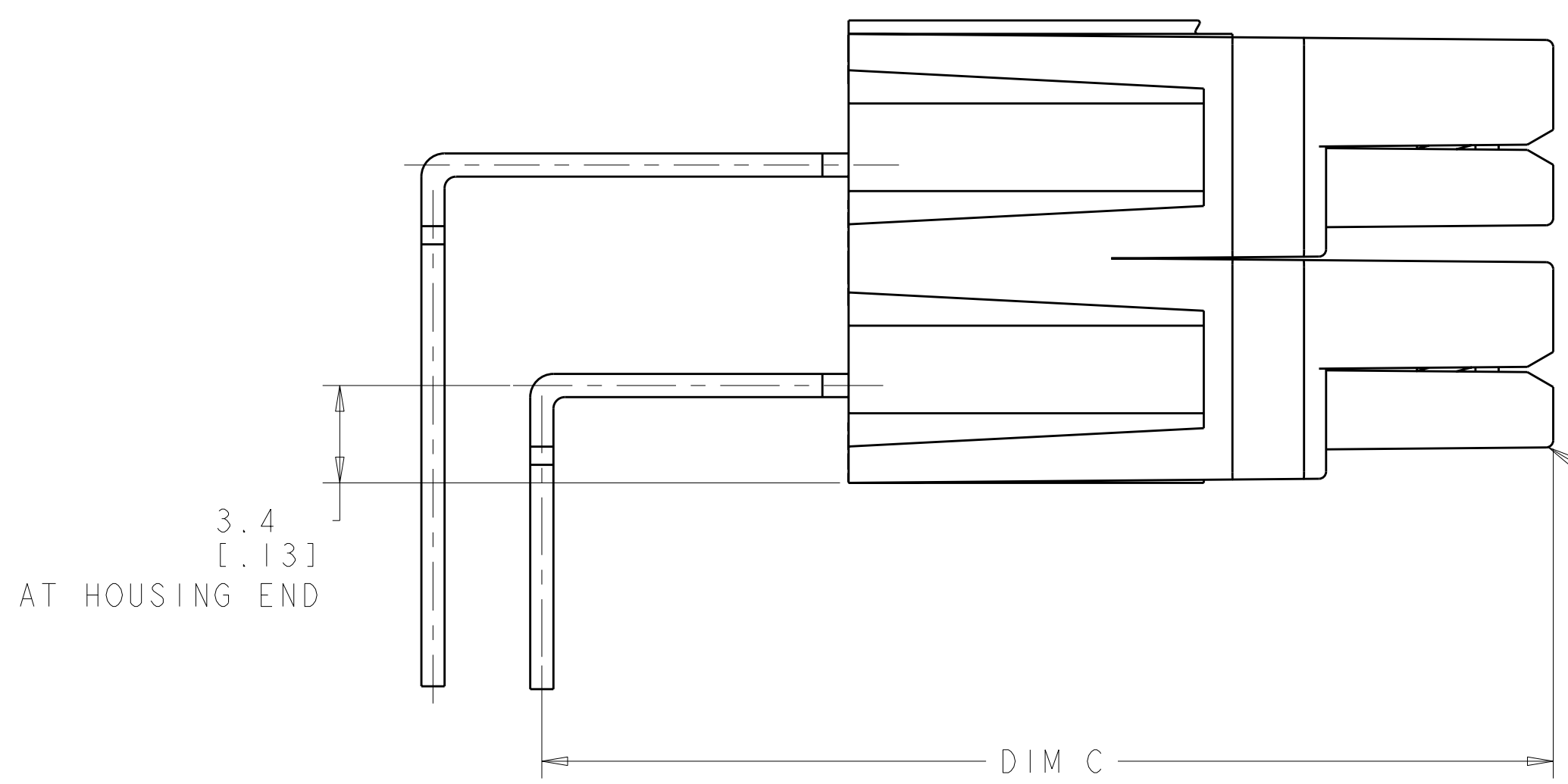
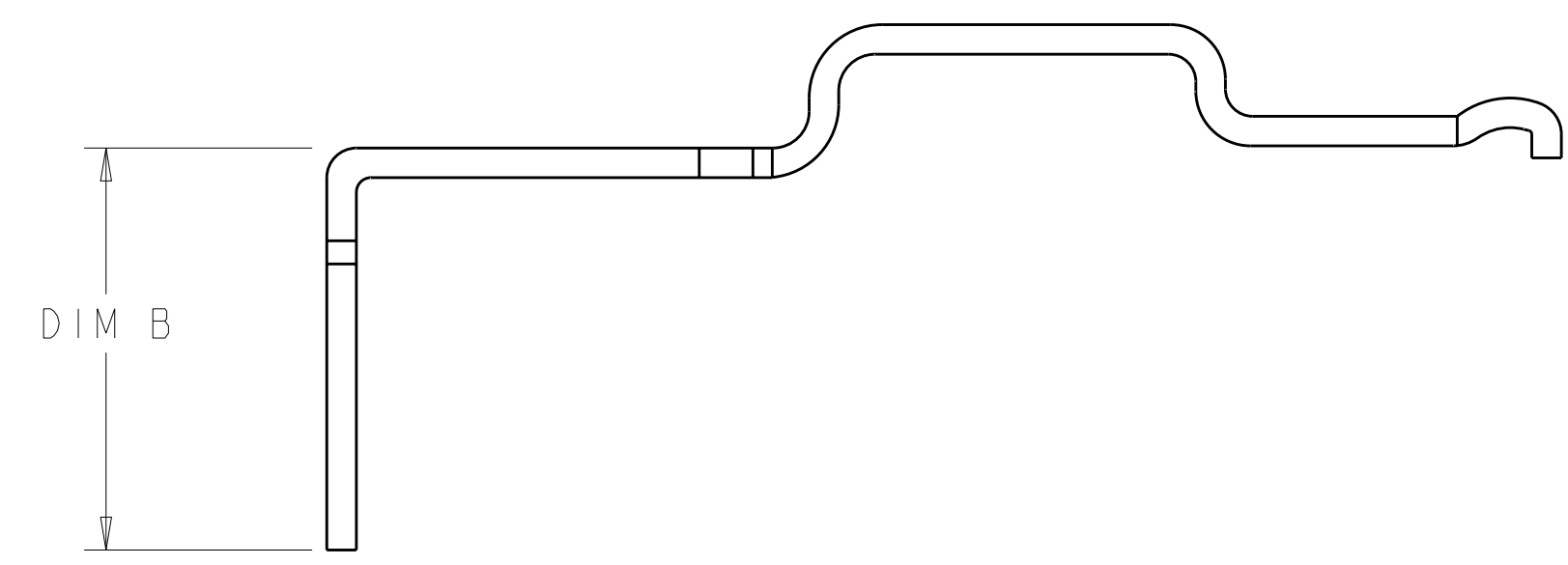
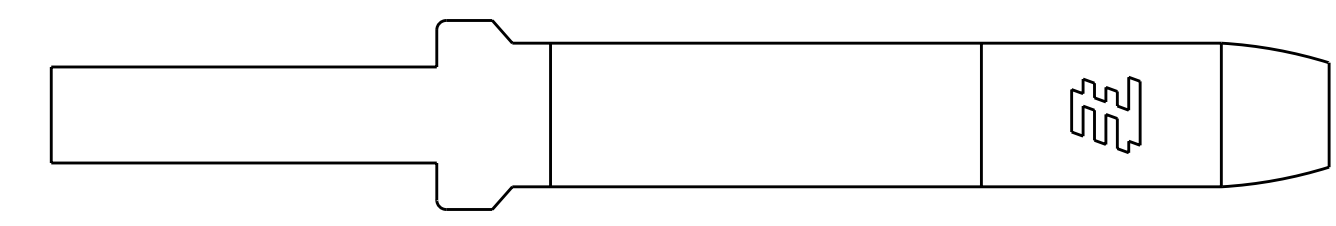
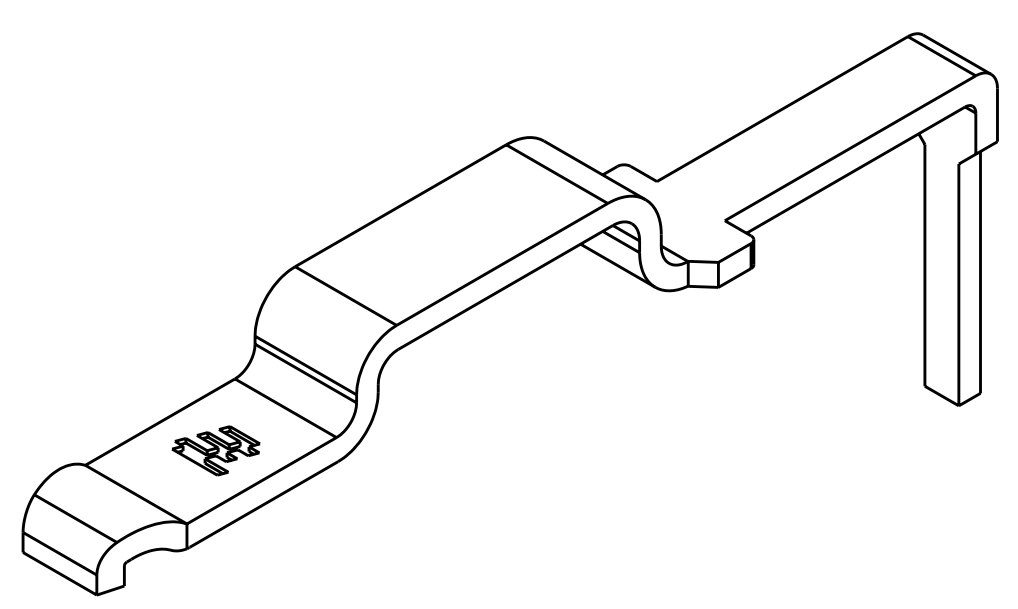
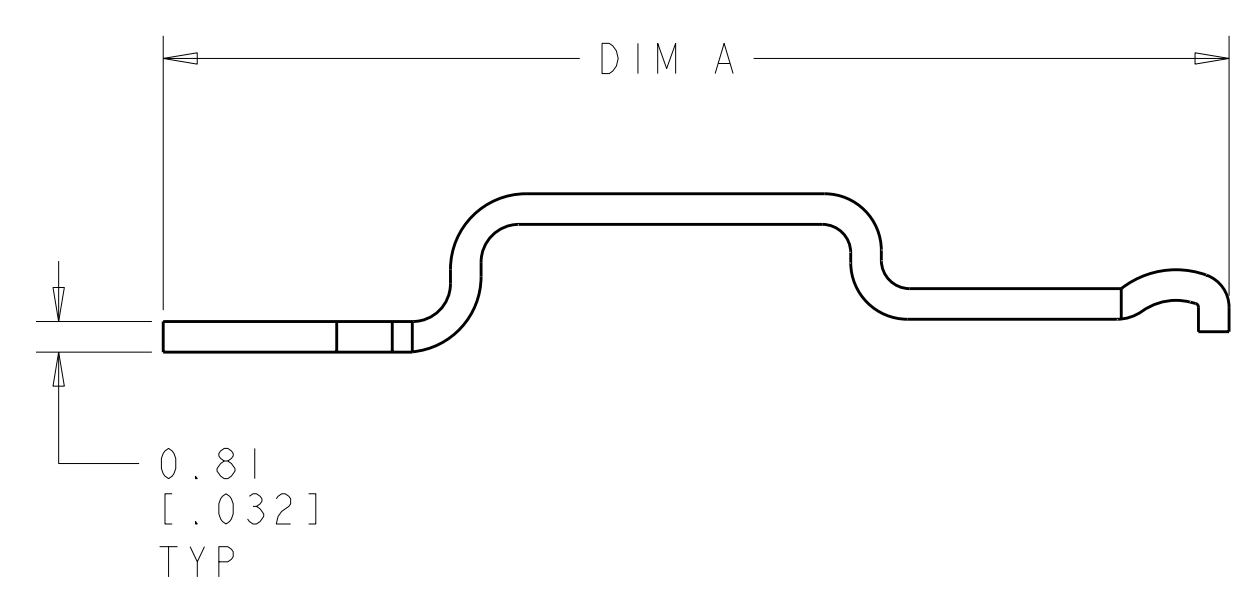
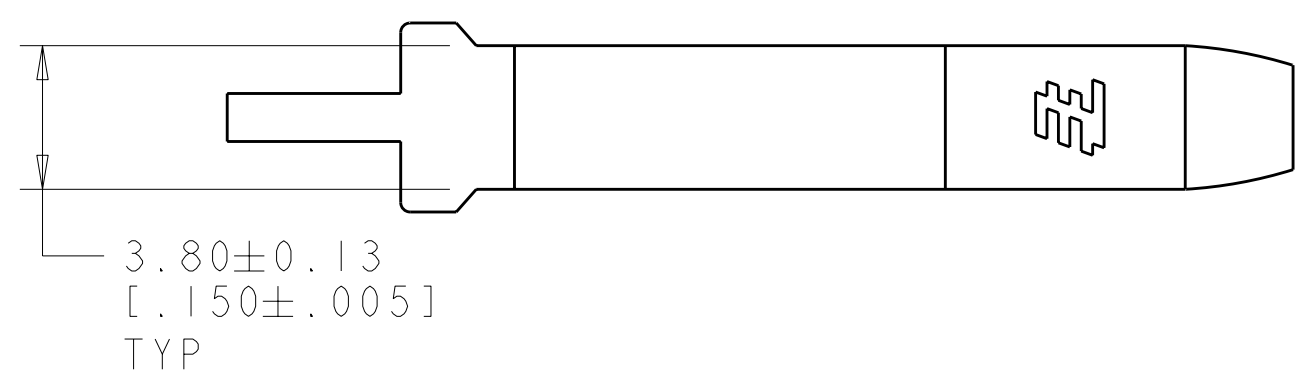
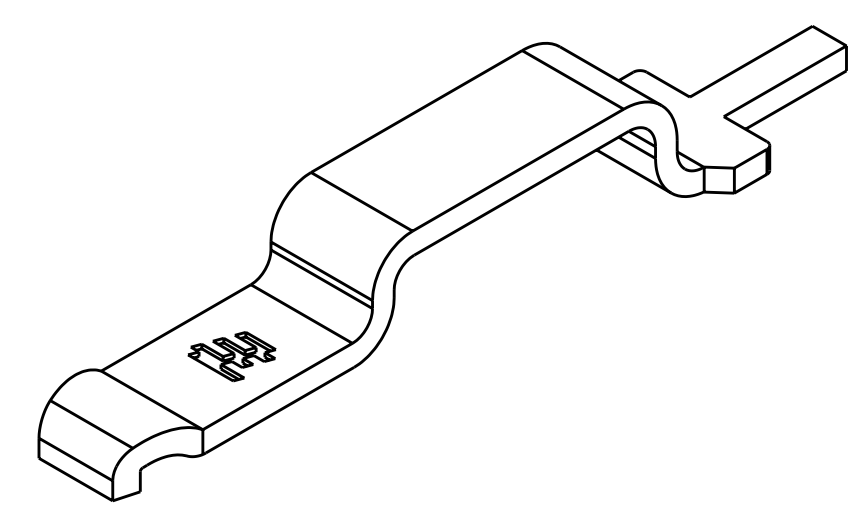
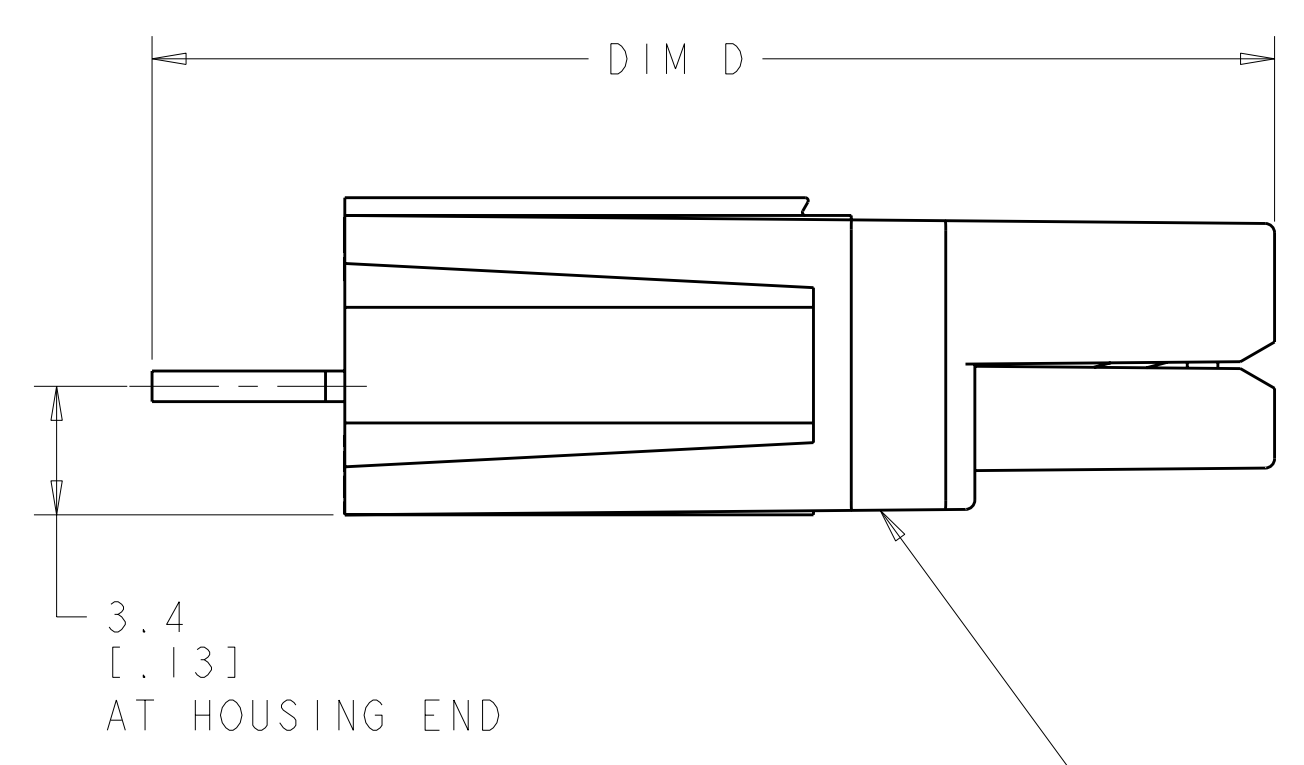
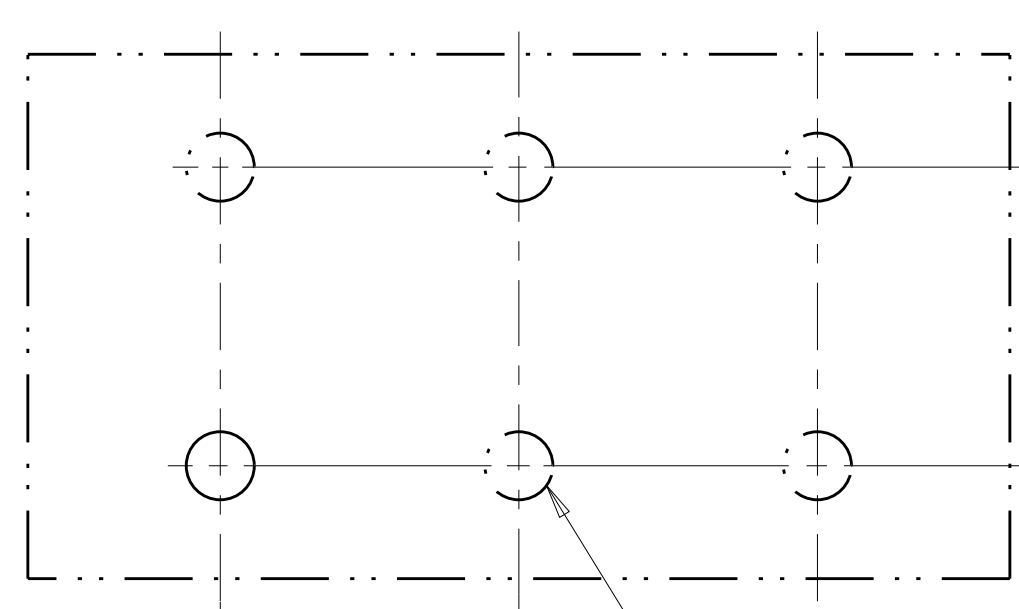


LOC	DIST	REV	DATE	BY	APPD
CM	00	A	27SEP2011	KH	DY
		REVISIONS			
		DESCRIPTION			
		REVISED PER ECO-11-018956			



HOUSINGS 1445957, STACKED VERTICALLY (NOT INCLUDED)



TO BE DETERMINED BY CUSTOMER PER APPLICATION

EXPAND AS NECESSARY PER APPLICATION

7.90
[.311]

RECOMMENDED BOARD LAYOUT

437.32 [0.678]	0.00 [0.000]	38.60 [1.520]	17.80 [0.701]	36.80 [1.449]	1-1744128-2
380.24 [0.589]	0.00 [0.000]	34.50 [1.358]	10.20 [0.402]	33.00 [1.299]	1-1744128-1
395.93 [0.614]	56.40 [2.220]	56.40 [2.220]	0.00 [0.000]	54.90 [2.161]	1744128-3
347.26 [0.538]	44.70 [1.760]	44.70 [1.760]	0.00 [0.000]	43.20 [1.701]	1744128-2
285.50 [0.443]	29.70 [1.169]	29.70 [1.169]	0.00 [0.000]	28.20 [1.110]	1744128-1
SURFACE AREA	DIM D	DIM C	DIM B	DIM A	PART NUMBER



THIS DRAWING IS A CONTROLLED DOCUMENT.

DIMENSIONS: mm [INCHES]

TOLERANCES UNLESS OTHERWISE SPECIFIED:

9 PL	±	
2 PL	±0.51 [0.020]	
3 PL	±0.13 [0.005]	
4 PL	±0.13 [0.005]	
ANGLES	±	0°
FINISH		

MATERIAL: COPPER
FINISH: BRIGHT TIN

APPROVED: D. BOSSI 29 JUL 2008

NAME: R. WHITAKER 29 JUL 2008

PRODUCT SPEC: -

APPLICATION SPEC: -

WEIGHT: -

CUSTOMER DRAWING

SCALE: 5:1

SHEET 1 OF 1

REV A

STE TE Connectivity

PCB CONTACT, 25 AMP, POWER SERIES

SIZE: A100779 C=1744128

Mouser Electronics

Authorized Distributor

Click to View Pricing, Inventory, Delivery & Lifecycle Information:

[TE Connectivity:](#)

[1744128-1](#)