

MICRO SWITCH
a Honeywell Division

FED MFG CODE 91929

ASSEMBLY -
PUSHBUTTON SWITCH

CATALOG LISTING
1PB591

REPLACES X92458-PB

CATALOG LISTING
1PB591
PAGE 1 OF 1

M

DRAWING
NUMBER

3

ISSUE

RELEASE NO. PR-18773-T

CHECK

20 FEB 06

TSG
20 FEB 06

RJ

CHECK

27 NOV '90

DRAW

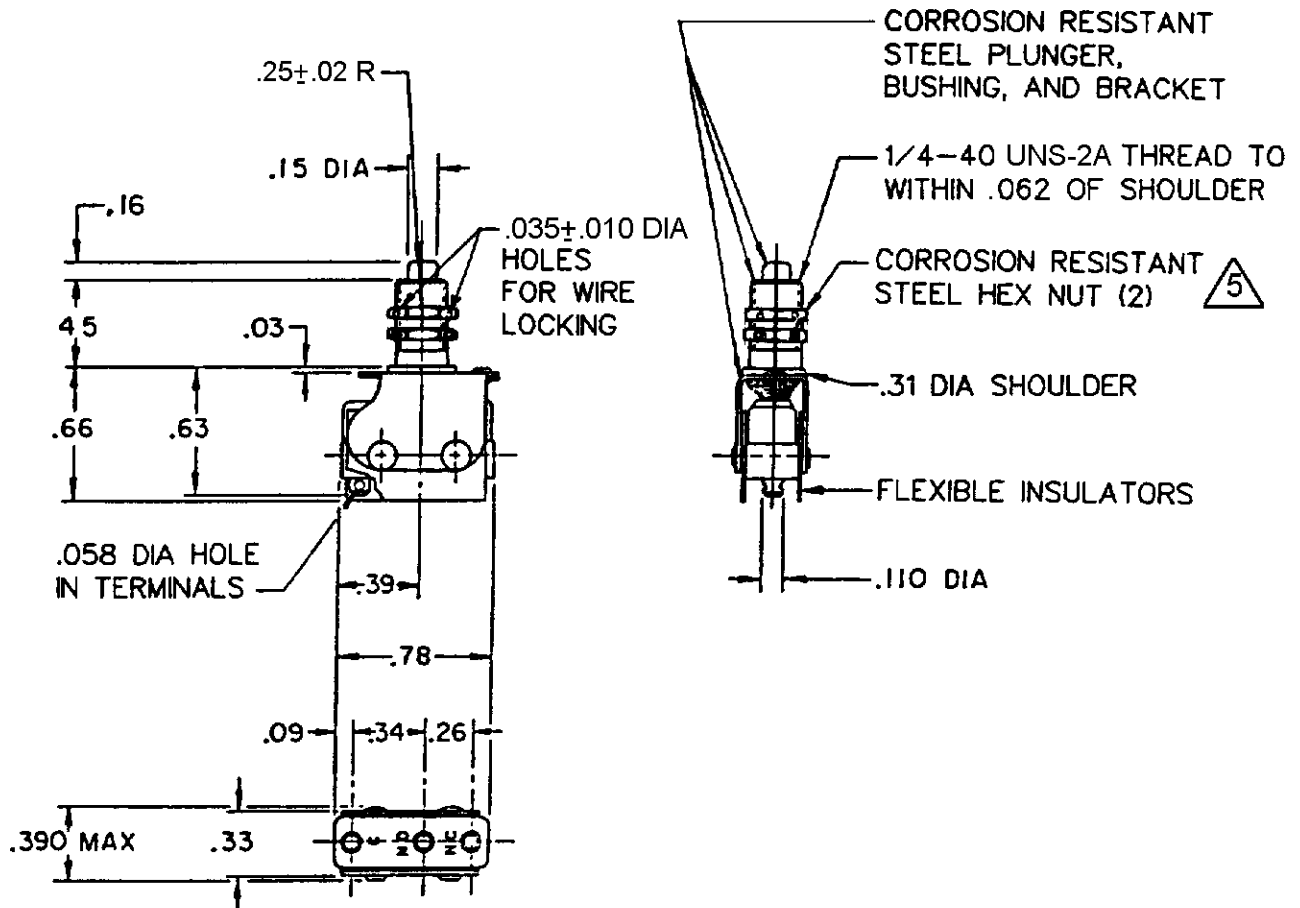
CHECK

26 NOV 90

DRAW

DCS

RASTER



- NOTES
- 1 - UNIT INCLUDES "11SM" BASIC SWITCH
 - 2 - TERMINALS ARE PLATED FOR SOLDERING
 - 3 - RECOMMENDED FOR MANUAL OPERATION ONLY
 - 4 - FOR USE IN TEMPERATURE RANGE -65°F TO +400°F
 - 5 - MOUNTING HARDWARE FURNISHED UNASSEMBLED

THIS DRAWING COVERS A PROPRIETARY ITEM AND IS THE PROPERTY OF MICRO SWITCH, A DIVISION OF HONEYWELL THIS DRAWING IS NOT TO BE COPIED OR USED WITHOUT THE APPROVAL OF MICRO SWITCH.

THIRD ANGLE PROJECTION

CHARACTERISTICS

OPERATING FORCE - - - - - 2 LBS MAX
 OVERTRAVEL FORCE - - - - - 2.5 LBS MAX
 RELEASE FORCE - - - - - 2 OZ MIN
 DIFFERENTIAL TRAVEL - - - - - .031 MAX
 OVERTRAVEL - - - - - .100 MIN

ELECTRICAL DATA

CONTACT ARRANGEMENT
S P D T

250 VAC - - - - - 5 AMP

30 VOLTS DC RATING

INDUCTIVE - - - - - SEA LEVEL - - 3 AMP
 50,000 FT - 25 AMP
 RESISTIVE - - - - - SEA LEVEL - 5 AMP
 50,000 FT - 5 AMP
 MAXIMUM INRUSH - - - - - 24 AMP

SCALE FULL

DO NOT SCALE PRINT

UNLESS OTHERWISE SPECIFIED TOLERANCES ARE

ONE PLACE (.) ±.030
 TWO PLACE (.00) ±.015
 THREE PLACE (.000) ±.005
 ANGLES ±

WEIGHT